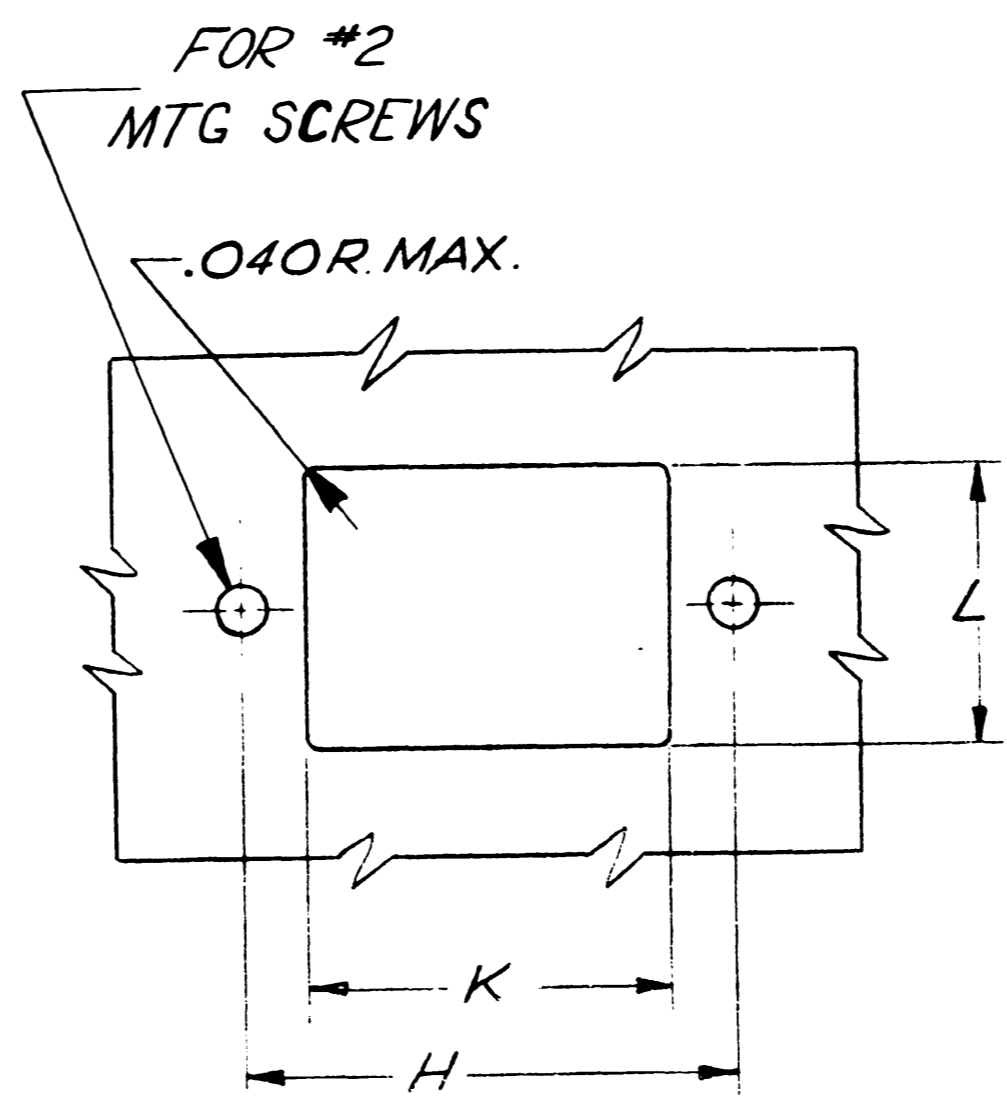
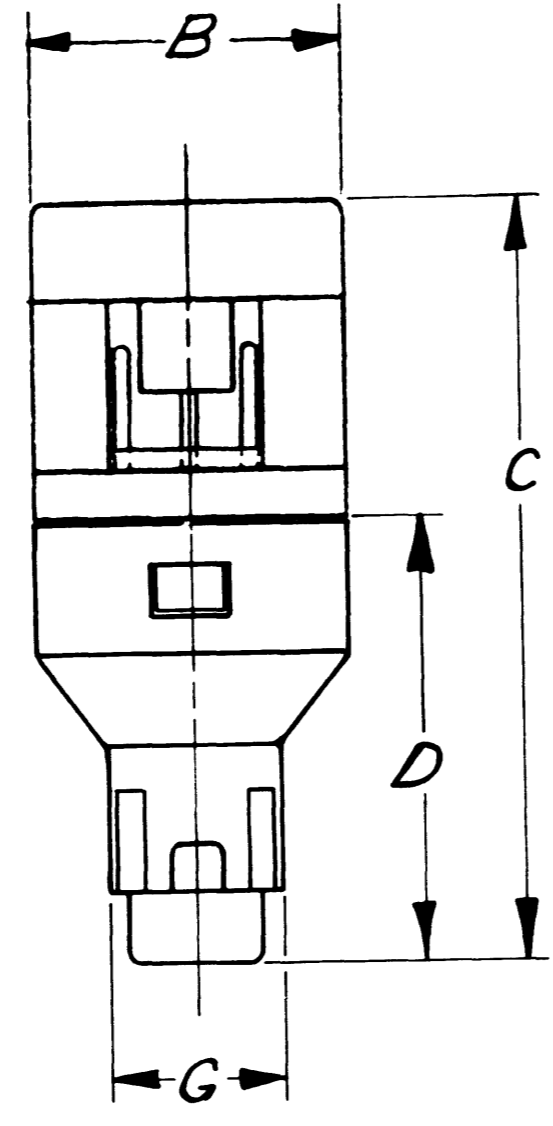
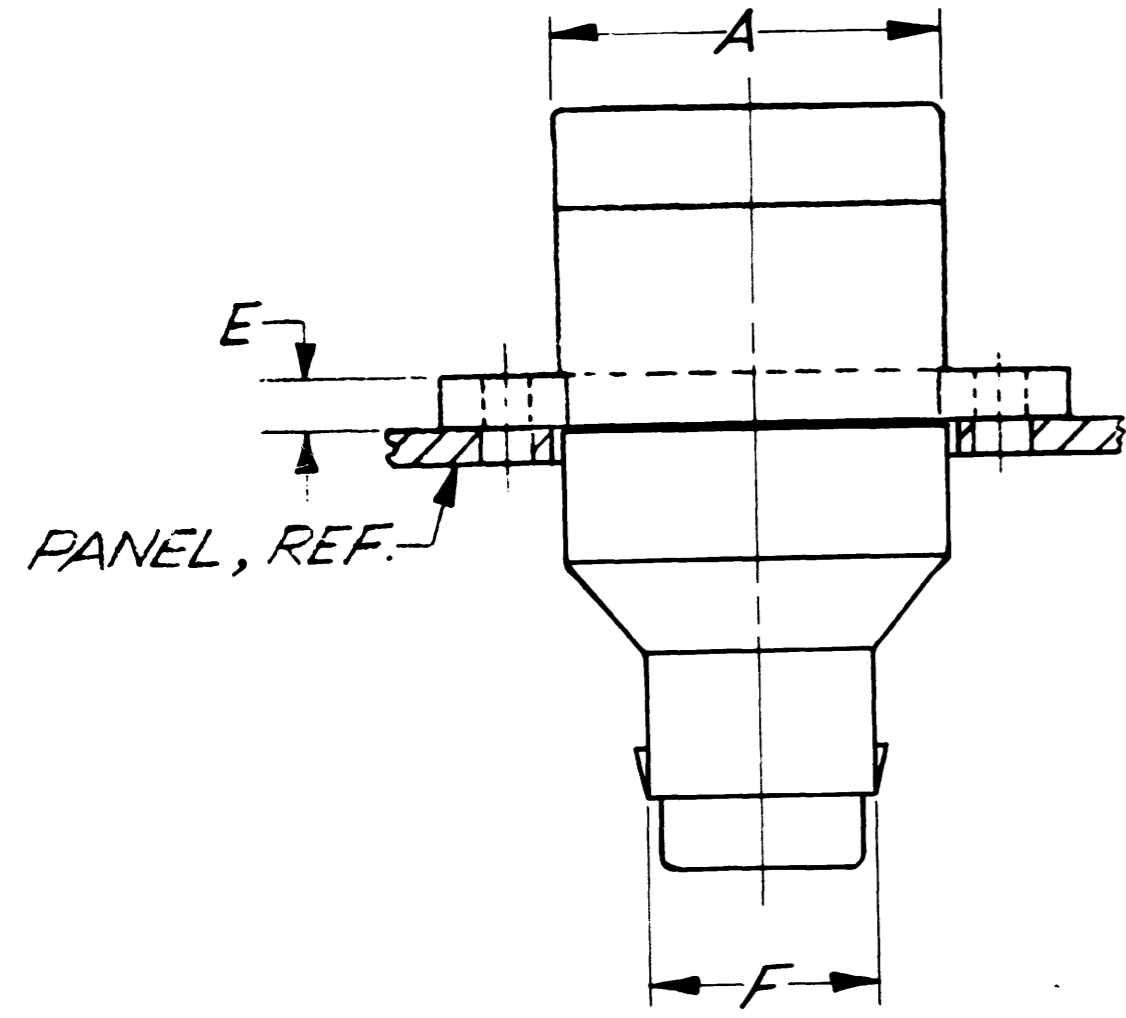
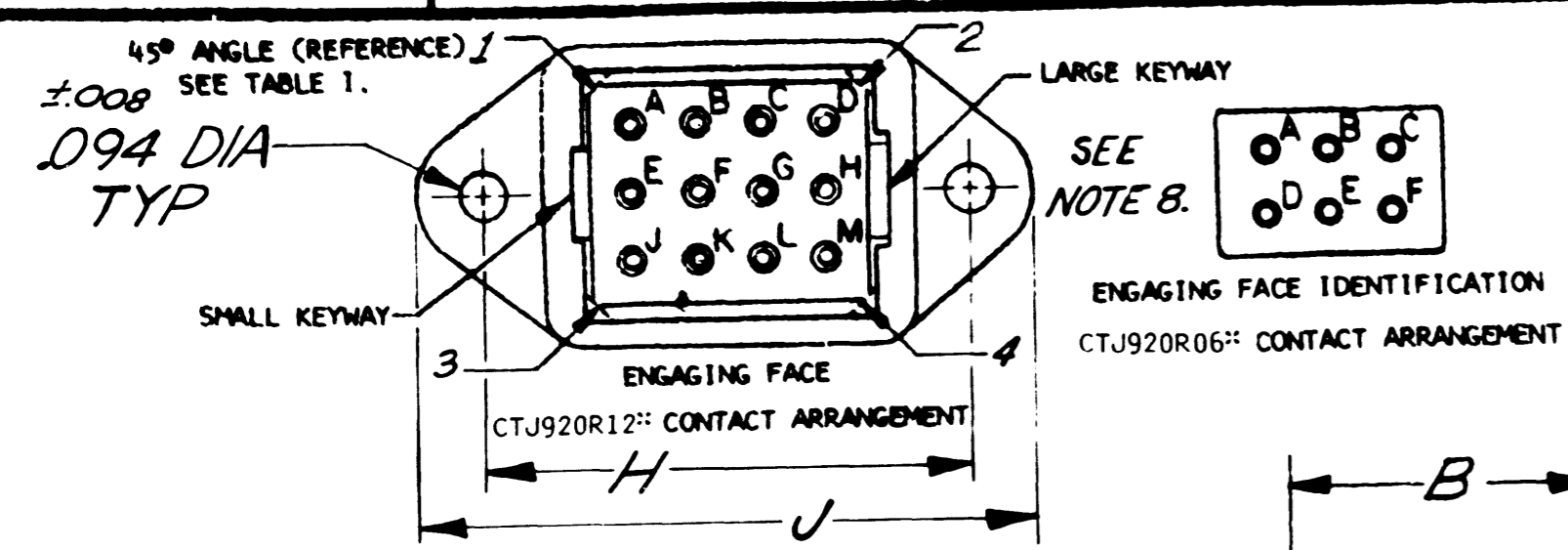


REVISIONS			
REV	DESCRIPTION	DATE	APPROVED
N/C	NEW RELEASE PER E.O. 81912	8/16/76	JDM



RECOMMENDED PANEL CUTOUT.

REV N/C CTJ920R\*\*\*

8. CONTACT IDENTIFICATION LETTERS ARE SHOWN FOR REFERENCE ONLY AND MAY NOT NECESSARILY BE IN TRUE POSITION. GROMMET IDENTIFICATION IS APPROXIMATELY OPPOSITE.
7. EXPLANATION OF PART NUMBER: CTJ 9 20 R \*\*\* \*\*
- BASIC IDENTIFIER
  - RECEPTACLE MODULE
  - CONTACT SIZE (20)
  - REAR ENVIRONMENTAL ASSEMBLY
  - NUMBER OF CONTACTS
  - 06 = 6
  - 12 = 12 (CONSULT FACTORY FOR AVAILABILITY)
  - KEYING POSITION PROVIDED WITH 2 45° CORNERS (REF DASHED LINES) AT INDICATED LOCATIONS ON ENGAGING FACE VIEW AND TABLE I.
  - N STANDARD
  - 1 THRU 3, ALTERNATE (CONSULT FACTORY)
6. MODULE UNMATING TOOL, PART NUMBER CTJ-R00, TO BE ORDERED SEPARATELY.
5. MODULES MEET APPLICABLE PERFORMANCE REQUIREMENTS OF MIL-C-83723, REV B, EXCEPT AS FOLLOWS:  
 CONTACT ENGAGING & SEPARATION FORCES (INITIAL):  
 18 OZ MAX/.7 OZ. MIN.  
 #20 SOCKET CONTACT RETENTION FORCES: 15 LBS. MIN. (AXIAL)  
 USABLE WIRE SIZE: AWG 20 THRU 24.  
 GROMMET WILL SEAL ON SMOOTH INSULATION FROM .040 TO .083" O.D.  
 MODULE MATING FORCE: 6 CONTACT - 19 LBS. MAX., 12 CONTACT - 26 LBS. MAX.

TABLE II.

PART N <sup>o</sup>	NUMBER OF CONTACTS	A±.030	B±.030	C MAX	D MAX	E±.010	F	G	H	J±.030	K	L
CTJ920R06*	6	.650	.470	1.525	1.000	.100	.458	.348	.880	1.180	.665	.485
CTJ920R12*	12	.770	.620	1.525	1.000	.100	.580	.488	1.000	1.300	.785	.635

TABLE I

KEYING POSITION	45° ANGLE LOCATIONS
N	1 & 2
1	3 & 4
2	1 & 3
3	2 & 4

- NOTE:
- MATES WITH MODULE, PLUG, DEUTSCH PART NUMBER CTJ620E\*\*\*.
  - DIMENSIONS ARE SPECIFIED IN INCHES.
  - CONTACT CENTER TO CENTER SPACING .130
  - MATERIAL: HOUSING: PLASTIC, GROMMET: SILICONE ELASTOMER, CONTACTS: COPPER ALLOY, COVER: COPPER ALLOY.

TOLERANCES UNLESS OTHERWISE SPECIFIED DIMENALS: XXX ± .008 ANGLES: ± 0° 30' 0" TIR .010 PARTS TO BE FREE OF BURRS AND SHARP EDGES	SIGNATURE & DATE		MODULE ASSEMBLY RECEPTACLE WITH REAR ENVIRONMENTAL ASSEMBLY 6 & 12 PINS ENVELOPE	CP	MATL CODE
	DR	CHK		The Deutsch Company ELECTRONIC COMPONENTS DIVISION Municipal Airport Banning, California	
MATERIAL	PE	APPD	SCALE	WT	C CTJ920R***
SEE NOTE 4.	W.McDONALD 8-16-76				