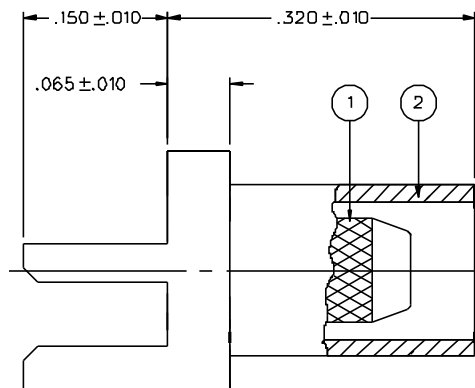
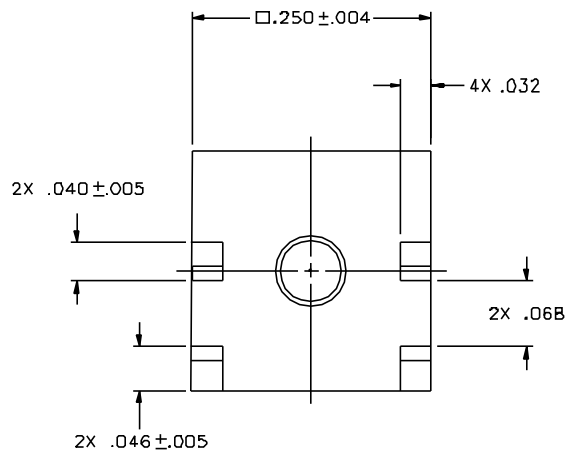
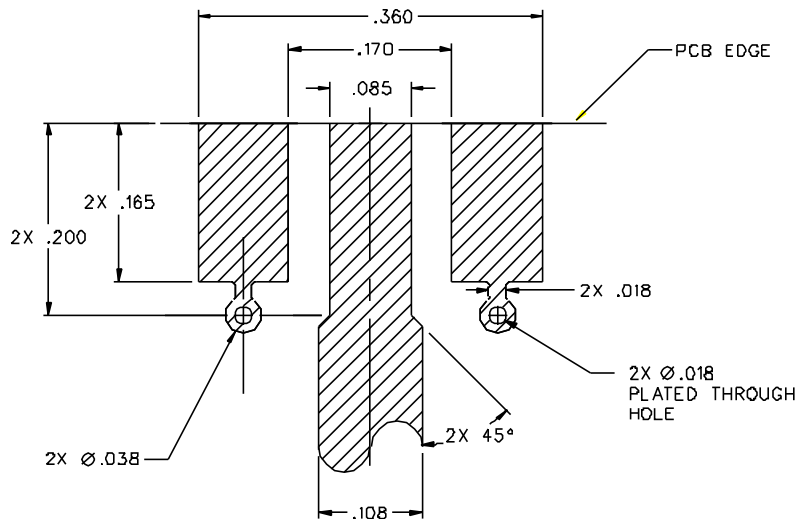


PART NUMBER	ITEM ① BODY	ITEM ② CRIMP SLEEVE
142-0004-BD1	BRASS GOLD PL .00001 MIN OVER NICKEL PL .00005 MIN OVER COPPER PL .00005 MIN	COPPER GOLD PL .00001 MIN OVER NICKEL PL .00005 MIN OVER COPPER PL .00005 MIN
142-0004-BD6	BRASS NICKEL PL .0001 MIN OVER COPPER PL .00005 MIN	COPPER NICKEL PL .0001 MIN OVER COPPER PL .00005 MIN

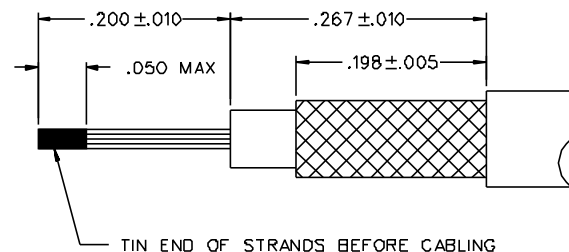
DRAWING NO. C - 142-0004-801/810	
0	REVISIONS
ENGINEERING RELEASE	
1	8-26-98 R H K T T R ECN 45824



DIMENSIONS ARE SYMMETRICAL ABOUT THE CENTERLINE



TRACE WIDTH DIMENSIONS



CABLE STRIP DIMENSIONS

CUSTOMER DRAWING

THIS DRAWING TO BE INTERPRETED PER ANSI Y 14.5M - 1982

"μSTATION"

COMPANY CONFIDENTIAL

NOTES:

1. SPECIFICATIONS:

CABLE ACCEPTABILITY: RG 316/U DOUBLE SHIELDED
RG 188/U DOUBLE SHIELDED
RG 179/U DOUBLE SHIELDED
RG 187/U DOUBLE SHIELDED

CABLE HEX CRIMP SIZE: .151
CABLE RETENTION: 20 LBS
IMPEDANCE: 50 OHMS

TOLERANCE UNLESS OTHERWISE SPECIFIED	DRAWN BY	DATE	JOHNSON <small>Cinch Connectivity Solutions</small>	TITLE
DECIMALS	KAS	5/19/98		
.XX	CHECKED BY	DATE		
.XXX	KAS	8-27-98		
MATL	APPROVED BY	DATE		
	TAK	9-9-98		
FINISH	APPROVED BY	DATE	CODE NO.	DRAWING NO.
	RJB	9-11-98		C - 142-0004-801/810
	RELEASE DATE		SCALE	SHEET
			10:1	2 OF 2

299 Johnson Ave. Ste. 100
Worcester, MA 01093
1-800-247-8256