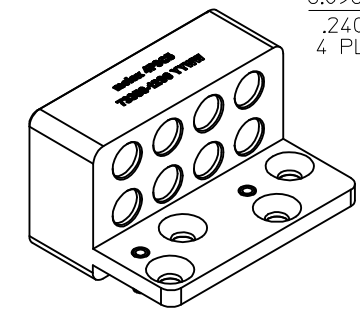
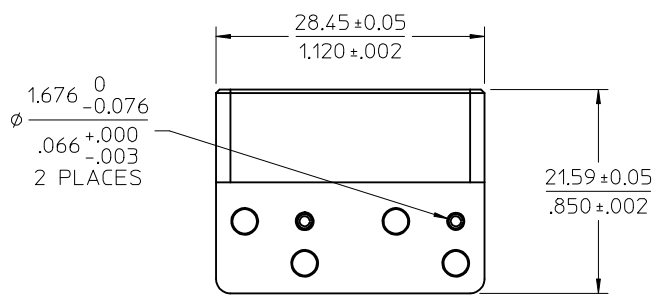
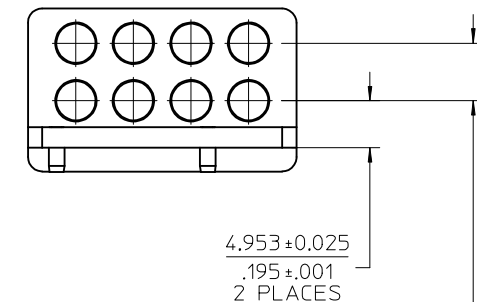
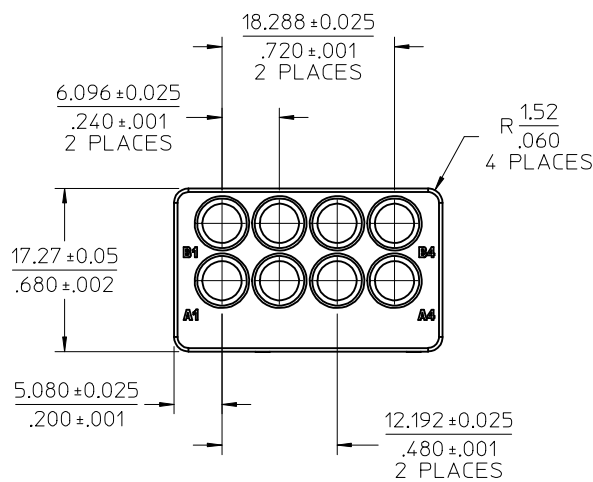
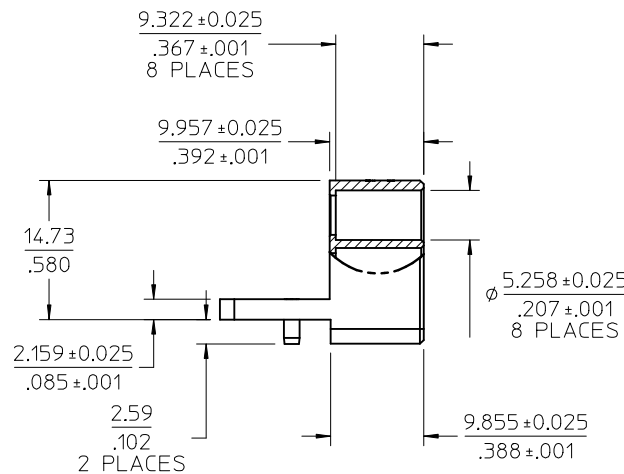
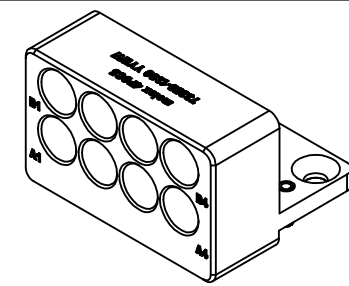
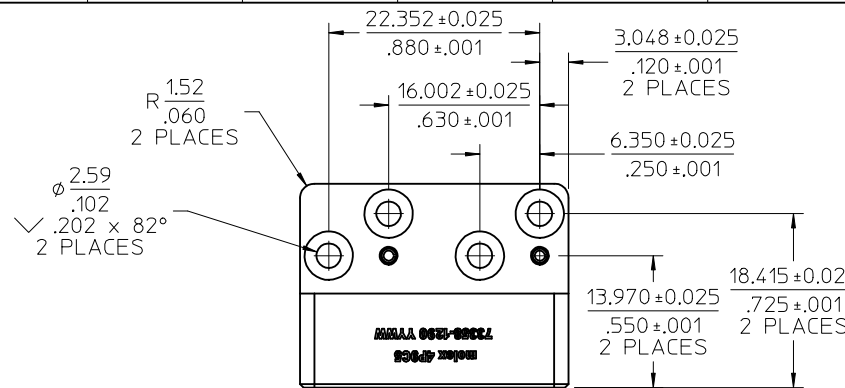


MATERIALS AND FINISHES

HOUSING: ALUMINUM 6061
PLATED ELECTROLESS NICKEL

ALIGNMENT PINS: STAINLESS STEEL
PASSIVATED



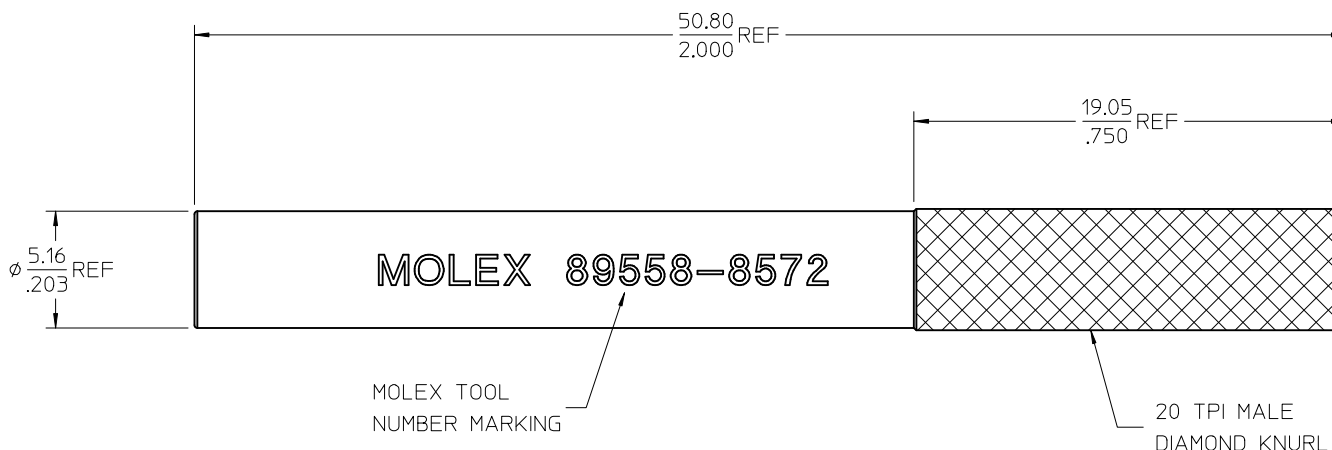
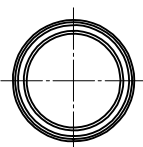
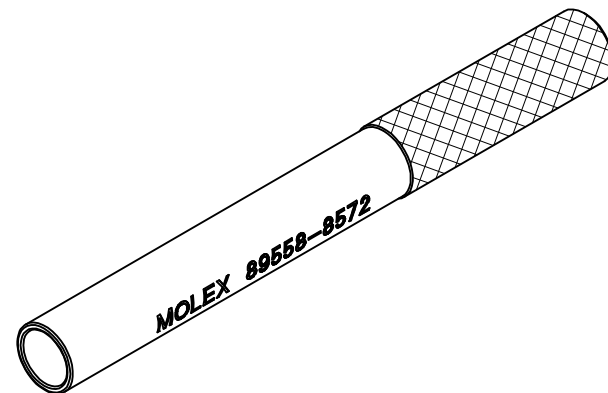
PART # 73358-1290
SEE PS-89675-470 FOR PCB LAYOUT & PLACEMENT

ANSI/VITA 67.2	NATIONAL STANDARD
PS-89675-470	PRODUCT SPECIFICATION
SPECIFICATION	DESCRIPTION

CHG: UPDATE VIEWS TO SHOW CHANGES TO BLOCK. EC NO: URF2016-0744 DRWN:BSHAH 2016/05/02 CHKD:SSS 2016/05/02 APPR:AROBERTSON 2016/05/04 B1	QUALITY SYMBOLS ∇=0 ∇=0 ∇=0	GENERAL TOLERANCES (UNLESS SPECIFIED) 4 PLACES ± --- ± --- 3 PLACES ± --- ± --- 2 PLACES ± --- ± --- 1 PLACE ± --- ± --- 0 PLACE ± --- ± --- ANGULAR ± 2 ° DRAFT WHERE APPLICABLE MUST REMAIN WITHIN DIMENSIONS	DIMENSION STYLE MM/IN	SCALE INCH	DESIGN UNITS INCH	THIRD ANGLE PROJECTION	DRAWN BY AROBERTSON	DATE 2014/01/25	TITLE VITA 67.2 8 PORT MODULE FOR DAUGHTER CARD SMPM-VITA, EWR-5319 molex
							CHECKED BY SSS	DATE 2014/01/25	
							APPROVED BY WSP INK	DATE 2014/02/06	
							MATERIAL NO. 733581290	DOCUMENT NO. SD-73358-129	
							SHEET NO. 1 OF 1		
THIS DRAWING CONTAINS INFORMATION THAT IS PROPRIETARY TO MOLEX INCORPORATED AND SHOULD NOT BE USED WITHOUT WRITTEN PERMISSION									

MATERIAL AND FINISHES

REMOVAL TOOL: STAINLESS STEEL,
PASSIVATED



EXTRACTION TOOL FOR
REMOVING SMPM JACKS
FROM VITA 67 BLOCKS

PART # 89558-8572

CHG: UPDATED DRAWING EC NO: URF2017-0318 DRAWN: LMEIER 2017/03/06 CHKD: SSS 2017/03/06 APPR: AROBERTSON 2017/03/07 REV: A1	QUALITY SYMBOLS	GENERAL TOLERANCES (UNLESS SPECIFIED)	DIMENSION STYLE	SCALE	DESIGN UNITS	THIRD ANGLE PROJECTION
	▽=0	mm INCH	MM/IN	INCH	INCH	
	▽=0	4 PLACES ± --- ± ---	DRAWN BY DATE	TITLE		
	▽=0	3 PLACES ± --- ± ---	LMEIER 2017/02/24	SMPM JACK VITA EXTRACTION TOOL		
		2 PLACES ± --- ± ---	CHECKED BY DATE			
		1 PLACE ± --- ± ---	SSS 2017/02/27			
		0 PLACE ± --- ± ---	APPROVED BY DATE			
		ANGULAR ± 2 °	AROBERTSON 2017/02/28			
		DRAFT WHERE APPLICABLE MUST REMAIN WITHIN DIMENSIONS	MATERIAL NO.	DOCUMENT NO.		SHEET NO.
			895588572	SD-89558-857		1 OF 1
			THIS DRAWING CONTAINS INFORMATION THAT IS PROPRIETARY TO MOLEX INCORPORATED AND SHOULD NOT BE USED WITHOUT WRITTEN PERMISSION			