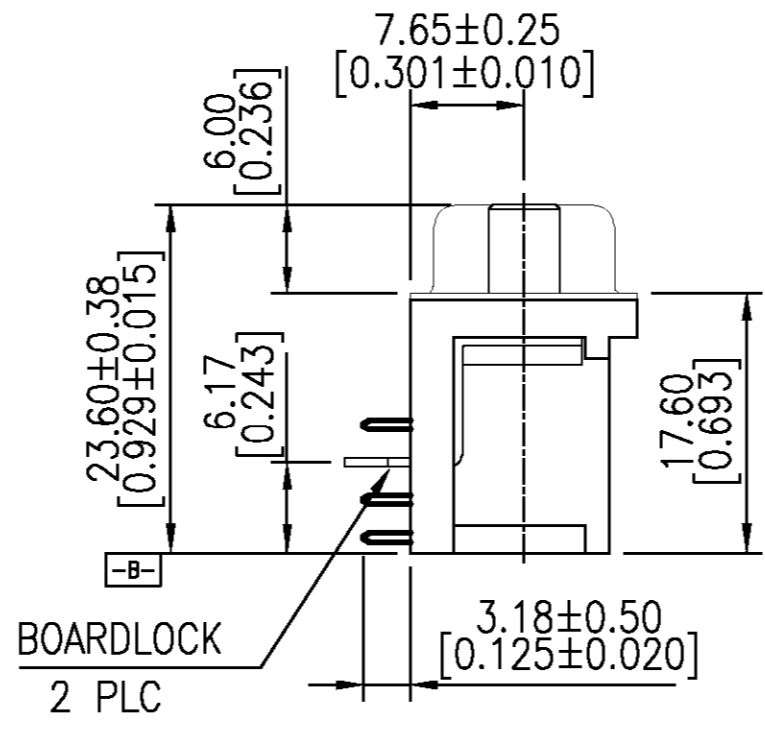
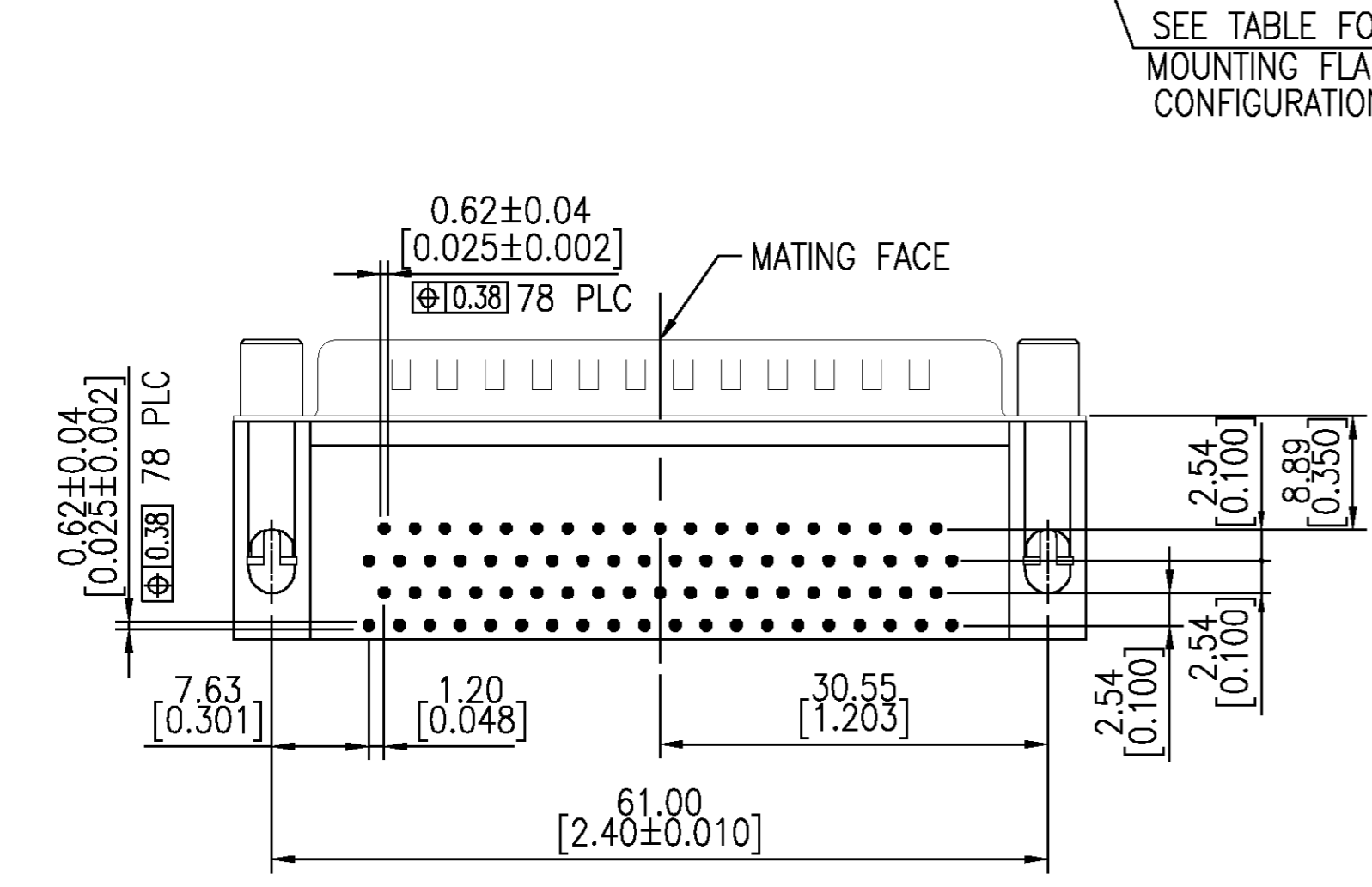
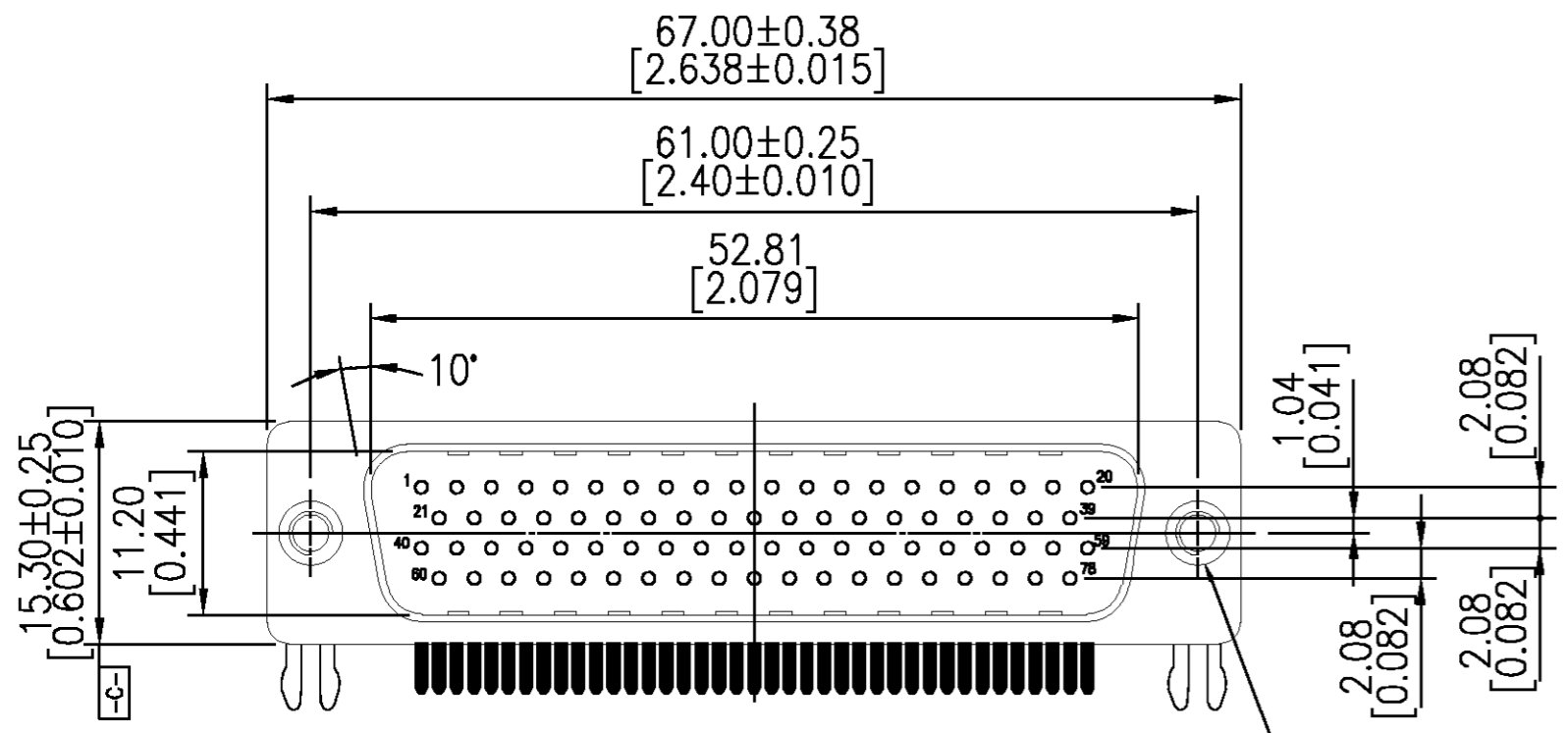
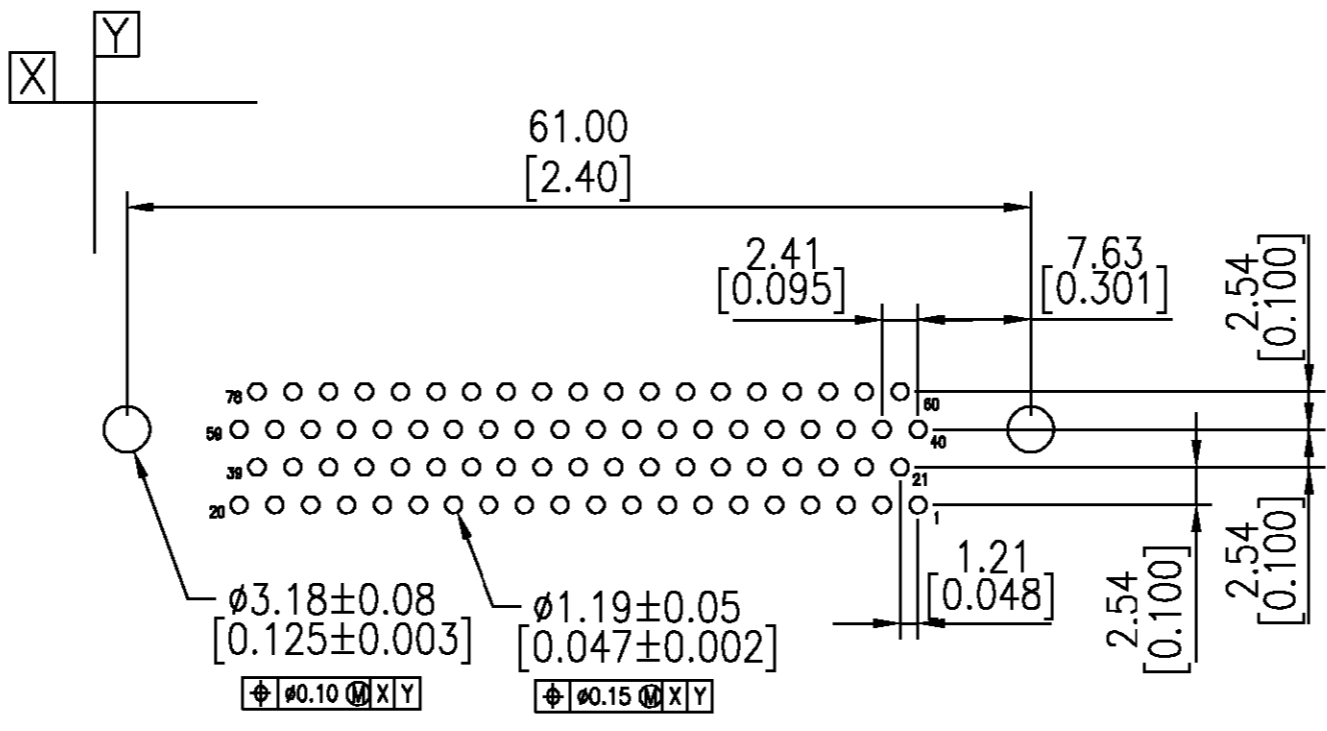
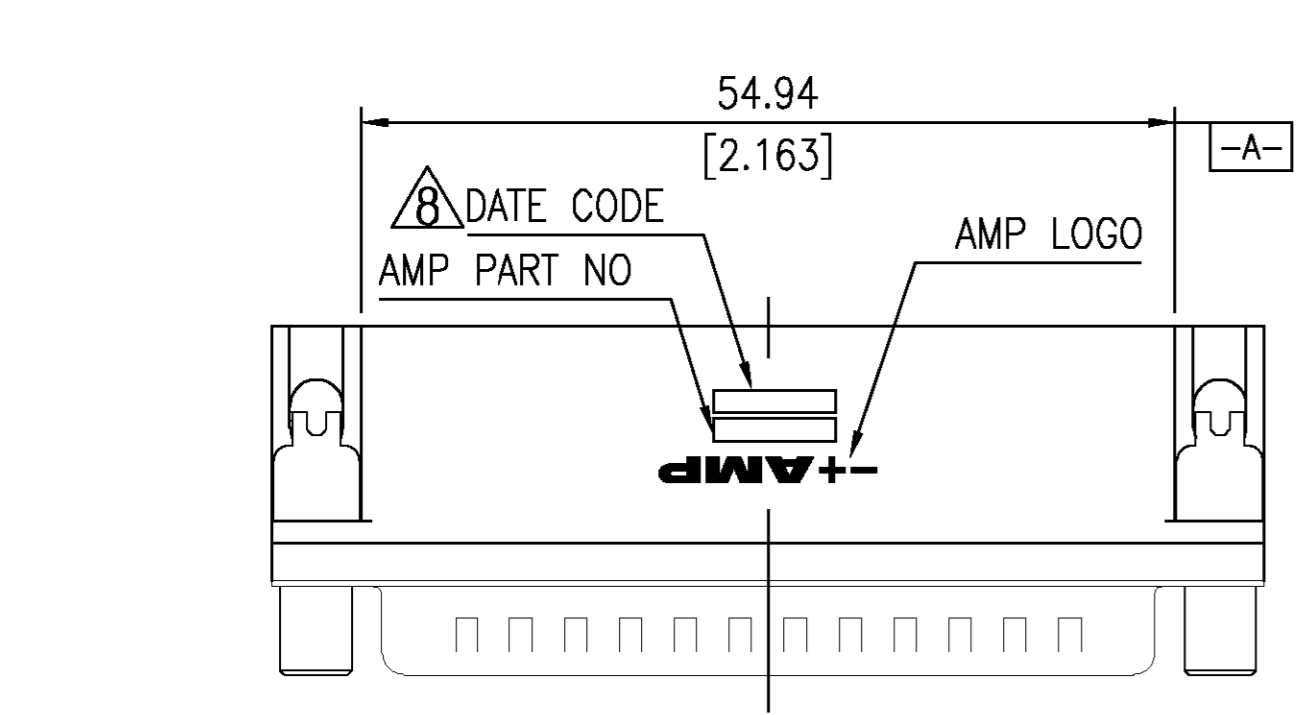


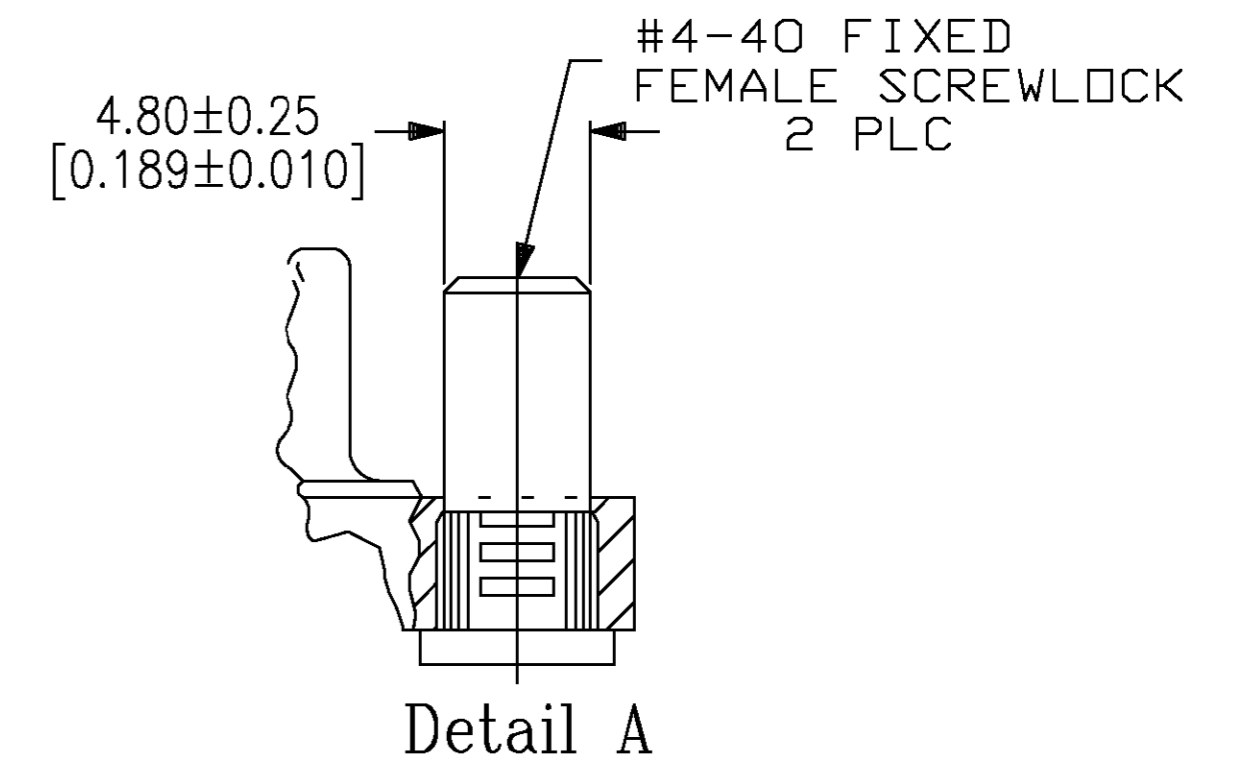
LOC	DIST	REVISIONS					
GP	0	P	LTR	DESCRIPTION	DATE	DWN	APVD
		M		REVISED PER OS13-0092-02	08JULY02	JB	CC

MATERIAL:

1. Housing: PBT , 30 % G.F polyester, Black.
(UL 94V-0 Rated)
 2. Contact: Brass.
 3. Contact Plated: Gold Plated over 50u"
Nickel underplated.
 4. Solder Tail: Sn/Pb Plated 120u" over 50u"
Nickel underplated.
 5. Shell: Steel, Nickel Plated.
 6. Boardlock: Brass, Tin or Sn/Pb Plated 100u"
 7. Female Screwlock: Brass, Nickel plated 30u" Min.
- ⊠ Four digit date code in this format.



01 45
 Year Manufacturing Week



Tray	Detail A	Gold flash	749234-4
Tray	Detail A	15 μ"	749234-3
Tray	Detail A	30 μ"	749234-1
Packaging	Mounting Flange Config	Contact Finish	AMP Part NO.

THIS DRAWING IS A CONTROLLED DOCUMENT.		DWN: J.BURWELL	08JULY02	Tyco Electronics Corporation	
DIMENSIONS: MM		CHK: C.CASH	08JULY02	AMPLIMITE HD-22 78 POS PLUG, RIGHT ANGLE	
TOLERANCES UNLESS OTHERWISE SPECIFIED:		APVD: -	NAME: -	SIZE: A2	CAGE CODE: 00779
0 PLC	± -	PRODUCT SPEC: -	APPLICATION SPEC: -	DRAWING NO: 749234	RESTRICTED TO: -
1 PLC	± 0.30	WEIGHT: -	SCALE: 3:1	SHEET: 1 OF 1	REV: M
2 PLC	± 0.20	CUSTOMER DRAWING			
3 PLC	± 0.10				
4 PLC	± -				
ANGLES	± 2°				
MATERIAL:	FINISH:				