

### DESCRIPTION

The MP8868 is a high-frequency, synchronous, rectified, stepdown, switch-mode converter with an I<sup>2</sup>C control interface. Its fully integrated solution achieves a 10A output current with excellent load and line regulation over a wide input-supply range.

The reference voltage level is controlled on-the-fly by the I<sup>2</sup>C serial interface with the reference voltage range adjustable from 0.6V to 1.87V in 10mV steps. In addition, the voltage scaling slew rate, the switching frequency, enable, and power-save mode are selectable through the I<sup>2</sup>C interface.

Current-mode operation provides fast transient response and eases loop stabilization. EN/SYNC supports external clock synchronization, and an open-drain power good pin indicates when the output voltage is in the nominal range. Full protection features include:

- Over-voltage protection (OVP)
- Hiccup over-current protection (OCP)
- Thermal shutdown

The MP8868 requires a minimal number of readily available, standard, external components, and it is available in a QFN-14 (3x4mm) package.

### FEATURES

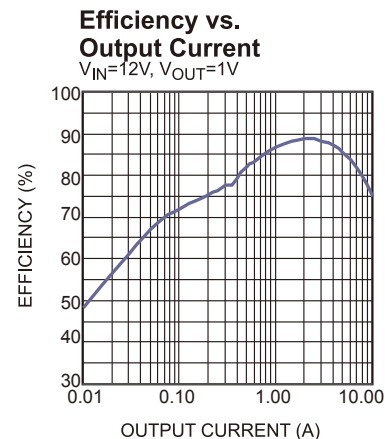
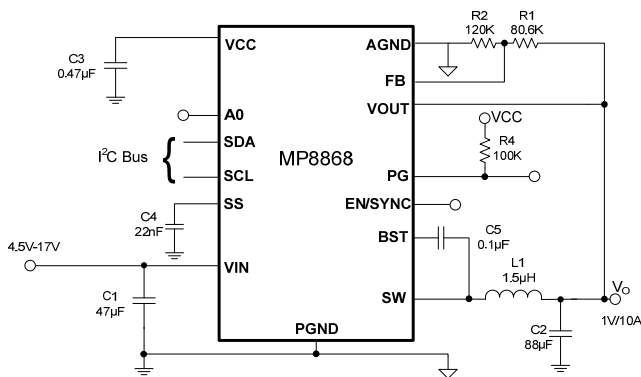
- Wide 4.5V-to-17V Operating Input Range
- 1% Internal Reference Accuracy
- I<sup>2</sup>C Programmable Reference Output Voltage
- Range from 0.6V to 1.87V in 10mV Steps with Slew Rate Control
- I<sup>2</sup>C Selectable Switching Frequency
- 200kHz-2MHz Synchronized External Clock
- OTP, OCP Hiccup Indication Via I<sup>2</sup>C
- Selectable PSM and Fs Through I<sup>2</sup>C
- Programmable Soft-Start Time
- Open-Drain Power Good Indicator
- Small 3x4mm QFN14 Package

### APPLICATIONS

- SoC and Media Processors
- FPGA-based Systems
- ASIC Supplies
- Distributed Power Systems

All MPS parts are lead-free, halogen free, and adhere to the RoHS directive. For MPS green status, please visit MPS website under Quality Assurance. "MPS" and "The Future of Analog IC Technology" are Registered Trademarks of Monolithic Power Systems, Inc.

### TYPICAL APPLICATION



### ORDERING INFORMATION

Part Number*	Package	Top Marking
MP8868GLE	QFN-14 (3mmx4mm)	See Below

\* For Tape & Reel, add suffix -Z (e.g. MP8868GLE-Z);

### TOP MARKING

**MPYW**

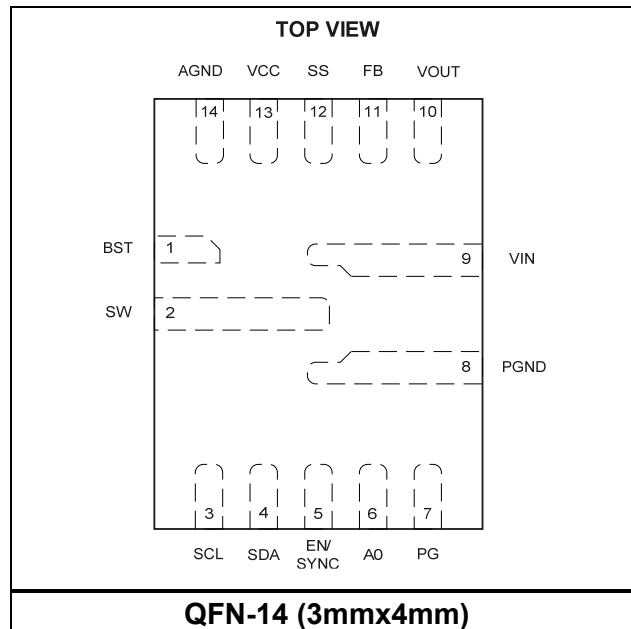
**8868**

**LLL**

**E**

MP: MPS prefix;  
 Y: year code;  
 W: week code;  
 8868: first four digits of the part number;  
 LLL: lot number;  
 E: product code;

### PACKAGE REFERENCE



**ABSOLUTE MAXIMUM RATINGS** <sup>(1)</sup>

$V_{IN}$ .....	-0.3V to 19V
$V_{SW}$ .....	-0.3V (-6V for <10ns) to 20V (24V for <10ns)
$V_{BST}$ .....	$V_{SW}+5.5V$
All Other Pins.....	-0.3V to 5.5V <sup>(2)</sup>
Continuous Power Dissipation ( $T_A = +25^\circ C$ ) <sup>(3)</sup>	
QFN 3x4.....	2.6W
Junction Temperature.....	150°C
Lead Temperature.....	260°C
Storage Temperature.....	-65°C to 150°C

**Recommended Operating Conditions** <sup>(4)</sup>

Supply Voltage $V_{IN}$ .....	4.5V to 17V
Output Voltage $V_{OUT}$ .....	0.6V to $V_{IN} \times D_{MAX}$ or 5.5V <sup>(5)</sup>
Operating Junction Temp. ( $T_J$ ).....	-40°C to +125°C

<b>Thermal Resistance</b> <sup>(6)</sup>	$\theta_{JA}$	$\theta_{JC}$
QFN (3x4).....	48.....	11... °C/W

**Notes:**

- 1) Exceeding these ratings may damage the device.
- 2) About the details of EN pin's ABS MAX rating, please refer to Page 15, Enable/SYNC control section.
- 3) The maximum allowable power dissipation is a function of the maximum junction temperature  $T_J$  (MAX), the junction-to-ambient thermal resistance  $\theta_{JA}$ , and the ambient temperature  $T_A$ . The maximum allowable continuous power dissipation at any ambient temperature is calculated by  $P_D$  (MAX) =  $(T_J$  (MAX)- $T_A$ )/ $\theta_{JA}$ . Exceeding the maximum allowable power dissipation will cause excessive die temperature, and the regulator will go into thermal shutdown. Internal thermal shutdown circuitry protects the device from permanent damage.
- 4) The device is not guaranteed to function outside of its operating conditions.
- 5) The output voltage can't exceed 5.5V absolute maximum value at any input condition.
- 6) Measured on JESD51-7, 4-layer PCB.

**ELECTRICAL CHARACTERISTICS**

$V_{IN} = 12V$ ,  $T_J = -40^{\circ}C$  to  $125^{\circ}C$ <sup>(7)</sup>, unless otherwise noted, typical value is based on average value when  $T_J=25^{\circ}C$ .

Parameter	Symbol	Condition	Min	Typ	Max	Units
Supply Current (Shutdown)	$I_{IN}$	$V_{EN} = 0V$		9	13	$\mu A$
Supply Current (Quiescent)	$I_q$	$V_{EN} = 2V$ , No Switching, PFM mode		560	800	$\mu A$
HS Switch-On Resistance	$HS_{RDS-ON}$	$V_{BST-SW} = 5V$		26		$m\Omega$
LS Switch-On Resistance	$LS_{RDS-ON}$	$V_{CC} = 5V$		11		$m\Omega$
Switch Leakage	$SW_{LKG}$	$V_{EN} = 0V$ , $V_{SW} = 12V$ or $0V$ , $T_J = 25^{\circ}C$			1	$\mu A$
High Side Current Limit <sup>(8)</sup>	$I_{LIMIT\_H}$	Under 40% Duty Cycle	11.7	14		A
Oscillator Frequency	$f_{SW}$	$T_J = 25^{\circ}C$	400	500	570	kHz
		$T_J = -40^{\circ}C$ to $125^{\circ}C$	350		600	
Fold-Back Frequency	$f_{VOUT}$	$V_{FB} = 150mV$		0.5		$f_{SW}$
SYNC Frequency Range	$f_{SYNC}$		200		2000	kHz
Maximum Duty Cycle	$D_{MAX}$	$V_{FB} = 500mV$ , $fs=500kHz$	93	95		%
Minimum On Time <sup>(8)</sup>	$t_{ON\_MIN}$			40		ns
FB Voltage	$V_{FB}$	$T_J = 25^{\circ}C$	594	600	606	mV
		$T_J = -40^{\circ}C$ to $85^{\circ}C$ <sup>(8)</sup>	588		612	
VOUT	$V_{OUT}=1.2V$	$T_J = 25^{\circ}C$	1188	1200	1212	mV
	$V_{OUT}=1.2V$	$T_J = -40^{\circ}C$ to $85^{\circ}C$ <sup>(8)</sup>	1182		1218	
FB pin Current	$I_{FB}$	$V_{FB} = 620mV$		10	50	nA
A0 pin High Level	$V_{ADD\_H}$		2			V
A0 pin Low Level	$V_{ADD\_L}$				0.4	V
EN Pull-up Current	$I_{EN\_PU}$	$V_{EN} = 0V$ , $T_J = 25^{\circ}C$	4.3	6.2	7.5	$\mu A$
		$V_{EN} = 0V$ , $T_J = -40^{\circ}C$ to $125^{\circ}C$	3.2		8	
EN Rising Threshold	$V_{EN\_Rise}$	$T_J = 25^{\circ}C$	1.28	1.4	1.5	V
		$T_J = -40^{\circ}C$ to $125^{\circ}C$	1.26		1.52	
EN Hysteresis	$V_{EN\_HYS}$	$T_J = 25^{\circ}C$	120	170	220	mV
		$T_J = -40^{\circ}C$ to $125^{\circ}C$	100		240	
EN Turn Off Delay	$EN_{td-off}$			10		$\mu s$
VIN Under-Voltage Lockout Threshold-Rising	$INUV_{Vth}$	$T_J = 25^{\circ}C$	4.04	4.2	4.36	V
		$T_J = -40^{\circ}C$ to $125^{\circ}C$	4.02		4.38	
VIN Under-Voltage Lockout Threshold-Hysteresis	$INUV_{HYS}$		560	660	740	mV
Power Good UV Threshold Rising	$PGV_{th-Hi}$	$T_J = 25^{\circ}C$	0.85	0.9	0.94	VOUT
		$T_J = -40^{\circ}C$ to $125^{\circ}C$	0.84		0.95	
Power Good UV Threshold Falling	$PGV_{th-Lo}$	$T_J = 25^{\circ}C$	0.64	0.7	0.73	VOUT
		$T_J = -40^{\circ}C$ to $125^{\circ}C$	0.63		0.74	

**ELECTRICAL CHARACTERISTICS (continued)**

$V_{IN} = 12V$ ,  $T_J = -40^{\circ}C$  to  $125^{\circ}C$ <sup>(7)</sup>, unless otherwise noted, typical value is based on average value when  $T_J=25^{\circ}C$ .

Parameter	Symbol	Condition	Min	Typ	Max	Units
Power Good Deglitch time	PG <sub>Td</sub>			100	160	μs
OVP Discharge Resistor	R <sub>OV</sub>	From VOUT pin to GND		35	70	Ω
OVP Rising Threshold	V <sub>EN_Rise</sub>	VOUT and FB pins, T <sub>J</sub> = 25°C	114%	120%	126%	V <sub>REF</sub>
		VOUT and FB pins, T <sub>J</sub> = -40°C to 125°C	113%		127%	
OVP Falling Threshold	V <sub>EN_Fall</sub>	VOUT and FB pins	101%	105%	108%	V <sub>REF</sub>
Soft-Start Current	i <sub>SS</sub>		7	10	12	μA
VCC Voltage	V <sub>CC</sub>	T <sub>J</sub> = -40°C to 125°C	4.75	4.95	5.1	V
VCC Load Regulation		I <sub>CC</sub> =5mA		1	3	%
Thermal Shutdown <sup>(8)</sup>	T <sub>TSD</sub>			160		°C
Thermal Hysteresis <sup>(8)</sup>	T <sub>TSD_HYS</sub>			20		°C

**Notes:**

7) Not tested in production and guaranteed by over-temperature correlation.

8) Guaranteed by Design and Characterization Test.

**I/O Level Characteristics**

Parameter	Symbol	Condition	HS-Mode		LS-Mode		Units
			Min	Max	Min	Max	
Low-level input voltage	$V_{IL}$		-0.5	0.3 $V_{Bus}$	-0.5	0.3 $V_{Bus}$	V
High-level input voltage	$V_{IH}$		0.7 $3V_{Bus}$	$V_{Bus}+$ 0.5	0.7 $V_{Bus}$	$V_{Bus}+$ 0.5	V
Hysteresis of Schmitt trigger inputs	$V_{HYS}$	$V_{Bus}>2V$	0.05 $V_{Bus}$	-	0.05 $V_{Bus}$	-	V
		$V_{Bus}<2V$	0.1 $V_{Bus}$	-	0.1 $V_{Bus}$	-	
Low-level output voltage(Open drain) at 3mA sink current	$V_{OL}$	$V_{Bus}>2V$	0	0.4	0	0.4	V
		$V_{Bus}<2V$	0	0.2 $V_{Bus}$	0	0.2 $V_{Bus}$	
Low-level output current	$I_{OL}$		-	3	-	3	mA
Transfer gate on resistance for currents between SDA and SCAH, or SCL and SCLH	$R_{onL}$	VOL level, IOL=3mA	-	50	-	50	$\Omega$
Transfer gate on resistance between SDA and SCAH, or SCL and SCLH	$R_{onH}$	Both signals (SDA and SDAH, or SCL and SCLH) at VBus level	50	-	50	-	k $\Omega$
Pull-up current of the SCLH current source	$I_{CS}$	SCLH output levels between 0.3V <sub>Bus</sub> and 0.7V <sub>Bus</sub>	2	6	2	6	mA
Rise time of the SCLH or SCL signal	$t_{rCL}$	Output rise time (current source enabled) with an external pull-up current source of 3mA					
		Capacitive load from 10pF to 100pF	10	40			ns
		Capacitive load of 400pF	20	80			ns
Fall time of the SCLH or SCL signal	$t_{fCL}$	Output fall time (current source enabled) with an external pull-up current source of 3mA					
		Capacitive load from 10pF to 100pF	10	40			ns
		Capacitive load of 400pF	20	80	20	250	ns
Rise time of SDAH signal	$t_{rDA}$	Capacitive load from 10pF to 100pF	10	80	-	-	ns
		Capacitive load of 400pF	20	160	20	250	ns
Fall time of SDAH signal	$t_{fDA}$	Capacitive load from 10pF to 100pF	10	80	-	-	ns
		Capacitive load of 400pF	20	160	20	250	ns
Pulse width of spikes that must be suppressed by the input filter	$t_{SP}$		0	10	0	50	ns
Input current each I/O pin	$I_i$	Input voltage between 0.1V <sub>Bus</sub> and 0.9V <sub>Bus</sub>	-	10	-10	+10	$\mu$ A
Capacitance for each I/O pin	$C_i$		-	10	-	10	pF

**Notes:**

$V_{Bus}$  is the I<sup>2</sup>C Bus Voltage, 3.0V to 3.6V range, 3.3V typical

**I<sup>2</sup>C Port Signal Characteristics**

Parameter	Symbol	Condition	Cb=100pF		Cb=400pF		Units
			Min	Max	Min	Max	
SCLH and SCL clock frequency	$f_{SCLH}$		0	3.4	0	0.4	MHz
Set-up time for a repeated START condition	$T_{SU,STA}$		160	-	600	-	ns
Hold time (repeated) START condition	$T_{HD,STA}$		160	-	600	-	ns
Low period of the SCL clock	$t_{LOW}$		160	-	1300	-	ns
High period of the SCL clock	$t_{HIGH}$		60	-	600	-	ns
Data set-up time	$T_{SU,DAT}$		10	-	100	-	ns
Data hold time	$T_{HD,DAT}$		0	70	0	-	ns
Rise time of SCLH signal	$t_{rCL}$		10	40	$20 \cdot 0.1C_b$	300	ns
Rise time of SCLH signal after a repeated START condition and after an acknowledge bit	$t_{rCL1}$		10	80	$20 \cdot 0.1C_b$	300	ns
Fall time of SCLH signal	$T_{fCL}$		10	40	$20 \cdot 0.1C_b$	300	ns
Rise time of SDAH signal	$t_{rDA}$		10	80	$20 \cdot 0.1C_b$	300	ns
Fall time of SDAH signal	$T_{fDA}$		10	80	$20 \cdot 0.1C_b$	300	ns
Set-up time for STOP condition	$T_{SU,STO}$		160	-	600	-	ns
Bus free time between a STOP and START condition	$T_{BUF}$		160	-	1300	-	ns
Data Valid Time	$T_{VD,DAT}$		-	16	-	90	ns
Data valid acknowledge time	$T_{VD,ACK}$		-	160	-	900	ns
Capacitive load for each bus line	$C_b$	SDAH and SCLH line	-	100	-	400	pF
		SDAH+SDA line and SCLH+SCL line	-	400	-	400	pF
Noise margin at the LOW level	$C_i$	For each connected device	-	$0.1V_{BUS}$	$0.1V_{BUS}$	-	V
Noise margin at the HIGH level	$V_{nH}$	For each connected device	-	$0.2V_{BUS}$	$0.2V_{BUS}$	-	V

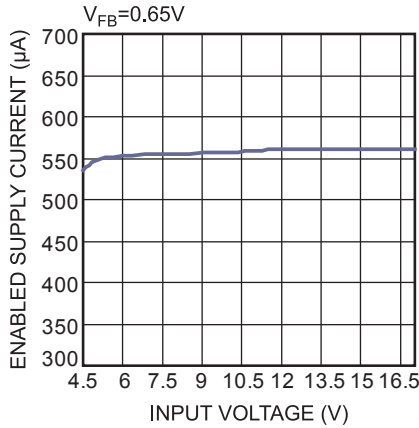
**Notes:**

$V_{BUS}$  is the I<sup>2</sup>C Bus Voltage, 3.0V to 3.6V range, 3.3V typical

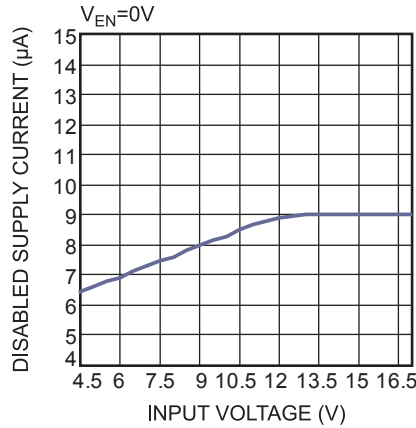
## TYPICAL PERFORMANCE CHARACTERISTICS

$V_{IN} = 12V$ ,  $V_{OUT} = 1V$ ,  $L = 1.5\mu H$ ,  $T_A = 25^\circ C$ , unless otherwise noted.

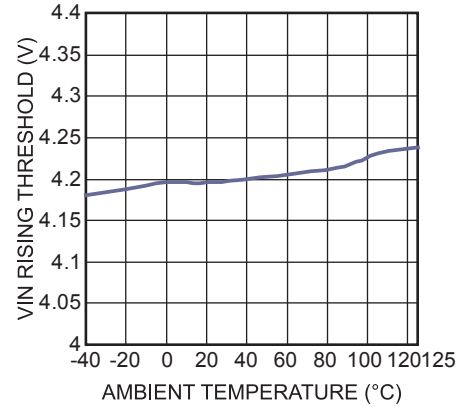
**Enabled Supply Current vs. Input Voltage**



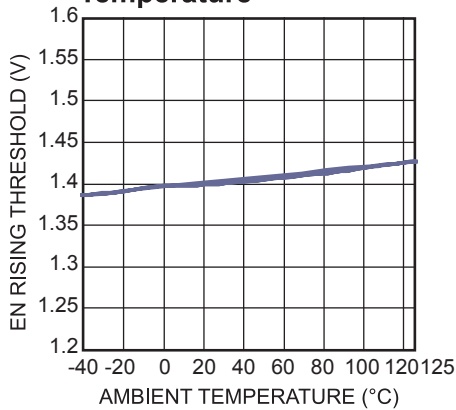
**Disabled Supply Current vs. Input Voltage**



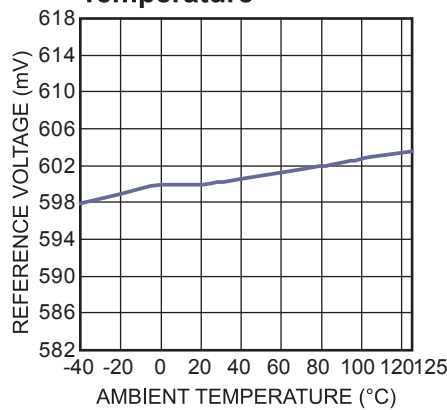
**VIN UVLO Rising Threshold vs. Temperature**



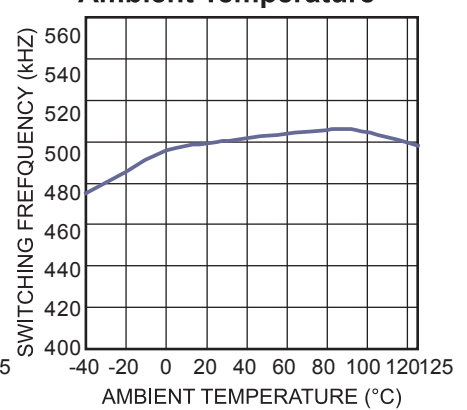
**EN Rising Threshold vs. Temperature**



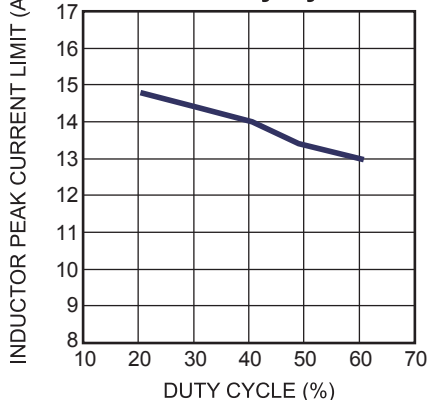
**Reference Voltage vs. Temperature**



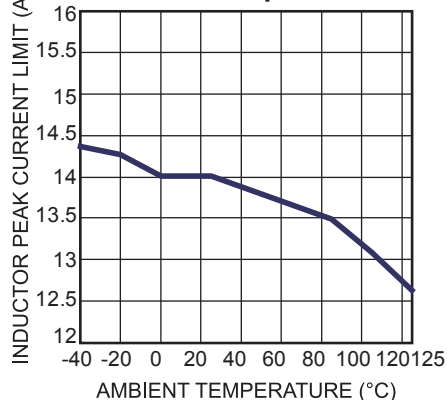
**Switching Frequency vs. Ambient Temperature**



**Inductor Peak Current Limit vs. Duty Cycle**



**Inductor Peak Current Limit vs. Temperature**

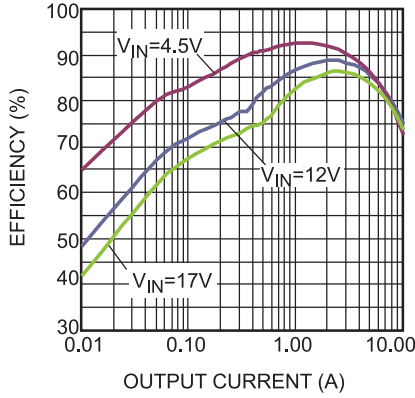




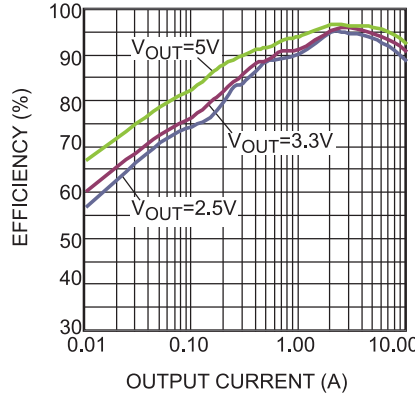
**TYPICAL PERFORMANCE CHARACTERISTICS (continued)**

$V_{IN} = 12V$ ,  $V_{OUT} = 1V$ ,  $L = 1.5\mu H$ ,  $T_A = 25^\circ C$ , unless otherwise noted.

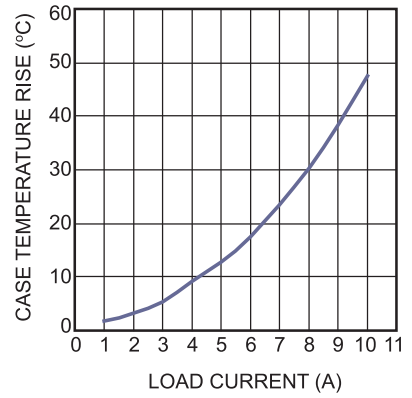
**Efficiency vs. Output Current**



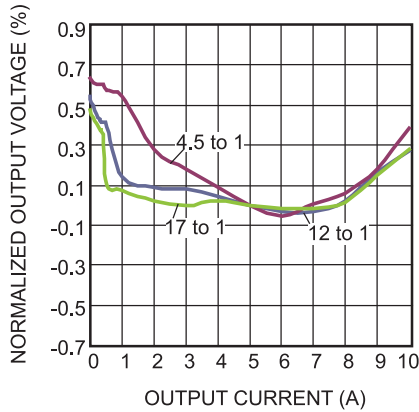
**Efficiency vs. Output Current**  
 $V_{IN} = 12V$



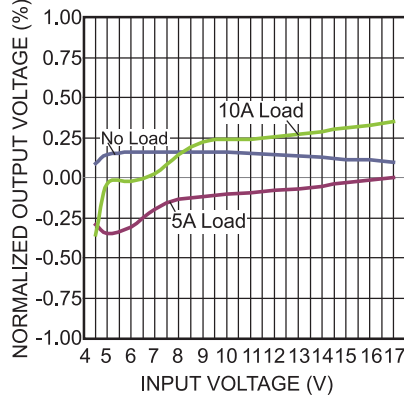
**Case Temperature Rise vs. IOUT**



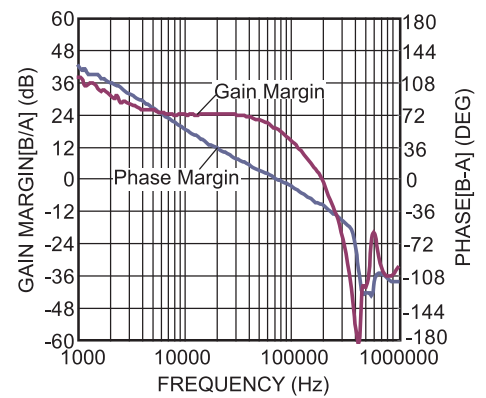
**Load Regulation**



**Line Regulation**  
 $V_{IN} = 4.5V-17V$

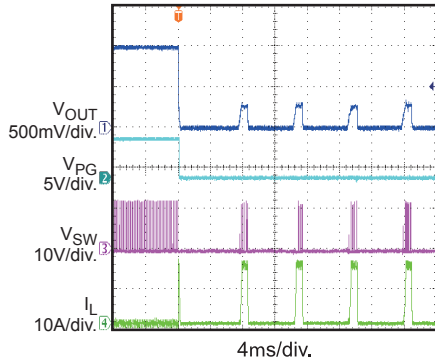
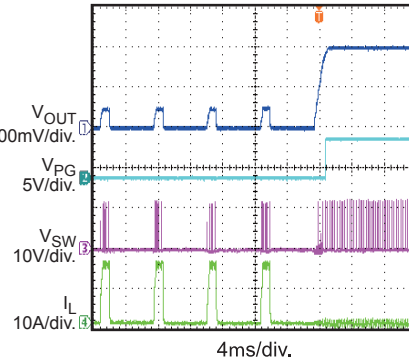
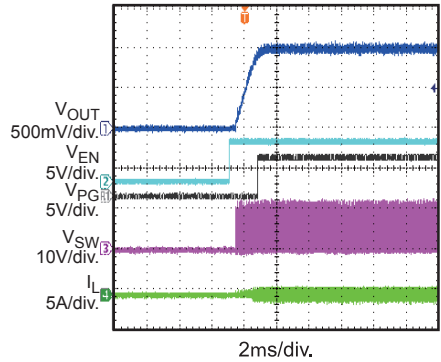
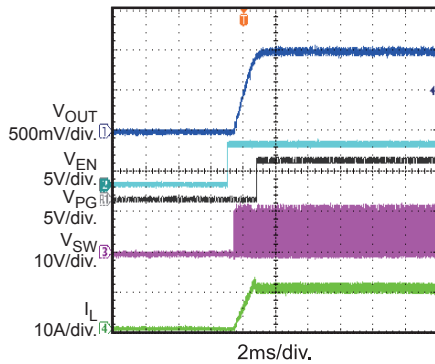
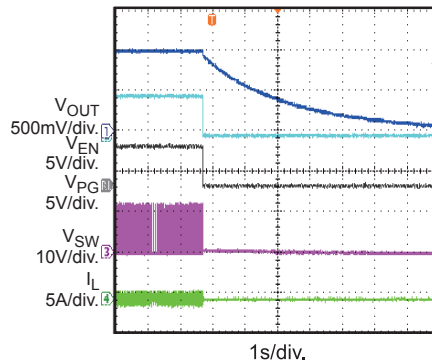
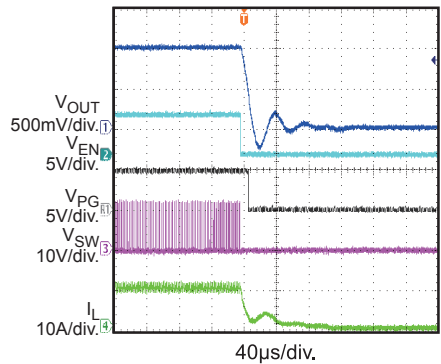
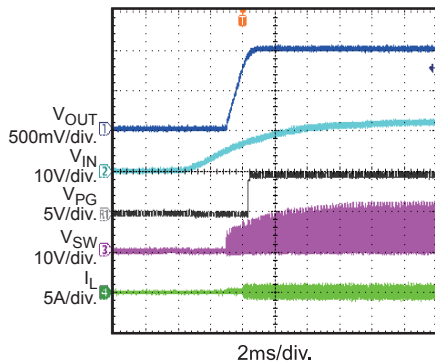
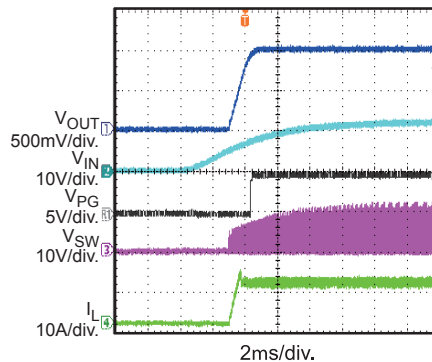
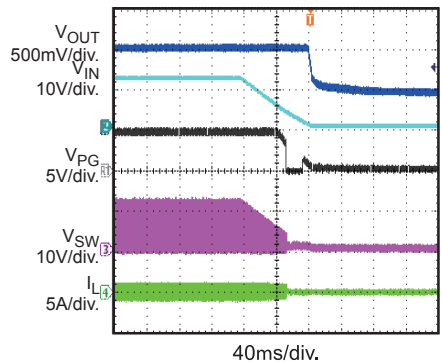


**Bode Plot**  
 $I_{OUT} = 10A$



**TYPICAL PERFORMANCE CHARACTERISTICS (continued)**

Performance waveforms are tested on the evaluation board of the Design Example section.  
 $V_{IN} = 12V$ ,  $V_{OUT} = 1V$ ,  $L = 1.5\mu H$ ,  $T_A = 25^\circ C$ , unless otherwise noted.

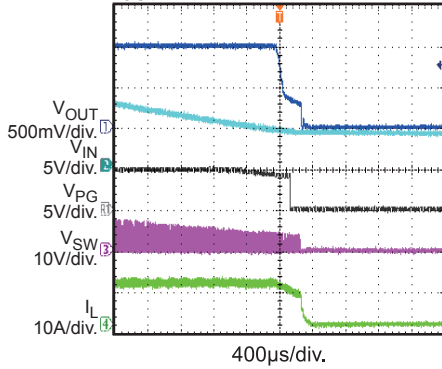
**Short Entry**
 $I_{OUT} = 0A$ 

**Short Recovery**
 $I_{OUT} = 0A$ 

**Start-Up through Enable**
 $I_{OUT} = 0A$ 

**Start-Up through Enable**
 $I_{OUT} = 10A$ 

**Shutdown through Enable**
 $I_{OUT} = 0A$ 

**Shutdown through Enable**
 $I_{OUT} = 10A$ 

**Start-Up through Input Voltage**
 $I_{OUT} = 0A$ 

**Start-Up through Input Voltage**
 $I_{OUT} = 10A$ 

**Shutdown through Input Voltage**
 $I_{OUT} = 0A$ 


**TYPICAL PERFORMANCE CHARACTERISTICS (continued)**

Performance waveforms are tested on the evaluation board of the Design Example section.  
 $V_{IN} = 12V$ ,  $V_{OUT} = 1V$ ,  $L = 1.5\mu H$ ,  $T_A = 25^\circ C$ , unless otherwise noted.

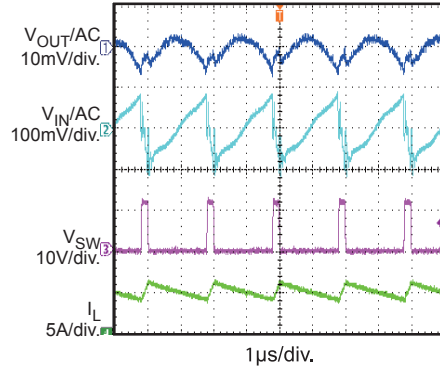
**Shutdown through Input Voltage**

$I_{OUT} = 10A$



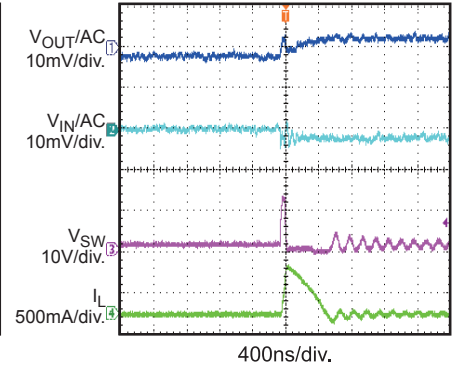
**Input/Output Ripple**

$I_{OUT} = 10A$



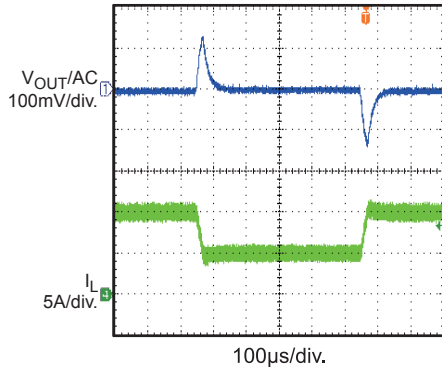
**Input/Output Ripple**

$I_{OUT} = 0A$ , PFM



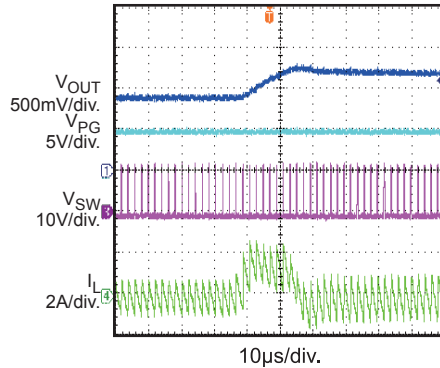
**Load Transient Response**

$I_{OUT} = 5A$  to  $10A$



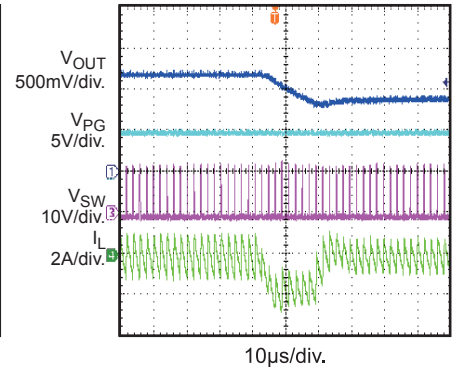
**I<sup>2</sup>C Control Slew Rate**

Slew Rate=16mV/µs,  $I_{OUT} = 0A$ , from 0.9V to 1.2V



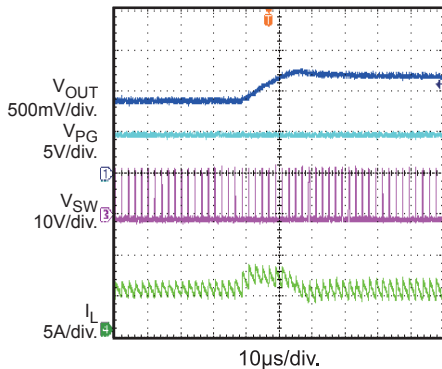
**I<sup>2</sup>C Control Slew Rate**

Slew Rate=16mV/µs,  $I_{OUT} = 0A$ , from 1.2V to 0.9V



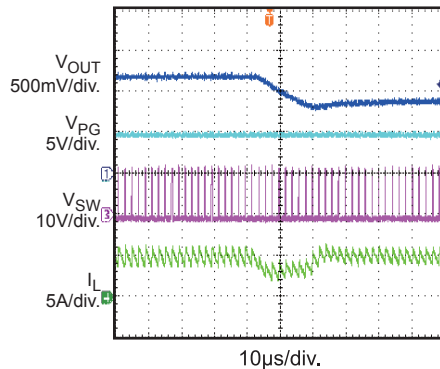
**I<sup>2</sup>C Control Slew Rate**

Slew Rate=16mV/µs,  $I_{OUT} = 5A$ , from 0.9V to 1.2V



**I<sup>2</sup>C Control Slew Rate**

Slew Rate=16mV/µs,  $I_{OUT} = 5A$ , from 1.2V to 0.9V



## PIN FUNCTIONS

QFN14 PIN#	Name	Description
1	BST	Bootstrap. Requires a capacitor between SW and BST pins to form a floating supply across the high-side switch driver.
2	SW	Switch Output. Connect using a wide PCB trace.
3	SCL	I <sup>2</sup> C Serial Clock.
4	SDA	I <sup>2</sup> C Serial Data.
5	EN/SYNC	EN high to enable the MP8868. EN pin has internal 5.4uA pull-up current to 5V, so it can auto startup when EN floating. Apply an external clock can to the EN pin to change the switching frequency.
6	A0	I <sup>2</sup> C address set pin. Left this pin float or pull it to VCC can set one address. Pull A0 pin to ground can set another different address.
7	PG	Power Good Indication. Open drain structure. PG switches low if the output voltage is out of regulation window. PG only indicates UV condition.
8	PGND	System Power Ground. Reference ground of the regulated output voltage. Requires special consideration during PCB layout. Connect to ground plane with copper traces and vias.
9	VIN	Supply Voltage. The MP8868 operates from a 4.5V-to-17V input rail. Requires ceramic capacitor to decouple the input rail. Connect using a wide PCB trace.
10	VOUT	Sense input of output voltage. Connect it to the positive terminal of loading.
11	FB	Feedback. Connect to the tap of an external resistor divider from the output to GND to set the output voltage in FB control loop.
12	SS	Soft start pin. Connect a capacitor from SS to ground can set the soft start time.
13	VCC	Internal LDO regulator output. Decouple with 0.47μF capacitor.
14	AGND	Signal Ground. AGND is not internally directly connected to System Ground, make sure AGND connected to system Ground in PCB layout.

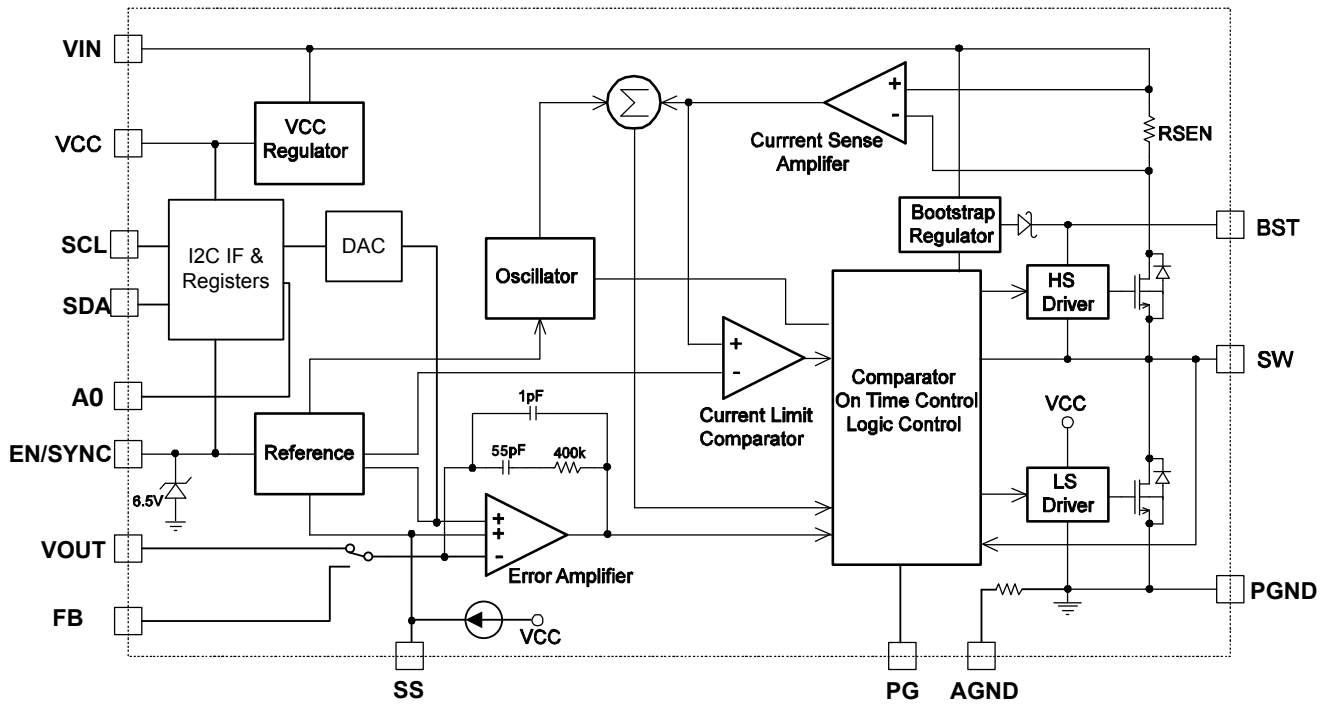
**FUNCTIONAL BLOCK DIAGRAM**


Figure 1: Functional Block Diagram

## OPERATION

The MP8868 is a high-frequency, synchronous, rectified, step-down, switch-mode converter with built-in power MOSFETs. It offers a very compact solution that achieves a 10A output current with excellent load and line regulation over a wide input supply range.

The MP8868 has three working modes: CCM (Continues-Conduction Mode), AAM mode (Advanced Asynchronous Modulation) and DCM (Discontinues-Conduction Mode). The MP8868 default operation mode is CCM. When set MODE bit(reg01[0]) in the I<sup>2</sup>C register to “0”. MP8868 can works in the AAM mode.

### CCM Control Operation

In CCM the internal clock initiates the PWM cycle, the HS-FET turns on and remains on until  $V_{ILsense}$  reaches the value set by  $V_{COMP}$ , after a period of dead time, the LS-FET will turn on and remain on until the next clock cycle starts. The device will repeat the same operation in every clock cycle to regulate the output voltage.

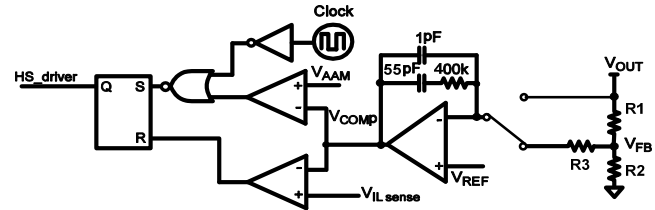
If within 95% (500kHz switching frequency) of one PWM period,  $V_{ILsense}$  does not reach the value set by  $V_{COMP}$ , the HS power MOSFET is forced off.

### AAM Control Operation

In the light load condition, MP8868 works in AAM (Advanced Asynchronous Modulation) mode if Mode bit is set to “0”. Refer to Figure 2, the  $V_{AAM}$  is an internal fixed voltage when input and output voltages are fixed.  $V_{COMP}$  is the error amplifier output which represents the peak inductor current information. When  $V_{COMP}$  is lower than  $V_{AAM}$ , the internal clock is blocked, thus the MP8868 skips some pulses and achieves the light load power save. Refer to AN032 for more detail.

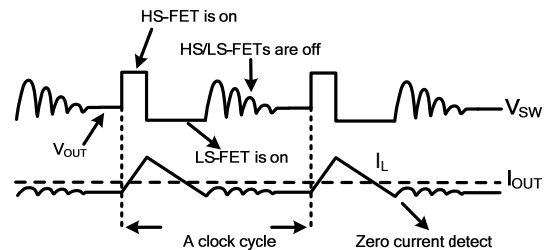
The internal clock resets every time when  $V_{COMP}$  is higher than  $V_{AAM}$ . At the same time the HS-FET(High-Side MOSFET) turns on and remains on until  $V_{ILsense}$  reaches the value set by  $V_{COMP}$ .

The light load feature in this device is optimized for 12V input applications.



**Figure 2: Simplified AAM Control Logic**  
**DCM Control Operation**

The  $V_{COMP}$  voltage ramps up with the increasing of the output current, when its minimum value exceeds  $V_{AAM}$ , the device will enter DCM (Discontinues-Conduction Mode). In this mode the internal clock initiates the PWM cycle, the HS-FET turns on and remains on until  $V_{ILsense}$  reaches the value set by  $V_{COMP}$ , after a period of dead time, the LS-FET (Low-Side MOSFET) will turn on and remain on until the inductor current value decreases to zero. The device will repeat the same operation in every clock cycle to regulate the output voltage.



**Figure 3: DCM Control Operation**

### VCC Regulator

A 5V internal regulator powers most of the internal circuitries. This regulator takes the  $V_{IN}$  input and operates in the full  $V_{IN}$  range. When  $V_{IN}$  is greater than 5.0V, the output of the regulator is in full regulation. When  $V_{IN}$  is lower than 5.0V, the output voltage decreases and follows the input voltage. A 0.47 $\mu$ F ceramic capacitor for decoupling purpose is required.

### Error Amplifier

The error amplifier compares the FB pin voltage against the internal reference (REF) for FB control loop and outputs the COMP voltage—which controls the power MOSFET current. In I<sup>2</sup>C mode, the FB pin is opened and VOUT pin is connected to the EA non-inverter input. The optimized internal compensation network

minimizes the external component count and simplifies the control loop design.

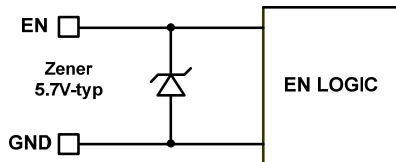
### EN/SYNC Control

EN/SYNC is a digital control pin that turns the regulator including I<sup>2</sup>C block on and off. Drive EN/SYNC high to turn on the regulator; drive it low to turn it off. An internal 5.4μA pull-up current to 5V power supply allows auto startup when EN/SYNC pin is floating.

The EN/SYNC pin is clamped internally using a 5.7 V series-Zener-diode as shown in Figure 4. Connecting the EN/SYNC input pin through a pull-up resistor to the voltage on the V<sub>IN</sub> pin limits the EN/SYNC input current to less than 100μA.

For example, with 12V connected to Vin,  $R_{PULLUP} \geq (12V - 5.7V) \div 100\mu A = 63k\Omega$ .

Connecting the EN/SYNC pin is directly to a voltage source without any pullup resistor requires limiting the amplitude of the voltage source to ≤5.5V to prevent damage to the Zener diode.



**Figure 4: 5.7V Zener Diode Connection**

For external clock synchronization, connect a clock with a frequency range between 200kHz and 2MHz to EN/SYNC pin. The internal clock rising edge will synchronize with the external clock rising edge once external clock is present. Set the external clock signal with a pulse width less than 80% of one internal clock cycle time.

### Under-Voltage Lockout (UVLO)

Under-voltage lockout (UVLO) protects the chip from operating at insufficient supply voltage. The MP8868 UVLO comparator monitors the output voltage of the internal regulator, VCC. The UVLO rising threshold is about 4.2V while its falling threshold is 3.54V.

### Soft-Start

The MP8868 employs soft start (SS) mechanism to ensure smooth output during power-up. When the EN pin becomes high, an internal current source (10μA) charges up the

SS capacitor. The SS capacitor voltage takes over the REF voltage to the PWM comparator. The output voltage smoothly ramps up with the SS voltage. Once the SS voltage reaches the same level as the REF voltage, it keeps ramping up while V<sub>REF</sub> takes over the PWM comparator. At this point, the soft start finishes and it enters into steady state operation.

The SS capacitor value can be determined as follows:

$$C_{SS} \text{ (nF)} = \frac{T_{SS} \text{ (ms)} \times I_{SS} \text{ (}\mu\text{A)}}{V_{REF} \text{ (V)}}$$

If the output capacitors have large capacitance value, it's not recommended to set the SS time too small. Otherwise, it's easy to hit the current limit during SS.

### Pre-Bias Startup

The MP8868 has been designed for monotonic startup into pre-biased output voltage. If the output is pre-biased to a certain voltage during startup, the voltage on the soft-start capacitor will be charged. When the soft-start capacitor's voltage exceeds the sensed output voltage at the FB pin<sup>(9)</sup>, the part starts to turn on high side and low side power switches sequentially. Output voltage starts to ramp up following with soft-start slew rate.

#### Note:

9) FB pin voltage in FB control loop, or VOUT pin voltage in I<sup>2</sup>C control loop.

### Power Good Indicator

The MP8868 has power good (PG) output used to indicate whether the output voltage of the module is ready or not. The PG pin is an open drain output. Connect PG pin to VCC or other voltage source through a pull up resistor (e.g. 100kΩ). When the input voltage is applied, the PG pin is pulled down to GND. When V<sub>FB</sub><sup>(9)</sup> is above 90% of V<sub>REF</sub>, the PG pin will be pulled high after 100us delay time. During normal operation, the PG pin will be pulled low when the V<sub>FB</sub><sup>(9)</sup> drops below 70% of V<sub>REF</sub> after 100us delay.

When UVLO or OTP happens, the PG pin will be pulled low immediately; When OC(Over current) happens, the PG pin will be pulled low

when  $V_{FB}^{(9)}$  drops below 70% of  $V_{REF}$  after 100us delay.

The PG won't response to output over voltage condition.

The PG bit in the I<sup>2</sup>C register have the same indication as the external PG pin.

### Output over Voltage Protection (OVP)

MP8868 monitors both FB pin and VOUT pin to detect over voltage event. When "V\_BOOT" bit=1, internal comparator monitors FB pin while "V\_BOOT" bit=0, it monitors VOUT pin. When the feedback voltage becomes higher than 120% of the internal reference voltage, the controller will enter linear discharge mode. During this period, there is a 35Ω resistor connected between VOUT pin and ground, this will then discharge the output and try to keep it within the normal range. Once output voltage falls lower than 105% of reference, controller exits linear discharge mode.

### Over-Current-Protection and Hiccup

The MP8868 has a cycle-by-cycle over-current limit. When the inductor current peak value exceeds the set current limit threshold, the HS-FET will turn off and the LS-FET will turn on and remains on until the inductor current falls below the internal "valley" current limit threshold. The "valley" current limit circuit is employed to decrease the operation frequency after the "peak" current limit threshold is triggered. Meanwhile, the output voltage drops until  $V_{FB}^{(9)}$  is below the Under-Voltage (UV) threshold—typically 30% below the reference. Once UV is triggered, the MP8868 enters hiccup mode to periodically restart the part. This protection mode is especially useful when the output is dead-short to ground. The average short circuit current is greatly reduced to alleviate thermal issues and to protect the regulator. The MP8868 exits the hiccup mode once the over-current condition is removed.

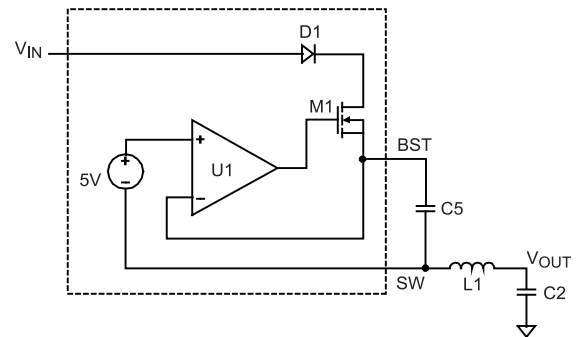
### Thermal Shutdown

Thermal shutdown prevents the chip from operating at exceedingly high temperatures. When the silicon die reaches temperatures that exceed 160°C, it shuts down the whole chip. When the temperature is less than its lower

threshold, typically 140°C, the chip is enabled again.

### Floating Driver and Bootstrap Charging

An external bootstrap capacitor powers the floating power MOSFET driver. This floating driver has its own UVLO protection. This UVLO's rising threshold is 2.2V with a hysteresis of 150mV. The bootstrap capacitor voltage is regulated internally by  $V_{IN}$  through D1, M1, C5, L1 and C2 (Figure ). If  $(V_{IN}-V_{SW})$  exceeds 5V, U1 will regulate M1 to maintain a 5V BST voltage across C5.



**Figure 5: Internal Bootstrap Charging Circuit**

### Startup and Shutdown

If both  $V_{IN}$  and EN exceed their respective thresholds, the chip starts. The reference block starts first, generating stable reference voltage and currents, and then the internal regulator is enabled. The regulator provides a stable supply for the remaining circuitries.

Three events can shut down the chip: EN low,  $V_{IN}$  low, and thermal shutdown. In the shutdown procedure, the signaling path is first blocked to avoid any fault triggering. The COMP voltage and the internal supply rail are then pulled down. The floating driver is not subject to this shutdown command.

### I<sup>2</sup>C Control and Default Output Voltage

When the MP8868 is enabled which means EN=high and  $V_{IN}>UVLO$ , the chip starts up to an output voltage which is set by FB feedback resistors with programmed soft-start time. After that, the I<sup>2</sup>C bus can communicate with master. If the chip doesn't receive I<sup>2</sup>C communication signal all the time, it works well through FB pin feedback and performs the similar behavior as traditional non-I<sup>2</sup>C part.



Once the I<sup>2</sup>C receives valid output reference voltage scaling instruction, if V\_BOOT="1", output voltage is determined by the resistor divider R1, R2 and V\_REF voltage. V\_OUT value can be calculated by following equation (V\_REF default value is 0.6V):

$$V_{OUT} = V_{REF} \times \left(1 + \frac{R1}{R2}\right)$$

If V\_BOOT="0", the output voltage will be determined by I<sup>2</sup>C control and the FB feedback loop is disabled.

The output reference voltage scaling is realized by adjusting internal reference voltage V\_REF which is the non-invert input of error amplifier. After MP8868 receives a valid data byte of output reference voltage setting, it searches the corresponding reference voltage from the truth table and then sends the command of adjusting Vref with controlled slew rate. The slew rate is determined by 3 bits of another register which can be read and write accordingly.

## I<sup>2</sup>C INTERFACE

### I<sup>2</sup>C Serial Interface Description

I<sup>2</sup>C is a 2-wire, bidirectional serial interface, consisting of a data line (SDA) and a clock line (SCL). The lines are externally pulled to a bus voltage when they are “idle”. Connecting to the line, a master device generates the SCL signal and device address and arranges the communication sequence. MP8868 interface is an I<sup>2</sup>C slave. The I<sup>2</sup>C interface adds flexibility to the power supply solution. The output voltage, transition slew rate or other interesting parameters can be instantaneously controlled by I<sup>2</sup>C interface. The default I<sup>2</sup>C address of MP8868 is “62” (HEX) or “1100010” (BINARY) and is “6A” (HEX) or “1101010” if pull A0 pin to ground.

### Data validity

One clock pulse is generated for each data bit transferred. The data on the SDA line must be stable during the HIGH period of the clock. The HIGH or LOW state of the data line can only change when the clock signal on the SCL line is LOW (see Figure.6).

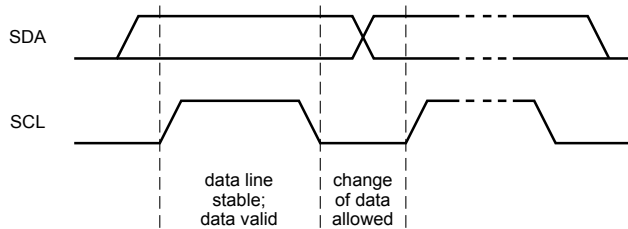


Figure 6: Bit transfer on the I<sup>2</sup>C-bus

The START and STOP are signaled by the master device which signifies the beginning and the end of the I<sup>2</sup>C transfer. The START condition is defined as the SDA signal transitioning from HIGH to LOW while the SCL is HIGH. The STOP condition is defined as the SDA signal transitioning from LOW to HIGH while the SCL is HIGH as shown in Figure 7.

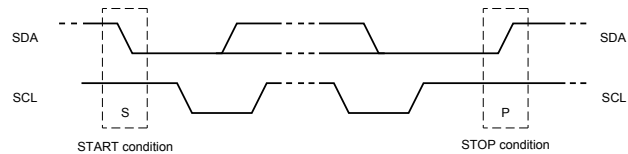


Figure 7: START and STOP Conditions

START and STOP conditions are always generated by the master. The bus is considered to be busy after the START condition. The bus is considered to be free again after a minimum of 4.7uS after the STOP condition. The bus stays busy if a repeated START (Sr) is generated instead of a STOP condition. The START (S) and repeated START (Sr) conditions are functionally identical.

### Transfer Data

Every byte put on the SDA line must be 8-bits long. Each byte has to be followed by an acknowledge bit. The acknowledge-related clock pulse is generated by the master. The transmitter releases the SDA line (HIGH) during the acknowledge clock pulse. The receiver must pull down the SDA line during the acknowledge clock pulse so that it remains stable LOW during the HIGH period of this clock pulse.

Data transfers follow the format shown in Figure 8. After the START condition (S), a slave address is sent. This address is 7 bits long followed by an eighth bit which is a data direction bit (R/W) - a ‘zero’ indicates a transmission (WRITE), a ‘one’ indicates a request for data (READ). A data transfer is always terminated by a STOP condition (P) generated by the master. However, if a master still wishes to communicate on the bus, it can generate a repeated START condition (Sr) and address another slave without first generating a STOP condition.

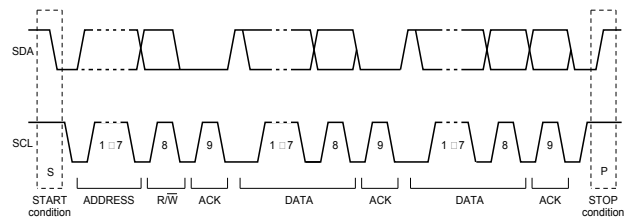


Figure 8: A complete data transfer

The MP8868 requires a start condition, a valid I<sup>2</sup>C address, a register address byte, and a data byte for a single data update. After receipt of each byte, MP8868 acknowledges by pulling the SDA line low during the high period of a single clock pulse. A valid I<sup>2</sup>C address selects the MP8868. MP8868 performs an update on the falling edge of the LSB byte.

## REGISER DESCRIPTION

### Register Map

ADD	NAME	R/W	D7	D6	D5	D4	D3	D2	D1	D0
00	VSEL	R/W	V_BOOT	Output Reference						
01	SysCntreg1	R/W	EN	GO_BIT	Slew Rate			Switching Frequency		Mode
02	ID1	R	Vendor ID				Die id			
03	Status	R	Reserved			VID_OK	OC	OTEW	OT	PG

### Register Description

#### 1. Reg00 VSEL

NAME	BITS	DEFAULT	DESCRIPTION
V_BOOT	D7	1	“FB” control loop enable bit. V_BOOT=“1” means the output voltage is determined by resistor divider connecting to “FB” (FB control loop). V_BOOT=“0” means the output voltage is controlled by I <sup>2</sup> C through “VOUT” (I <sup>2</sup> C control loop). This bit is helpful for the default output voltage setting before I <sup>2</sup> C signal comes. If the I <sup>2</sup> C is not used, the part works well with “FB” pin.
Output Reference	D[6:0]	0000000	Set output voltage from 0.6V to 1.87V as Table 1. Default value is 0.6V.

**Table 1 Output Voltage Chart**

D[6:0]	VOUT	D[6:0]	VOUT	D[6:0]	VOUT	D[6:0]	VOUT
000 0000	0.60	010 0000	0.92	100 0000	1.24	110 0000	1.56
000 0001	0.61	010 0001	0.93	100 0001	1.25	110 0001	1.57
000 0010	0.62	010 0010	0.94	100 0010	1.26	110 0010	1.58
000 0011	0.63	010 0011	0.95	100 0011	1.27	110 0011	1.59
000 0100	0.64	010 0100	0.96	100 0100	1.28	110 0100	1.60
000 0101	0.65	010 0101	0.97	100 0101	1.29	110 0101	1.61
000 0110	0.66	010 0110	0.98	100 0110	1.30	110 0110	1.62
000 0111	0.67	010 0111	0.99	100 0111	1.31	110 0111	1.63
000 1000	0.68	010 1000	1.00	100 1000	1.32	110 1000	1.64
000 1001	0.69	010 1001	1.01	100 1001	1.33	110 1001	1.65
000 1010	0.70	010 1010	1.02	100 1010	1.34	110 1010	1.66
000 1011	0.71	010 1011	1.03	100 1011	1.35	110 1011	1.67
000 1100	0.72	010 1100	1.04	100 1100	1.36	110 1100	1.68
000 1101	0.73	010 1101	1.05	100 1101	1.37	110 1101	1.69
000 1110	0.74	010 1110	1.06	100 1110	1.38	110 1110	1.70
000 1111	0.75	010 1111	1.07	100 1111	1.39	110 1111	1.71
001 0000	0.76	011 0000	1.08	101 0000	1.40	111 0000	1.72
001 0001	0.77	011 0001	1.09	101 0001	1.41	111 0001	1.73
001 0010	0.78	011 0010	1.10	101 0010	1.42	111 0010	1.74
001 0011	0.79	011 0011	1.11	101 0011	1.43	111 0011	1.75
001 0100	0.80	011 0100	1.12	101 0100	1.44	111 0100	1.76
001 0101	0.81	011 0101	1.13	101 0101	1.45	111 0101	1.77
001 0110	0.82	011 0110	1.14	101 0110	1.46	111 0110	1.78
001 0111	0.83	011 0111	1.15	101 0111	1.47	111 0111	1.79
001 1000	0.84	011 1000	1.16	101 1000	1.48	111 1000	1.80
001 1001	0.85	011 1001	1.17	101 1001	1.49	111 1001	1.81
001 1010	0.86	011 1010	1.18	101 1010	1.50	111 1010	1.82
001 1011	0.87	011 1011	1.19	101 1011	1.51	111 1011	1.83
001 1100	0.88	011 1100	1.20	101 1100	1.52	111 1100	1.84
001 1101	0.89	011 1101	1.21	101 1101	1.53	111 1101	1.85
001 1110	0.90	011 1110	1.22	101 1110	1.54	111 1110	1.86
001 1111	0.91	011 1111	1.23	101 1111	1.55	111 1111	1.87

**2. Reg01 SysCntlreg1**

NAME	BITS	DEFAULT	DESCRIPTION			
EN	D[7]	1	I <sup>2</sup> C controlled turn-on or turn-off the part. When external EN pin is low, the converter is off and I <sup>2</sup> C is also shutdown. When EN pin is high, the EN bit will take over. The default EN bit is "1".			
GO_BIT	D[6]	0	Switch bit of I <sup>2</sup> C writing authority for output reference command only. Set GO_BIT="1" to enable the I <sup>2</sup> C authority of writing output reference. When the command is finished, GO_BIT will auto reset to "0" to prevent false operation of VOUT scaling. If reference adjust is within 50mV, GO_BIT won't be auto reset to "0". In this case need manually set GO_BIT to "0". Suggest writing GO_BIT="1" first, then write the output reference voltage.			
Slew Rate	D[5:3]	100	D[5:3]	SLEW RATE	D[5:3]	SLEW RATE
			000	64 mV/uS	100	4 mV/uS
			001	32 mV/uS	101	2 mV/uS
			010	16 mV/uS	110	1 mV/uS
			011	8 mV/uS	111	0.5 mV/uS
Switching Frequency	D[2:1]	00	D[2:1]	Fs		
			00	500kHz		
			01	750KHz		
			10	1MHz		
			11	1.5MHz		
Mode	D0	1	A "0" enables PFM mode, a high disables PFM mode. Default in force CCM.			

**3. Reg02 ID1**

NAME	BITS	DESCRIPTION
Vendor ID	D[7:4]	1000
IC Revision ID	D[3:0]	IC Revision

**4. Reg03 Status**

NAME	BITS	DESCRIPTION
Reserved	D[7:5]	Reserved for future use. Always set at 0
VID_OK	D[4]	I <sup>2</sup> C controlled voltage adjustment is done. Internal circuit compares DAC output with "VOUT" pin voltage, if "VOUT" is in the 90%-110% range of DAC output, VID_OK bit is high which means the voltage scaling is finished. Otherwise, VID_OK="0". VID_OK compares DAC with VOUT/FB. UV 90%+-3%, OV 110%+-3%
OC	D[3]	Output over current indication. When bit is high, IC is in hiccup mode.
OTEW	D[2]	Die temperature early warning bit. When the bit is high, the die temperature is higher than 120°C.
OT	D[1]	Over temperature indication. When bit is high the IC is in thermal shutdown
PG	D[0]	Output power good indication. When bit is high the VOUT power is good now. It means the VOUT is higher than 90% of designed regulation voltage. See details in "Power Good Indicator" Section.

## APPLICATION INFORMATION

### Setting the Output Voltage in FB control Loop

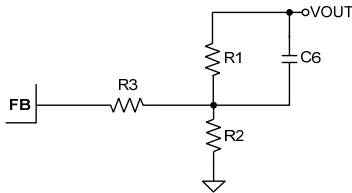
Reference voltage and external resistor divider and can set the output voltage through FB. The feedback resistor R1 and R3 also sets the feedback loop bandwidth with the internal compensation capacitor. Choose R1 value firstly, R2 is then given by <sup>(10)</sup>:

$$R2 = \frac{R1}{\frac{V_{OUT}}{V_{REF}} - 1}$$

**Notes:**

10) VREF is 0.6V when Power up or EN on. After MP8868 is enabled, VREF can be programmed through I<sup>2</sup>C. Set V\_BOOT=1 to enable FB control loop.

The T-type network (as shown in Figure 10) is highly recommended.



**Figure 9: T-Type Network**

Table 2 lists the recommended feedback resistors value for common output voltages.

**Table 2: Resistor Selection for Common Output Voltages with Default 0.6V V<sub>REF</sub><sup>(11)</sup>**

V <sub>OUT</sub> (V)	R1 (kΩ)	R2 (kΩ)	R3 (kΩ)	C6 (pF)	L (μH)
0.9	80.6 (1%)	162 (1%)	51 (1%)	22	1.5
1.0	80.6 (1%)	120 (1%)	51 (1%)	22	1.5
1.2	80.6 (1%)	80.6 (1%)	40.2 (1%)	22	1.5
2.5	60.4 (1%)	19.1 (1%)	30 (1%)	22	2.2
3.3	60.4 (1%)	13.3 (1%)	20 (1%)	33	3.3
5	60.4 (1%)	8.25 (1%)	20 (1%)	33	3.3

**Note:**

11) The recommended parameters is basing on 12V input voltage and 22μFx4 output capacitor, different input voltage and output capacitor value may affect the selection of R1, R2, R3, C6. For other components' parameters, please refer to TYPICAL APPLICATION CIRCUITS on page 26.

### Setting the Output Voltage in I<sup>2</sup>C control Loop

Besides setting the output voltage through FB loop, I<sup>2</sup>C loop also can set the output voltage through VOUT pin by setting V\_BOOT=0. In this case, output voltage is the set reference voltage. Please refer to Table 1 for more details about output voltage setting.

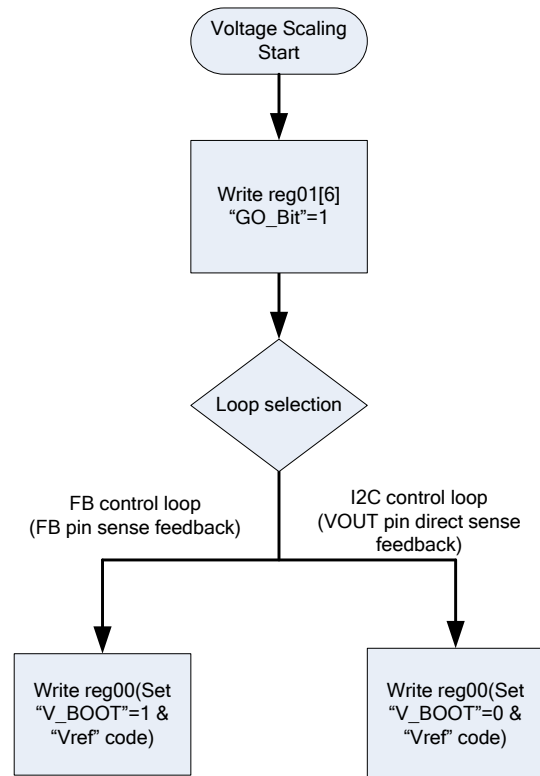
### Output Voltage Dynamic Scale

To dynamic scale the output voltage during MP8868 normal operating, it suggests following below two steps and referring to the Figure 10:

Step1: Write the GO\_Bit (reg01[6]) to "1";

Step2: Write reg00 to select the feedback loop by setting V\_BOOT(reg00[7]) and set reference voltage by Output Reference (reg00[0:6]) simultaneously. If reference adjust is within 50mV, GO\_BIT won't be auto reset to "0", in this case it needs manually set GO\_BIT to "0".

Repeat above two steps if need dynamic scale to other voltage.



**Figure 10: Output Voltage Dynamic Scale Flow Chart**

### Selecting the Inductor

Use a 0.47μH-to-10μH inductor with a DC current rating of at least 25% percent higher than the maximum load current for most applications. For highest efficiency, use an inductor with a DC resistance less than 15mΩ. For most designs, the inductance value can be derived from the following equation.

$$L_1 = \frac{V_{OUT} \times (V_{IN} - V_{OUT})}{V_{IN} \times \Delta I_L \times f_{OSC}}$$

Where  $\Delta I_L$  is the inductor ripple current.

Choose the inductor ripple current to be approximately 30% of the maximum load current. The maximum inductor peak current is:

$$I_{L(MAX)} = I_{LOAD} + \frac{\Delta I_L}{2}$$

Use a larger inductor for improved efficiency under light-load conditions—below 100mA.

### Selecting the Input Capacitor

The input current to the step-down converter is discontinuous, therefore requires a capacitor is to supply the AC current to the step-down converter while maintaining the DC input voltage. Use low ESR capacitors for the best performance. Use ceramic capacitors with X5R or X7R dielectrics for best results because of their low ESR and small temperature coefficients. For most applications, use two piece 22μF capacitors.

Since C1 absorbs the input switching current, it requires an adequate ripple current rating. The RMS current in the input capacitor can be estimated by:

$$I_{C1} = I_{LOAD} \times \sqrt{\frac{V_{OUT}}{V_{IN}} \times \left(1 - \frac{V_{OUT}}{V_{IN}}\right)}$$

The worse case condition occurs at  $V_{IN} = 2V_{OUT}$ , where:

$$I_{C1} = \frac{I_{LOAD}}{2}$$

For simplification, choose an input capacitor with an RMS current rating greater than half of the maximum load current.

The input capacitor can be electrolytic, tantalum or ceramic. When using electrolytic or tantalum capacitors, add a small, high quality ceramic capacitor (e.g. 0.1μF) placed as close to the IC as possible. When using ceramic capacitors, make sure that they have enough capacitance to provide sufficient charge to prevent excessive voltage ripple at input. The input voltage ripple caused by capacitance can be estimated by:

$$\Delta V_{IN} = \frac{I_{LOAD}}{f_s \times C1} \times \frac{V_{OUT}}{V_{IN}} \times \left(1 - \frac{V_{OUT}}{V_{IN}}\right)$$

### Selecting the Output Capacitor

The output capacitor (C2) maintains the DC output voltage. Use ceramic, tantalum, or low-ESR electrolytic capacitors. For best results, use low ESR capacitors to keep the output voltage ripple low. The output voltage ripple can be estimated by:

$$\Delta V_{OUT} = \frac{V_{OUT}}{f_s \times L_1} \times \left(1 - \frac{V_{OUT}}{V_{IN}}\right) \times \left(R_{ESR} + \frac{1}{8 \times f_s \times C2}\right)$$

Where  $L_1$  is the inductor value and  $R_{ESR}$  is the equivalent series resistance (ESR) value of the output capacitor.

For ceramic capacitors, the capacitance dominates the impedance at the switching frequency, and the capacitance causes the majority of the output voltage ripple. For simplification, the output voltage ripple can be estimated by:

$$\Delta V_{OUT} = \frac{V_{OUT}}{8 \times f_s^2 \times L_1 \times C2} \times \left(1 - \frac{V_{OUT}}{V_{IN}}\right)$$

For tantalum or electrolytic capacitors, the ESR dominates the impedance at the switching frequency. For simplification, the output ripple can be approximated to:

$$\Delta V_{OUT} = \frac{V_{OUT}}{f_s \times L_1} \times \left(1 - \frac{V_{OUT}}{V_{IN}}\right) \times R_{ESR}$$

The characteristics of the output capacitor also affect the stability of the regulation system. The MP8868 can be optimized for a wide range of capacitance and ESR values.

**PC Board Layout** <sup>(12)</sup>

PCB layout is very important for stable operation. Follow these guidelines for best results.

1. The high current paths (PGND, VIN, and SW) should be placed very close to the device with short, direct and wide traces.
2. Keep the IN and GND pads connected with large copper and use at least two layers for IN and GND trace to achieve better thermal performance. Also, add several Vias close to the IN and GND pads to help on thermal dissipation.
3. Put the input capacitors as close to the VIN and GND pins as possible.

4. Put the decoupling capacitor as close to the VCC and GND pins as possible.
5. The external feedback resistors should be placed next to the FB pin. Make sure that there is no via on the FB trace.
6. Keep the switching node SW short and away from the feedback network.
7. Keep the BST voltage path (BST, C5, and SW) as short as possible.
8. Four-layer layout is strongly recommended to achieve better thermal performance.

**Notes:**

12) The recommended layout is based on the Figure 13 Typical Application circuit in page26.

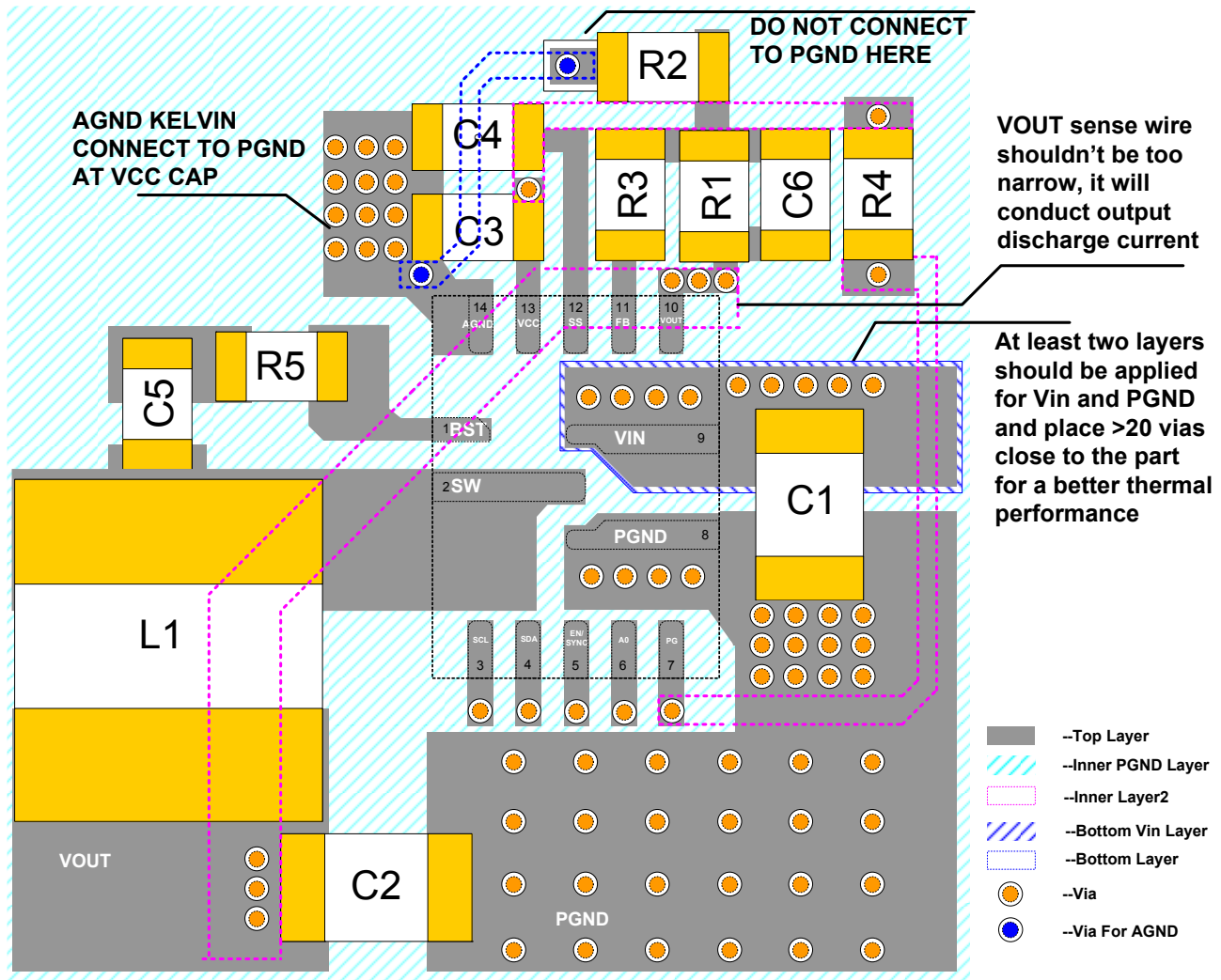


Figure 11: Recommend Layout

### Design Example

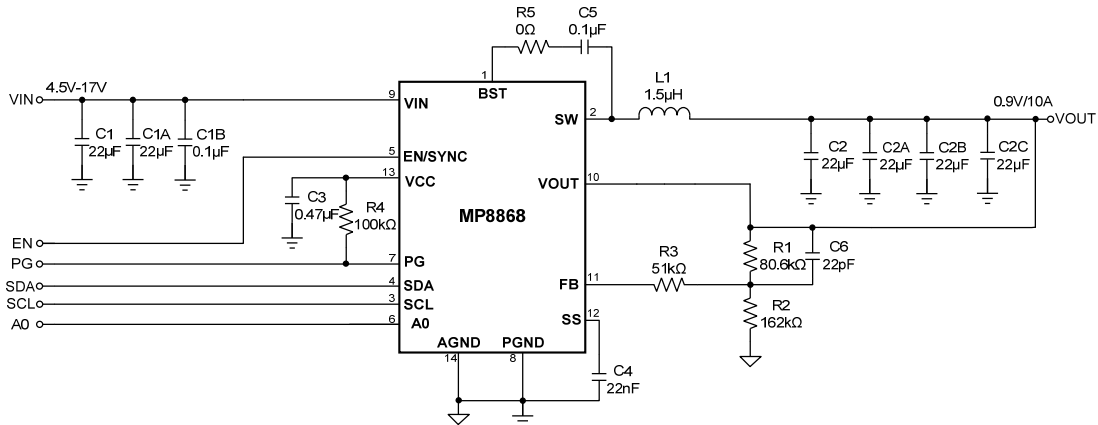
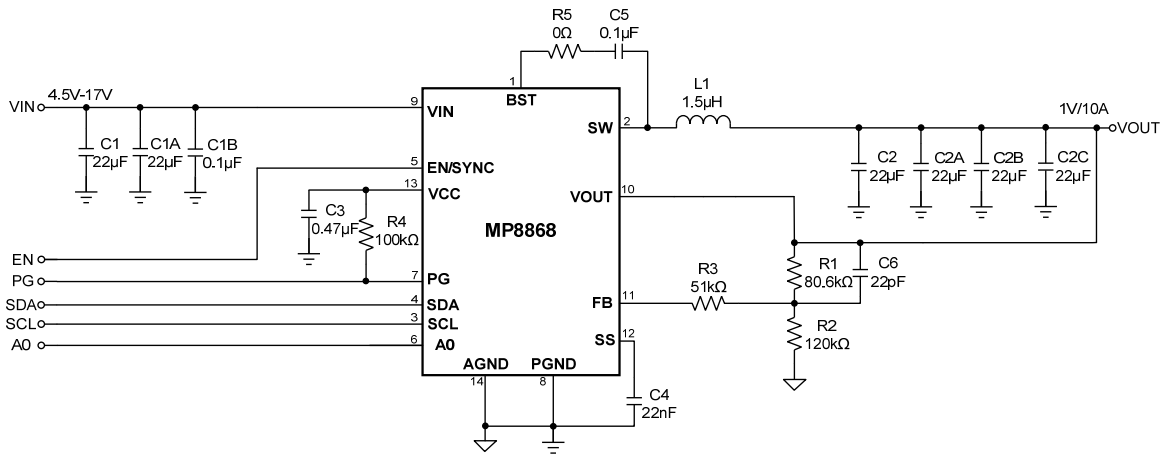
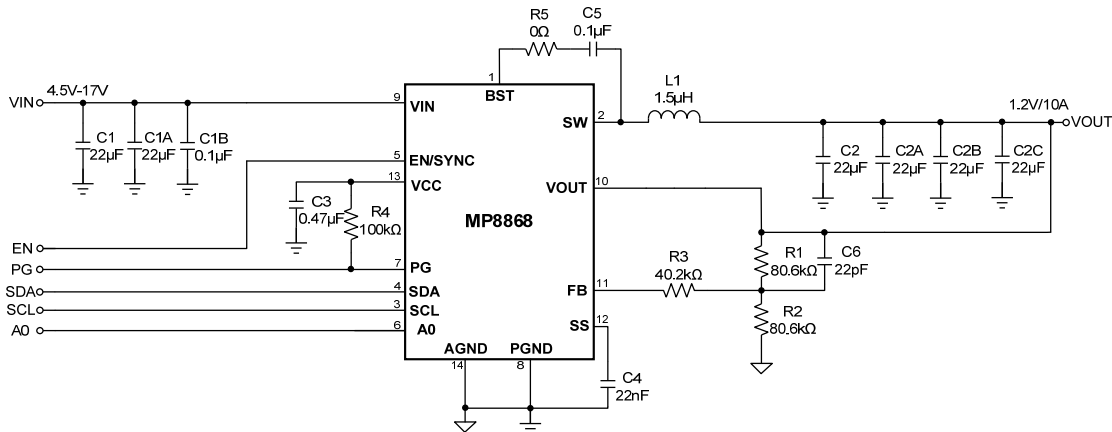
Below is a design example following the application guidelines for the specifications:

**Table 3 Design Example**

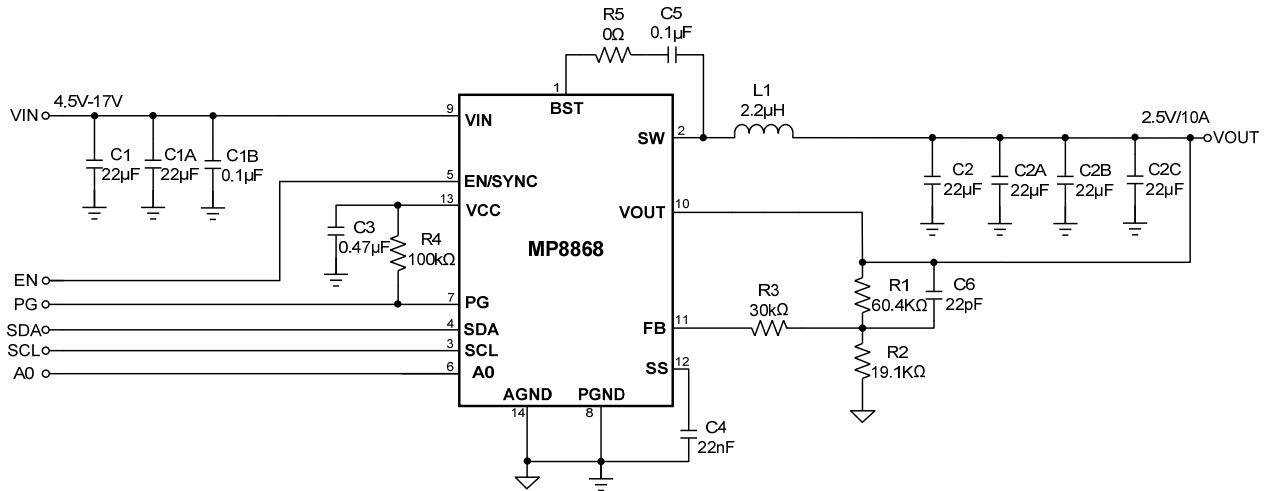
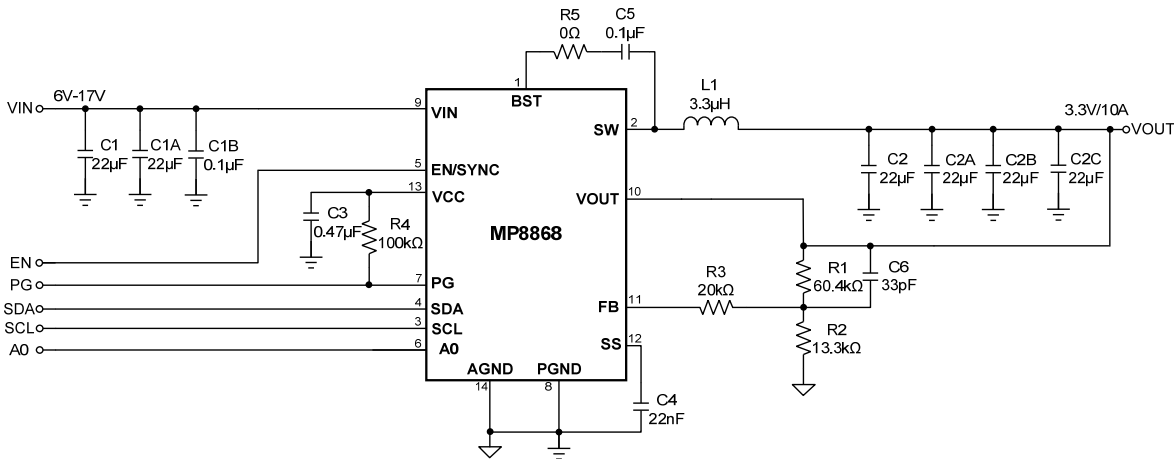
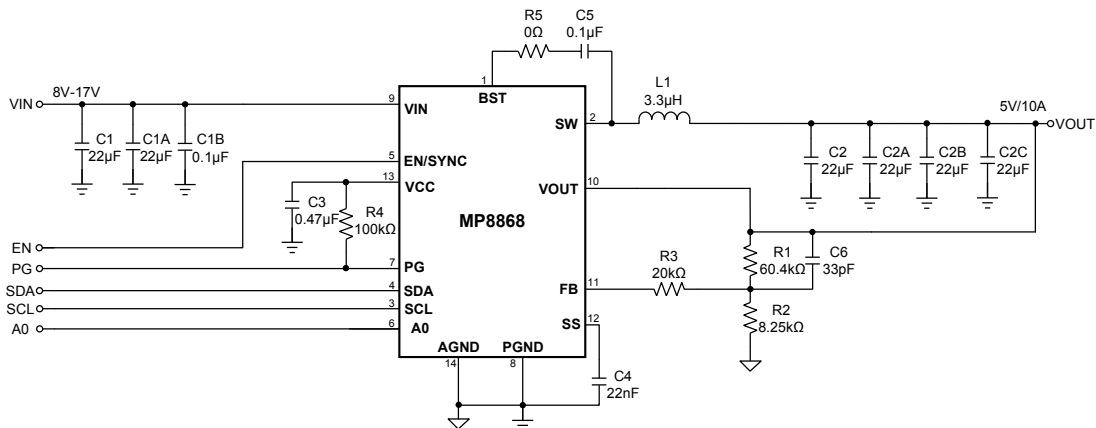
$V_{IN}$	12V
$V_{OUT}$	1V
$I_O$	10A

The detailed application schematics are shown in Figure 13. The typical performance and circuit waveforms have been shown in the Typical Performance Characteristics section. For more device applications, please refer to the related Evaluation Board Datasheets.



**TYPICAL APPLICATION CIRCUITS (13)**

**Figure 12:  $V_{IN}=4.5-17V$ ,  $V_{OUT}=0.9V$ ,  $I_{OUT}=10A$** 

**Figure 13:  $V_{IN}=4.5-17V$ ,  $V_{OUT}=1V$ ,  $I_{OUT}=10A$** 

**Figure 14:  $V_{IN}=4.5-17V$ ,  $V_{OUT}=1.2V$ ,  $I_{OUT}=10A$** 
**Notes:**

13) All circuits are basing on 0.6V default reference voltage.


**Figure 15:  $V_{IN}=4.5-17V$ ,  $V_{OUT}=2.5V$ ,  $I_{OUT}=10A$** 

**Figure 16:  $V_{IN}=6-17V$ ,  $V_{OUT}=3.3V$ ,  $I_{OUT}=10A^{(14)}$** 

**Figure 17:  $V_{IN}=8-17V$ ,  $V_{OUT}=5V$ ,  $I_{OUT}=10A^{(14)}$** 
**Notes:**

14) Basing on Evaluation Board test result at 25°C ambient temperature, lower input voltage will trigger over temperature protection with full load.

