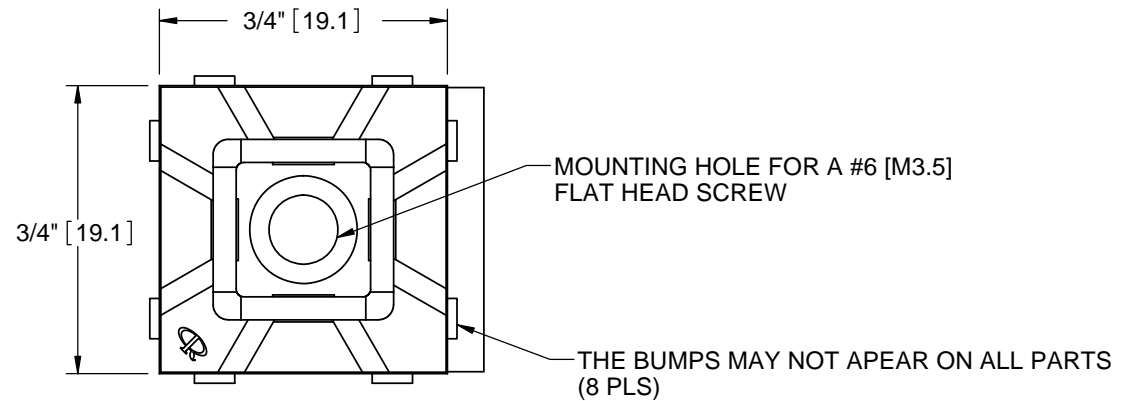
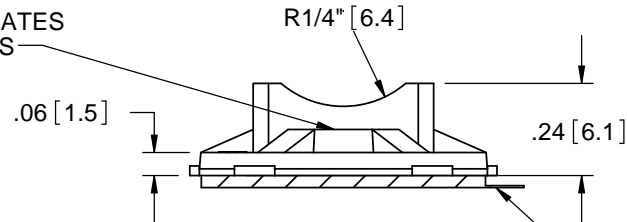


PART NO.	MATERIAL	COLOR	ADHESIVE
FTH-5-01	NYLON 6/6 (RMS-01)	NATURAL	NONE
FTH-5A-RT			ACRYLIC TAPE (RMS-15), WHITE LINER
FTH-5A1-RT			RUBBER TAPE (RMS-102), BLUE LINER
FTH-5-UVB	UVB STABILIZED NYLON (RMS-46)	BLACK	NONE
FTH-5A-RT-UVB			ACRYLIC TAPE (RMS-15), WHITE LINER
*FTH-5A1-RT-UVB			RUBBER TAPE (RMS-102), BLUE LINER

*AVAILABLE BY SPECIAL ORDER ONLY



ACCOMODATES WIT-18 TIES



NOTES:

- MATERIAL: FLAME RETARDANT NYLON 6/6 (RMS-19)
COLOR NATURAL.
AVAILABLE BY SPECIAL ORDER ONLY.
- PACKAGING QUANTITIES ARE REFLECTED AS THE SUFFIX "-LETTER"
EXAMPLE: FTH-5-01-M FOR 1000 PCS PER BAG.
-C = 100 PCS
-M = 1000 PCS

REV.			TITLE: FLAT TIE HOLDER				DWG IN IN [MM]		PRINT TYPE	
J	ADDED NOTE 2. SEE CO 200661 FOR CHANGES	SK 05.12.11					FINAL		QR	
I	SEE CO 200570 FOR CHANGES	SK 08/04/10	CREATED USING SOLIDWORKS	FILE #: FTH-5	DWN: SK	APP: -				
H	SEE CO 200248 FOR CHANGES	SK 10/30/08	TOLERANCES UNLESS NOTED	SHEET: 1 OF 1	SHEET SIZE: A	DT: 03/10/05	CHKD: -	PART #		CA
G	SEE ECN #1124 FOR CHANGES	SK 01/24/06	.XX=±.010	RE: RICHCO, INC.		RICHCO, INC.		SEE TABLE		
F	SEE ECN #962 FOR CHANGES	SK 03/10/05	.XXX=±.005			ENG@RICHCO-INC.COM				
-	SEE ENGINEERING FOR REV. A-E	-	FRAC.=±1/64			(773) 539-4060				
REV.	DESCRIPTION	ENGR. DATE	ANG.=±1°							