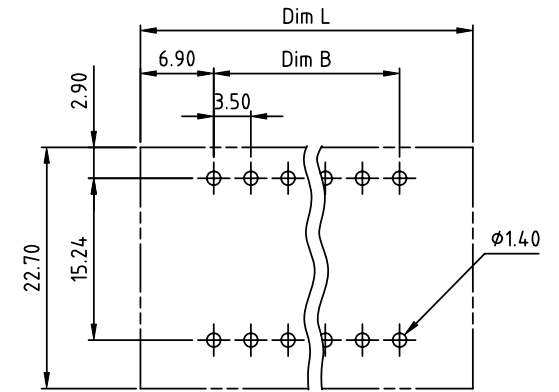
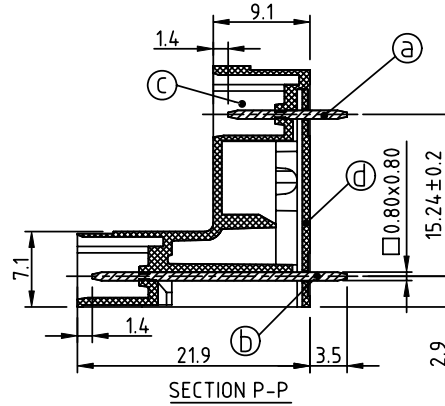
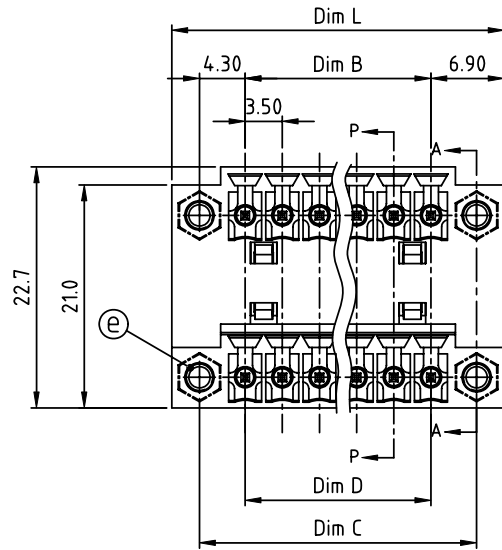
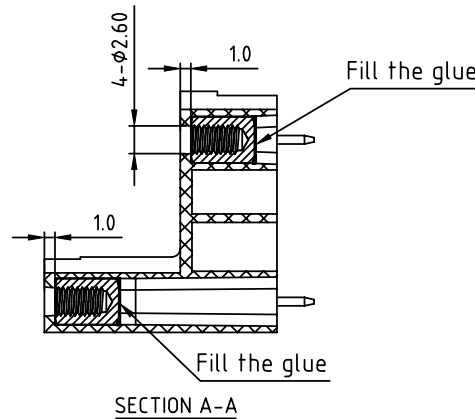


PRODUCT NUMBER	PITCH
VOxx12x000J0G	3.50 mm



RECOMMENDED P.C.B LAYOUT
TOP VIEW



SECTION A-A

Material:

- ItemⒶ Short pin: Copper, Tin plated
- ItemⒷ Long pin: Copper, Tin plated
- ItemⒸ Terminal (housing): Thermoplastic (UL94V-0)
- ItemⒹ Terminal (cover): Thermoplastic (UL94V-0)
- ItemⒺ With flange nut: Brass M2.5

Electrical:

- Voltage rating: 300V
- Current rating: 10A
- Withstanding Voltage: 1.6 KV
- Operating temperature: -40°C to +115°C
- Soldering temperature: 260°C±5°C/5 Sec
- Safety Approval:

N=Number of poles
 Dim L=(N/2-1)×3.5+13.8
 Dim B=(N/2-1)×3.5
 Dim C=(N/2-1)×3.5+8.6
 Dim D=(N/2-1)×3.5

Poles	Tolerance
2×2P-2×5P	±0.15
2×6P-2×10P	±0.20
2×11P-2×15P	±0.25
2×16P-2×20P	±0.30
2×21P-2×24P	±0.35

PART NO.: VO xx 12 x 0 00J0 G

	Color	RoHS compliant
Solid block	0 Black (RAL9005)	RoHS compliant (lead<4%) In copper Alloy
No. of poles	2 Red (RAL3001/D)	
04 2x2poles	3 Orange(RAL2011/P)	
06 2x3poles	4 Yellow(RAL1018/A)	
... ..	5 Green(RAL6018/T)	
48 2x24poles	6 Blue (RAL5015/A)	
	8 Grey(RAL7035/D)	
	9 White(RAL1102)	
	C Green(RAL6018/U)	

mat'l. code	surface ASME Y14.5	tolerance ASME Y14.5	projection 	product family TERMINAL BLOCK
ltr	ecn no	dr	date	title TERMINAL BLOCK
				PLUGGABLE SOCKET, WITH FLANGE, VERTICAL
				scale MM
				dwg no VOxx12x000J0G
				sheet 1 of 1 size A4
				type CUSTOMER Drawing
sheet index	revision	A		
	sheet	1		

