

REFERENCE SPECIFICATIONS

-NFC 93425 (in compliance with HE 507)

PHYSICAL CHARACTERISTICS

- INSULATOR MATERIAL: THERMOPLASTIC UL94V0
- CONTACT MATERIAL: PHOSPHOR BRONZE(SIGNAL CONTACT)
BRASS (POWERS CONTACT)
- ACCESSORIES: BRASS
- SHELLS: STEEL

ELECTRICAL CHARACTERISTICS

- NOMINAL CURRENT: 7.5A (SIGNAL CONTACT)
30A or 40A (POWER CONTACT)
- CONTACT RESISTANCE: <=7.3 m Ohms(SIGNAL and POWER)
- CONTACT/CONTACT : >=1000 V
- CONTACT/GROUND : >=1200 V
- INSULATION RESISTANCE: >=5000 MOhms

ENVIRONMENTAL CHARACTERISTICS

- CLIMATIC CATEGORY: 55/125/21
TEMPERATURE RANGE -55°C TO +125°C
DAMP HEAT STEADY STATE 21 DAYS
SALT SPRAY 48 HOURS

MECHANICAL CHARACTERISTICS

- RETENTION AGAINST TORQUE: - Threaded insert: 0.7 N.m minimum
- Female screw : 0.5 N.m minimum

NOTE RoHS INFORMATION

- The "LF" products meet european union Directives and other country regulations as described in GS-22-008.
- The housing will withstand exposure to 260°C peak temperature for 3.5 seconds in a wave solder application with a 1.6mm minimum thick circuit board. See application notes/procedures if they are available.
- Termination plating spec:
 - Signal contacts: Ni + Gold
 - Power contacts: Ni 1.27µm+Sn 2.5 to 7.5µm,pure bright
- Active area plating spec:
 - Signal and power contacts: Ni + Gold
- Shell plating :2 to 4µm Cu + nickel + 3 to 10µmm Sn,pure bright
- Accessories: Sn pure bright + nickel
- Packaging spec: See GS-14-920

DBL13W3S500G30LF

Series

Shell size: **E A B C D**
(see sheet 3)

Front accessory definition
(see sheet 2)

- blank**:without accessory
- L** :threaded insert M3
- O** :threaded insert UNC 4-40
- V** :female screw UNC 4-40

Layout of contacts (see sheet 3)

Contacts

S :Socket

Termination type

5 Right angle/Europe standard

Plating

- 00** 200 matings/unmatings
- 43** 500 matings/unmatings

PCB accessories definition(see sheet 2)

- A** :without accessory
- H** :Metal brackets+harpoons for PCB 2.40mm
- G** :Metal brackets+harpoons for PCB 1.60mm
- M** :Metal brackets

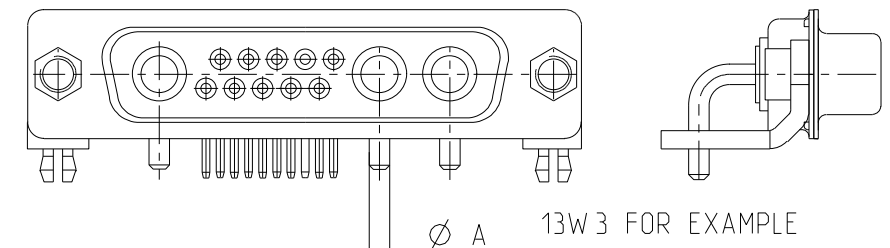
Power contacts

- 00** :Not fitted with power contact (signal contacts always fitted)
- 30** :Fitted with power contacts 30 Amp.
- 40** :Fitted with power contacts 40 Amp.

See note RoHS

TABLE 1:PCB HOLE DIAMETERS

	POWER CONTACTS		ACCESSORIES	SIGNAL CONTACT
30 A	2.00	Ø2.40	Ø3.10	Ø0.9 min
40 A	2.80	Ø3.10		
Max current power	ØA ^{+0.1} ₀	PCB HOLE ±0.1	PCB HOLE ±0.1	PCB HOLE



rev	ecn no	dr	date
A	LS05-0101	MPE	2005-10-11
B	LS06-0208	LGO	2006-12-12
C	LS07-0273	MPE	2007/10/31
D	F09-0092	LSA	2009/09/16
E	F10-0060	LSA	2010/06/01
-	-	-	-
-	-	-	-

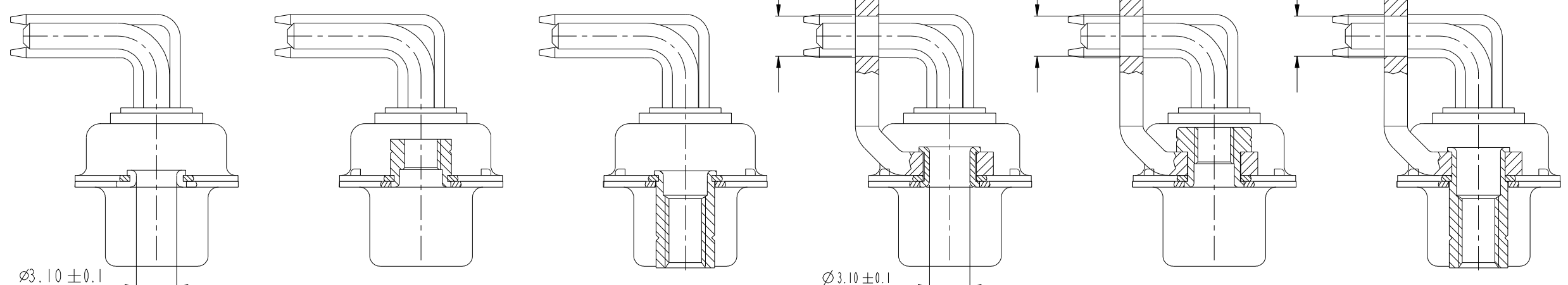
www.fciconnect.com		surface	-	tolerance std	ISO 1302	ISO 1101	projection	mm
Dr M PESSON 2005-10-11		ANGULAR		0.X	±0.3	size	A2	Scale
Eng P LEGARE 2005-10-11		LINEAR		0.XX	±0.1	ECN	F10-0060	2:1
Chr		0° ±2°		0.XXX	±0.05	Product family	-	Spec ref
Appr		Product family		-		-		-
FCI		title		SUB FEMALE DMW EUROPE		dwg no		C01-8639-2300
-		-		mixed power right angled solder		-		Rev.
-		-		-		CUSTOMER		sheet 1 of 7

Copyright FCI.

1 2 3 4 5 6 7 8

A

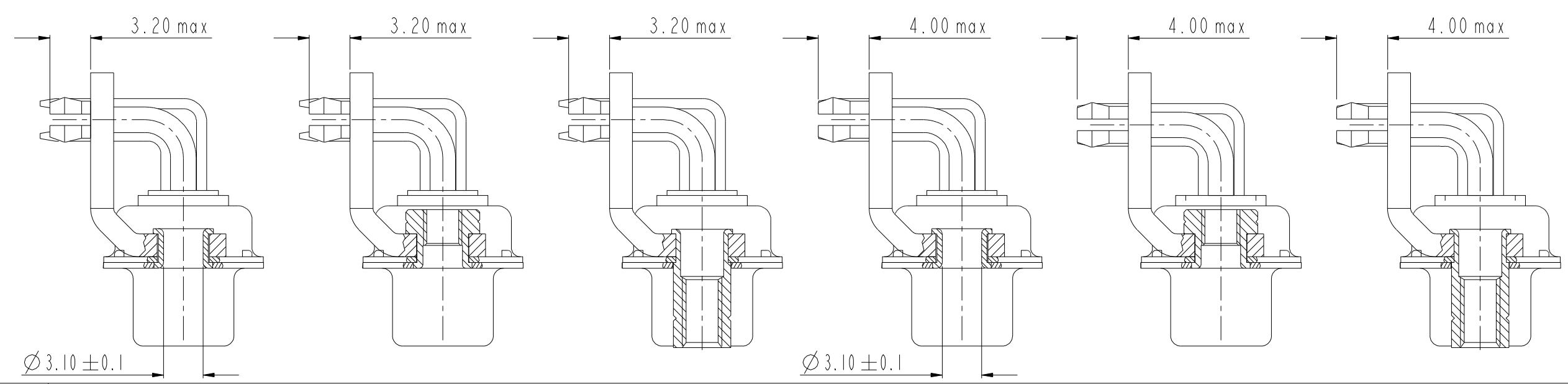
B



FRONT ACCESSORY	Blank Without	L insert M3 O insert UNC 4.40	v insert UNC 4.40	Blank Without	L insert M3 O insert UNC 4.40	v insert UNC 4.40
PCB ACCESSORIES	A Without	A Without	A Without	M Metal brackets	M Metal brackets	M Metal bracket

C

D



FRONT ACCESSORY	Blank Without	L insert M3 O insert UNC 4.40	v insert UNC 4.40	Blank Without	L insert M3 O insert UNC 4.40	v insert UNC 4.40
PCB ACCESSORIES	G Metal brackets + harpoons for PCB 1.60mm	G Metal brackets + harpoons for PCB 1.60mm	G Metal brackets + harpoons for PCB 1.60mm	H Metal brackets + harpoons for PCB 2.40mm	H Metal brackets + harpoons for PCB 2.40mm	H Metal brackets + harpoons for PCB 2.40mm

E

FCI
Copyright FCI.

F

www.fciconnect.com		surface - ✓	tolerance std ISO 1302	ISO 406	ISO 1101	projection	mm
		TOLERANCES UNLESS OTHERWISE SPECIFIED			size	A2	Scale 2:1
Dr	M PESSON	2005-10-11	ANGULAR	0.X	±0.3	size	ECN F10-0060
Eng	P LEGARE	2005-10-11	LINEAR	0.XX	±0.1	Product family	- Spec ref
Chr			0° ±2°	0.XXX	±0.05		
Appr							
FCI		SUB FEMALE DMW EUROPE		mixed power right angled solder		dwg no	C01-8639-2300
catalog no						CUSTOMER	sheet 2 of 7

SCALE: 4

REV C - 2004-03-28

1 2 3 4 5 6 7 8

PART NUMBER	AMPS	MATINGS/ UNMATINGS	FRONT ACCESSORY	PCB ACCESSORIES
D*xWxS500A30LF	30	200	without	without
D*LxWxS500A30LF	30	200	insert M3	without
D*OxWxS500A30LF	30	200	insert UNC 4.40	without
D*VxWxS500A30LF	30	200	female screw UNC 4.40	without
D*xWxS500H30LF	30	200	without	metal bracket+harpoon PCB 2.40mm
D*LxWxS500H30LF	30	200	insert M3	metal bracket+harpoon PCB 2.40mm
D*OxWxS500H30LF	30	200	insert UNC 4.40	metal bracket+harpoon PCB 2.40mm
D*VxWxS500H30LF	30	200	female screw UNC 4.40	metal bracket+harpoon PCB 2.40mm
D*xWxS500G30LF	30	200	without	metal bracket+harpoon PCB 1.60mm
D*LxWxS500G30LF	30	200	insert M3	metal bracket+harpoon PCB 1.60mm
D*OxWxS500G30LF	30	200	insert UNC 4.40	metal bracket+harpoon PCB 1.60mm
D*VxWxS500G30LF	30	200	female screw UNC 4.40	metal bracket+harpoon PCB 1.60mm
D*xWxS500M30LF	30	200	without	metal bracket
D*LxWxS500M30LF	30	200	insert M3	metal bracket
D*OxWxS500M30LF	30	200	insert UNC 4.40	metal bracket
D*VxWxS500M30LF	30	200	female screw UNC 4.40	metal bracket

PART NUMBER	AMPS	MATINGS/ UNMATINGS	FRONT ACCESSORY	PCB ACCESSORIES
D*xWxS500A40LF	40	200	without	without
D*LxWxS500A40LF	40	200	insert M3	without
D*OxWxS500A40LF	40	200	insert UNC 4.40	without
D*VxWxS500A40LF	40	200	female screw UNC 4.40	without
D*xWxS500H40LF	40	200	without	metal bracket+harpoon PCB 2.40mm
D*LxWxS500H40LF	40	200	insert M3	metal bracket+harpoon PCB 2.40mm
D*OxWxS500H40LF	40	200	insert UNC 4.40	metal bracket+harpoon PCB 2.40mm
D*VxWxS500H40LF	40	200	female screw UNC 4.40	metal bracket+harpoon PCB 2.40mm
D*xWxS500G40LF	40	200	without	metal bracket+harpoon PCB 1.60mm
D*LxWxS500G40LF	40	200	insert M3	metal bracket+harpoon PCB 1.60mm
D*OxWxS500G40LF	40	200	insert UNC 4.40	metal bracket+harpoon PCB 1.60mm
D*VxWxS500G40LF	40	200	female screw UNC 4.40	metal bracket+harpoon PCB 1.60mm
D*xWxS500M40LF	40	200	without	metal bracket
D*LxWxS500M40LF	40	200	insert M3	metal bracket
D*OxWxS500M40LF	40	200	insert UNC 4.40	metal bracket
D*VxWxS500M40LF	40	200	female screw UNC 4.40	metal bracket

shell size *
E
A
A
B
B
B
B
C
C
C
D

LAYOUTS
xWx
5W1
11W1
7W2
21W1
17W2
13W3
9W4
25W3
21WA4
27W2
24W7

PART NUMBER	AMPS	MATINGS/ UNMATINGS	FRONT ACCESSORY	PCB ACCESSORIES
D*xWxS543A30LF	30	500	without	without
D*LxWxS543A30LF	30	500	insert M3	without
D*OxWxS543A30LF	30	500	insert UNC 4.40	without
D*VxWxS543A30LF	30	500	female screw UNC 4.40	without
D*xWxS543H30LF	30	500	without	metal bracket+harpoon PCB 2.40mm
D*LxWxS543H30LF	30	500	insert M3	metal bracket+harpoon PCB 2.40mm
D*OxWxS543H30LF	30	500	insert UNC 4.40	metal bracket+harpoon PCB 2.40mm
D*VxWxS543H30LF	30	500	female screw UNC 4.40	metal bracket+harpoon PCB 2.40mm
D*xWxS543G30LF	30	500	without	metal bracket+harpoon PCB 1.60mm
D*LxWxS543G30LF	30	500	insert M3	metal bracket+harpoon PCB 1.60mm
D*OxWxS543G30LF	30	500	insert UNC 4.40	metal bracket+harpoon PCB 1.60mm
D*VxWxS543G30LF	30	500	female screw UNC 4.40	metal bracket+harpoon PCB 1.60mm
D*xWxS543M30LF	30	500	without	metal bracket
D*LxWxS543M30LF	30	500	insert M3	metal bracket
D*OxWxS543M30LF	30	500	insert UNC 4.40	metal bracket
D*VxWxS543M30LF	30	500	female screw UNC 4.40	metal bracket

PART NUMBER	AMPS	MATINGS/ UNMATINGS	FRONT ACCESSORY	PCB ACCESSORIES
D*xWxS543A40LF	40	500	without	without
D*LxWxS543A40LF	40	500	insert M3	without
D*OxWxS543A40LF	40	500	insert UNC 4.40	without
D*VxWxS543A40LF	40	500	female screw UNC 4.40	without
D*xWxS543H40LF	40	500	without	metal bracket+harpoon PCB 2.40mm
D*LxWxS543H40LF	40	500	insert M3	metal bracket+harpoon PCB 2.40mm
D*OxWxS543H40LF	40	500	insert UNC 4.40	metal bracket+harpoon PCB 2.40mm
D*VxWxS543H40LF	40	500	female screw UNC 4.40	metal bracket+harpoon PCB 2.40mm
D*xWxS543G40LF	40	500	without	metal bracket+harpoon PCB 1.60mm
D*LxWxS543G40LF	40	500	insert M3	metal bracket+harpoon PCB 1.60mm
D*OxWxS543G40LF	40	500	insert UNC 4.40	metal bracket+harpoon PCB 1.60mm
D*VxWxS543G40LF	40	500	female screw UNC 4.40	metal bracket+harpoon PCB 1.60mm
D*xWxS543M40LF	40	500	without	metal bracket
D*LxWxS543M40LF	40	500	insert M3	metal bracket
D*OxWxS543M40LF	40	500	insert UNC 4.40	metal bracket
D*VxWxS543M40LF	40	500	female screw UNC 4.40	metal bracket

Copyright FCI.
FCI

www.fciconnect.com		surface - ✓ ISO 1302	tolerance std ISO 406 ISO 1101 TOLERANCES UNLESS OTHERWISE SPECIFIED	projection mm A2	Scale 2:1
Dr	M PESSON	2005-10-11	ANGULAR	0.X ±0.3	size
Eng	P LEGARE	2005-10-11	LINEAR	0.XX ±0.1	ECN
Chr			0° ±2°	0.XXX ±0.05	F10-0060
Appr			Product family	-	Spec ref
FCI		SUB FEMALE DMW EUROPE		dwg no	Rev.
		mixed power right angled solder		C01-8639-2300	E
		catalog no		CUSTOMER	sheet 3 of 7

5W1

LAYOUT AND CONNECTOR DIMENSIONS
For PCB hole diameters see table I sheet I

11W1

LAYOUT AND CONNECTOR DIMENSIONS
For PCB hole diameters see table I sheet I

7W2

LAYOUT AND CONNECTOR DIMENSIONS
For PCB hole diameters see table I sheet I

SIDE VIEW FOR ALL LAYOUTS
(except size D)

A

B

C

D

E

F

A

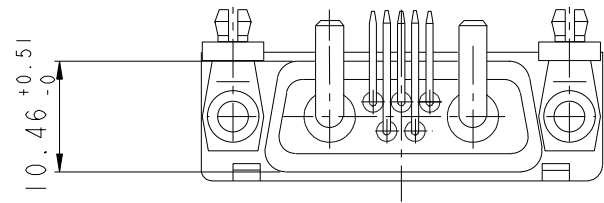
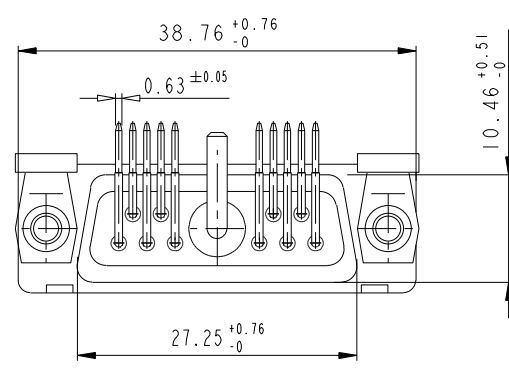
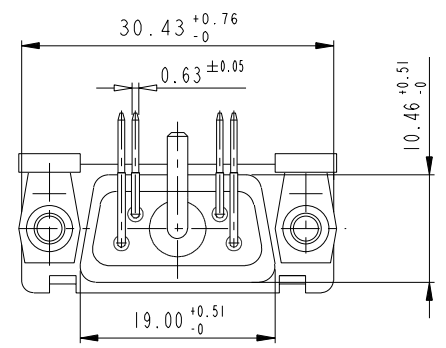
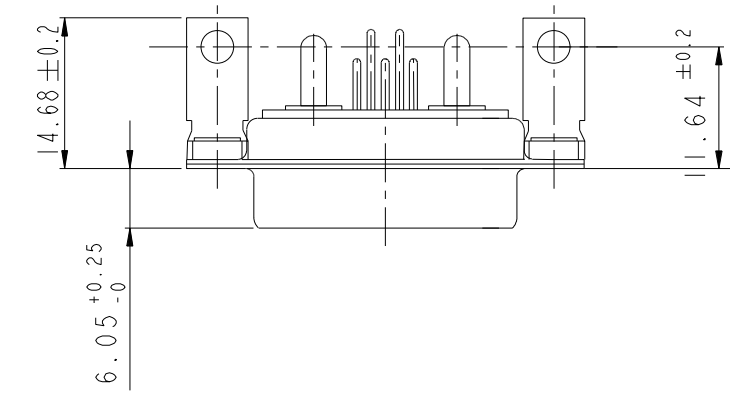
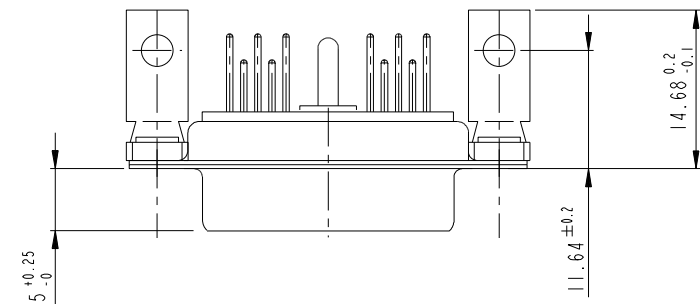
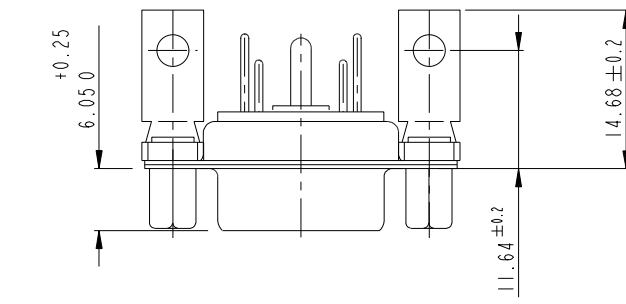
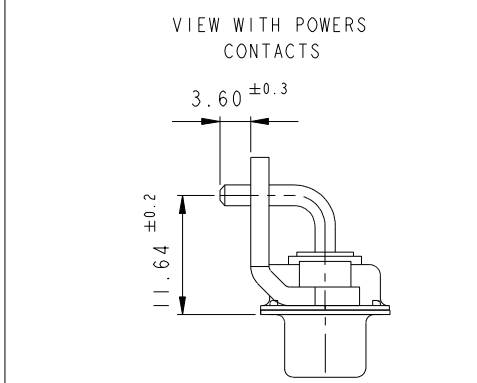
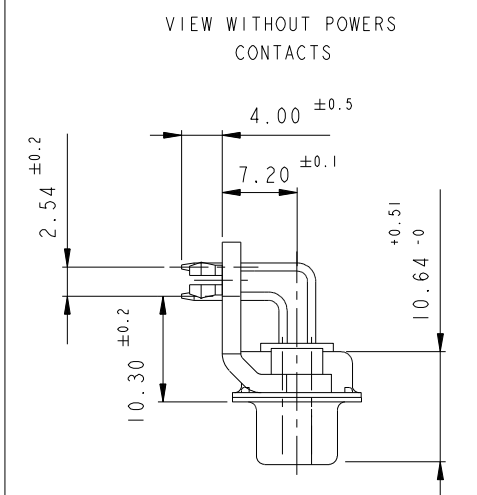
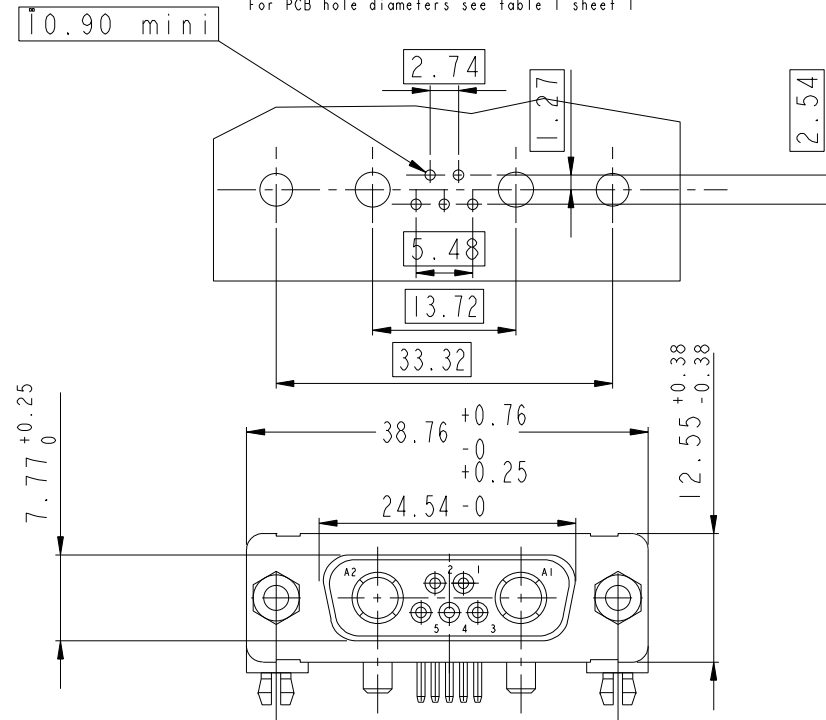
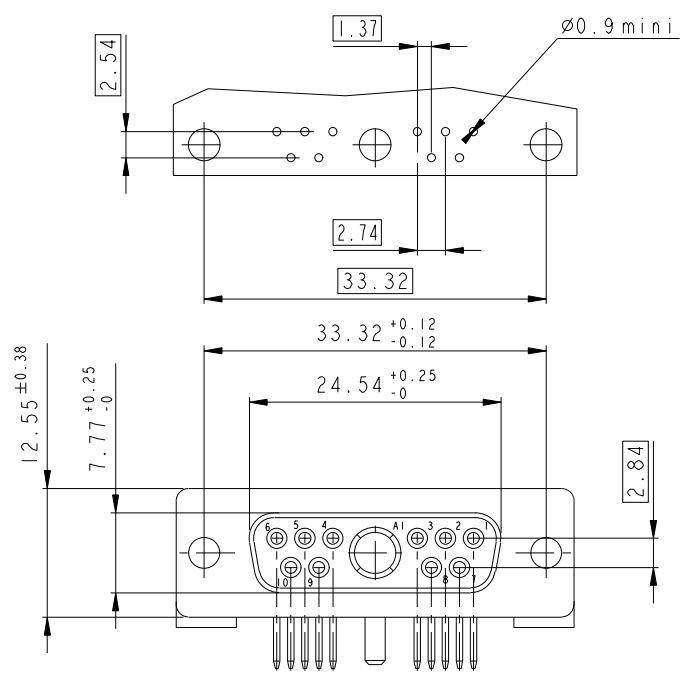
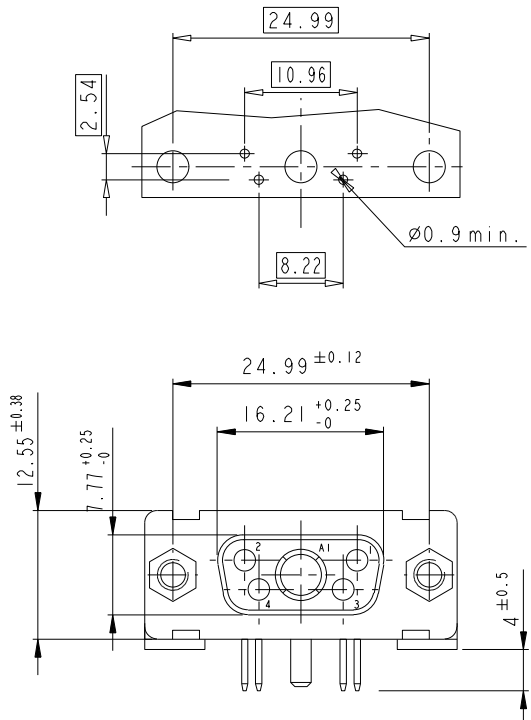
B

C

D

E

F



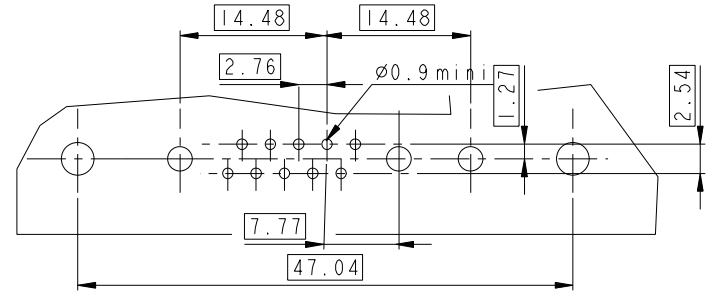
Floating signal contacts

Copyright FCI.

www.fciconnect.com		surface <input checked="" type="checkbox"/> ISO 1302	tolerance std ISO 406	projection	mm
		TOLERANCES UNLESS OTHERWISE SPECIFIED			
Dr	M PESSON	2005-10-11	ANGULAR	0.X	± 0.3
Eng	P LEGARE	2005-10-11	LINEAR	0.XX	± 0.1
Chr			$0^\circ \pm 2^\circ$	0.XXX	± 0.05
Appr			Product family	- Spec ref	
		SUB FEMALE DMW EUROPE		dwg no C01-8639-2300	
		mixed power right angled solder		Rev. E	
		catalog no		CUSTOMER sheet 4 of 7	

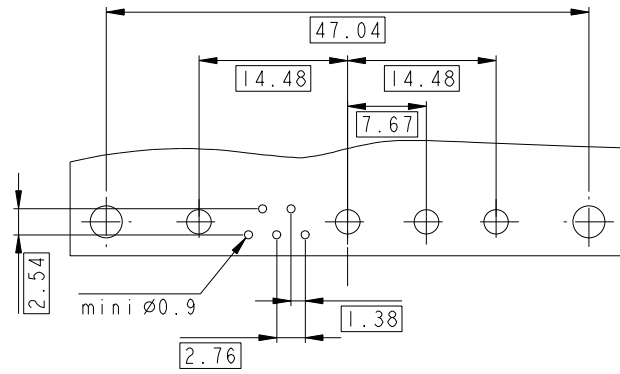
13W3

LAYOUT AND CONNECTOR DIMENSIONS
For PCB hole diameters see table I sheet I



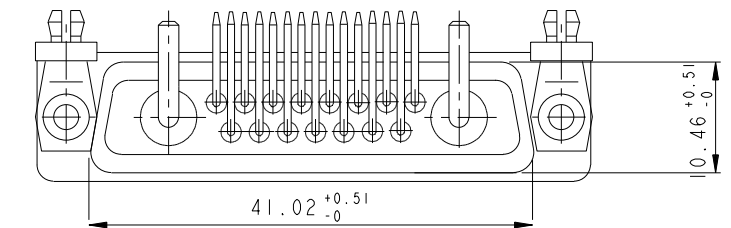
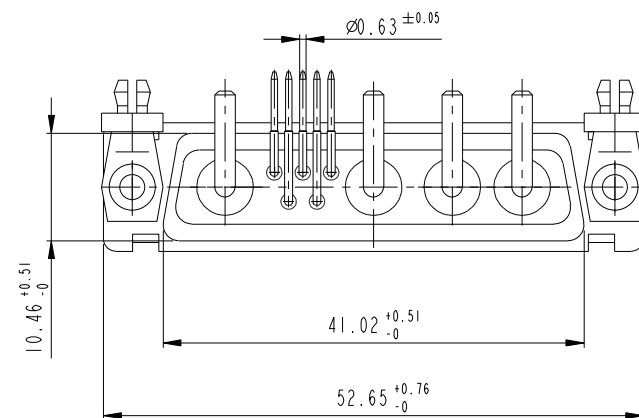
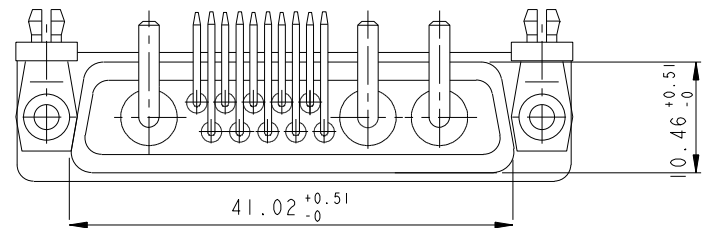
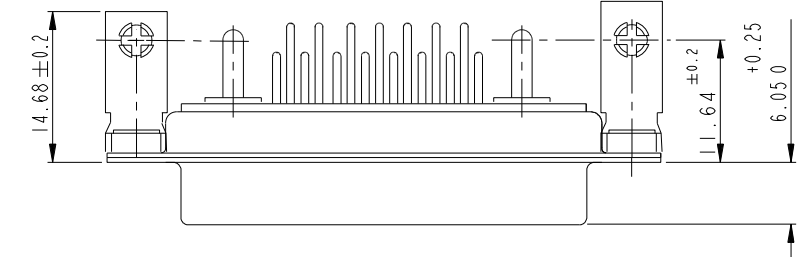
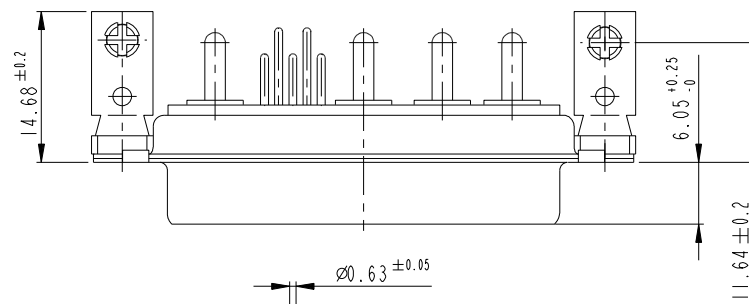
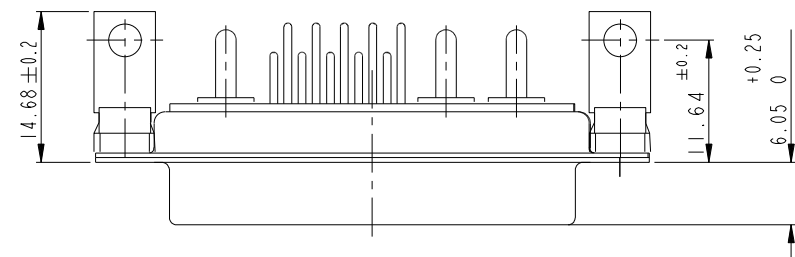
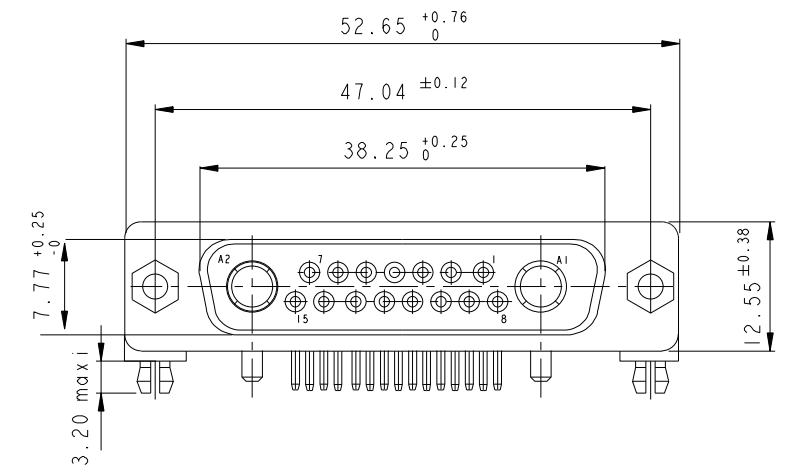
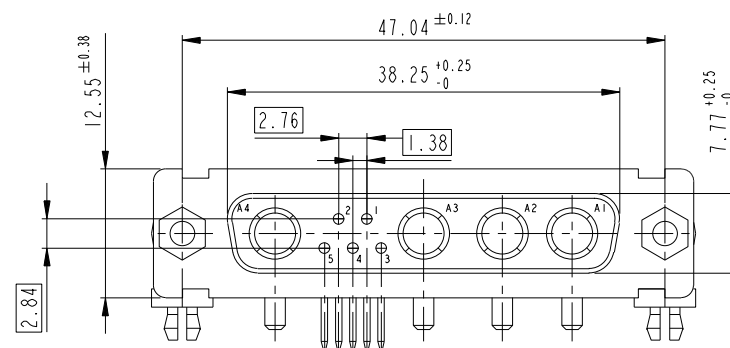
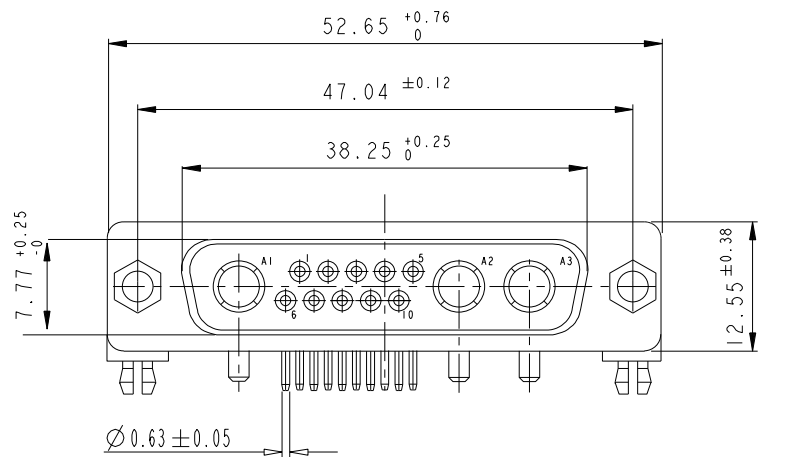
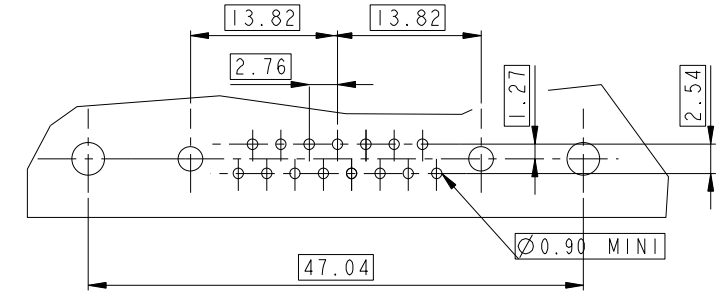
9W4

LAYOUT AND CONNECTOR DIMENSIONS
For PCB hole diameters see table I sheet I



17W2

LAYOUT AND CONNECTOR DIMENSIONS
For PCB hole diameters see table I sheet I



Floating signal contacts



Copyright FCI.

www.fciconnect.com		surface - ✓	tolerance std ISO 1302	ISO 406	ISO 1101	projection	mm
		TOLERANCES UNLESS OTHERWISE SPECIFIED					
Dr	M PESSON	2005-10-11	ANGULAR	0.X	±0.3	size	Scale
Eng	P LEGARE	2005-10-11	LINEAR	0.XX	±0.1	A2	2:1
Chr			0° ±2°	0.XXX	±0.05	ECN	F10-0060
Appr			Product family	-		Spec ref	
		SUB FEMALE DMW EUROPE			dwg no	C01-8639-2300	
		mixed power right angled solder				Rev.	E
		catalog no	-		CUSTOMER	sheet 5 of 7	

REV C - 2004-03-28

1

2

3

4

5

6

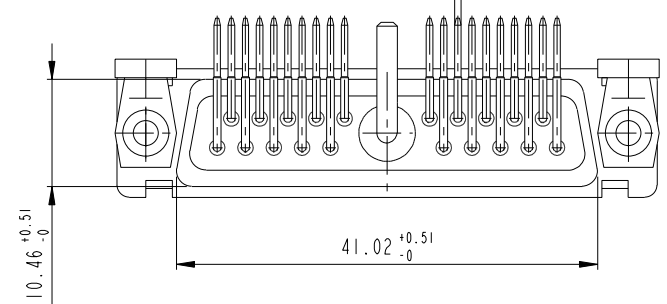
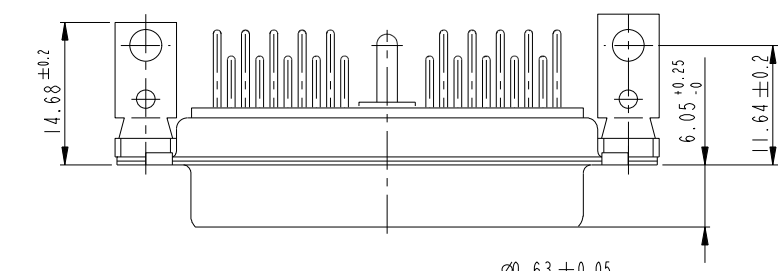
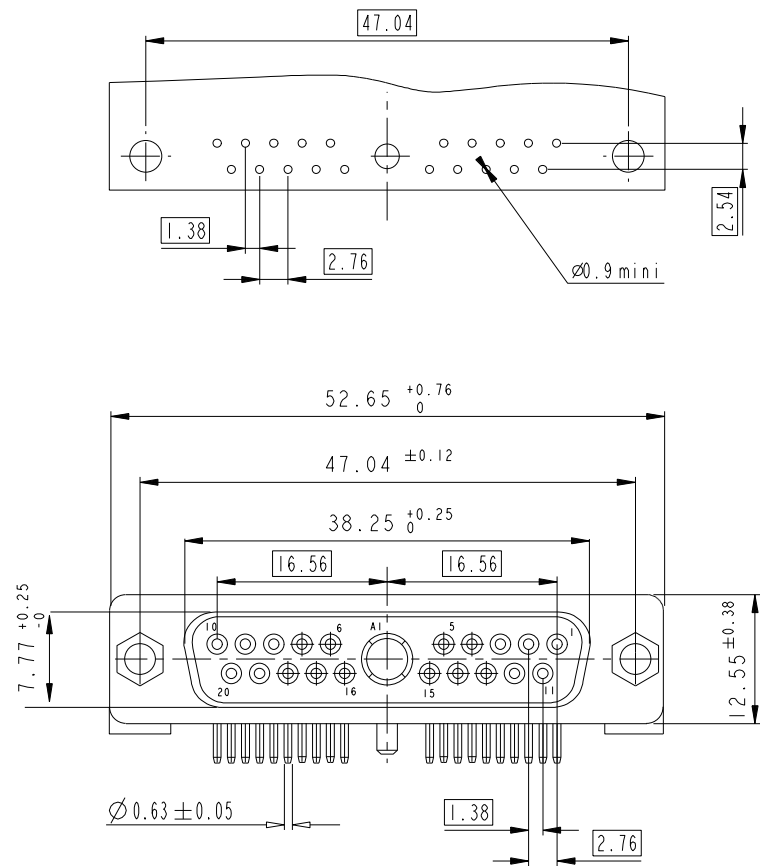
7

8

21W1

LAYOUT AND CONNECTOR DIMENSIONS

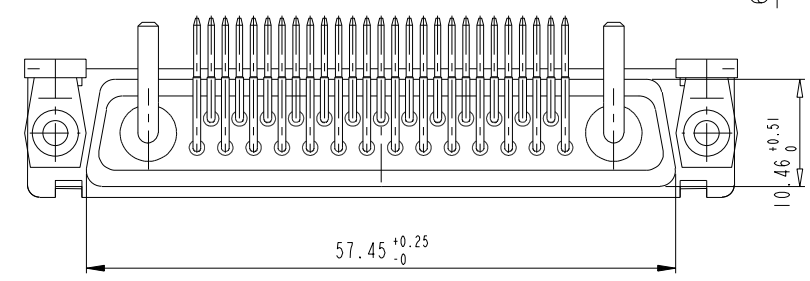
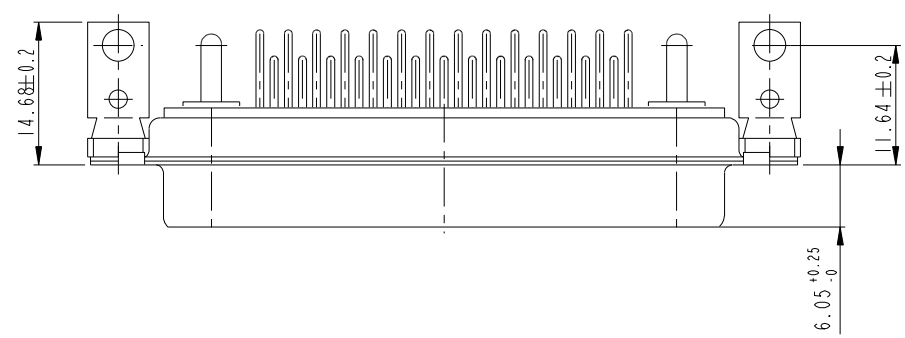
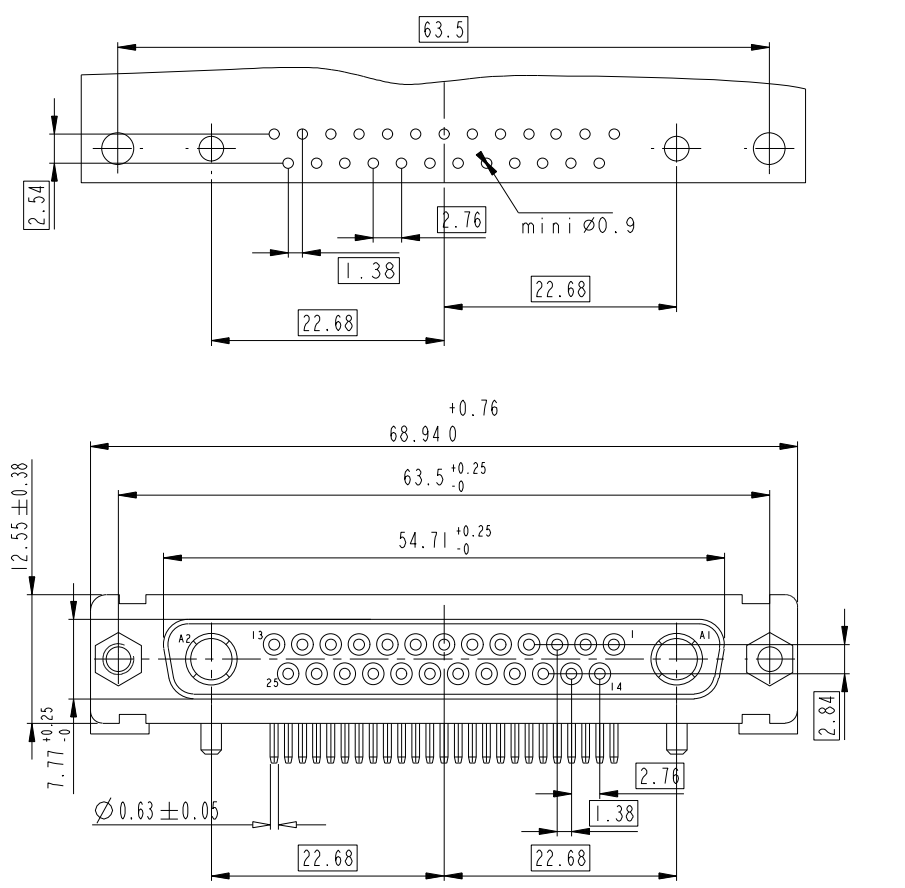
For PCB hole diameters see table I sheet 1



27W2

LAYOUT AND CONNECTOR DIMENSIONS

For PCB hole diameters see table I sheet 1



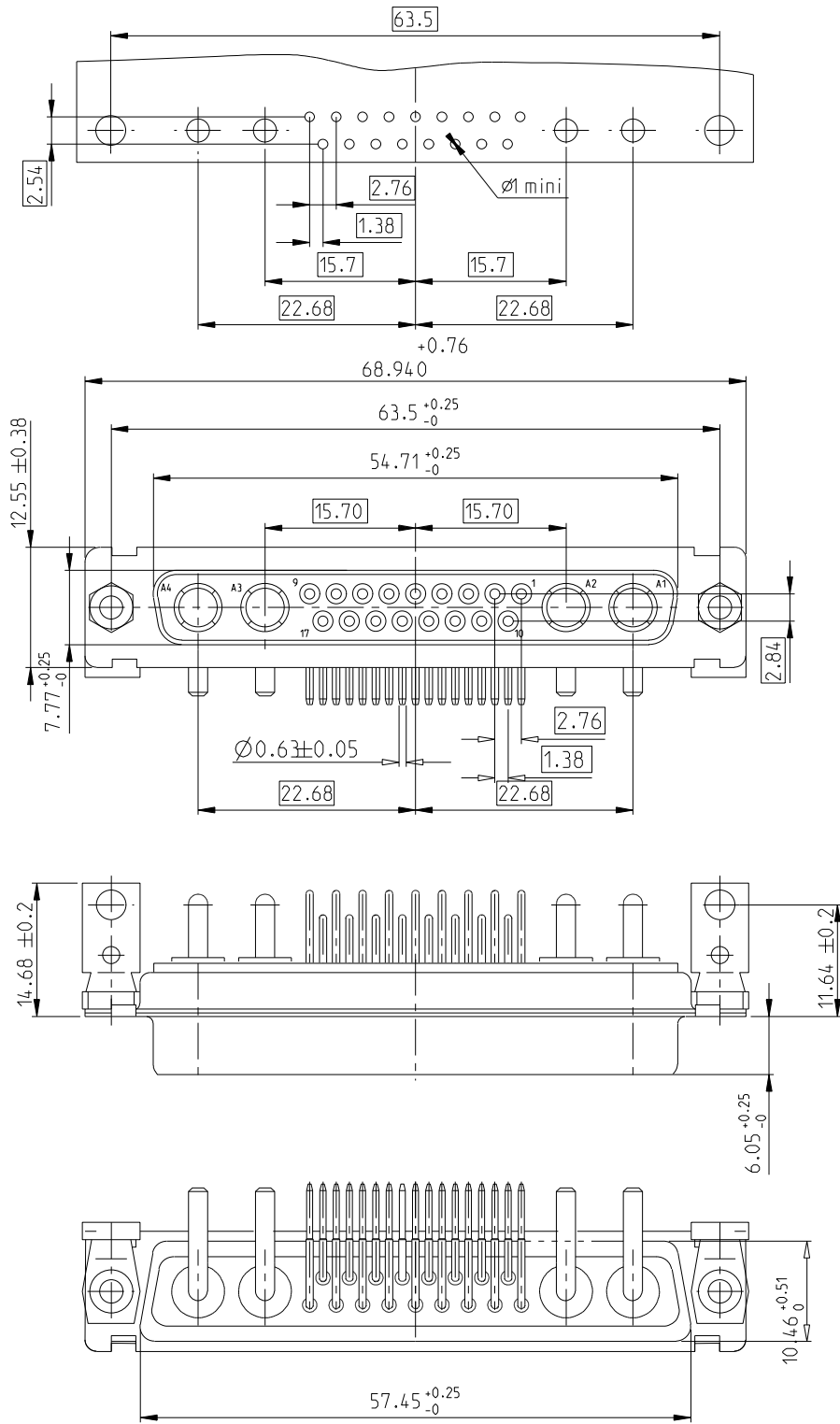
Copyright FCI.

www.fciconnect.com		surface - ✓	tolerance std	projection	mm
		ISO 1302	ISO 406 ISO 1101		
		TOLERANCES UNLESS OTHERWISE SPECIFIED			
Dr	M PESSON	2005-10-11	ANGULAR	0.X ±0.3	size A2
Eng	P LEGARE	2005-10-11	LINEAR	0.XX ±0.1	Scale 2:1
Chr			0° ±2°	0.XXX ±0.05	ECN F10-0060
Appr			Product family	-	Spec ref
		SUB FEMALE DMW EUROPE		dwg no	Rev.
		mixed power right angled solder		C01-8639-2300	E
		catalog no	-	CUSTOMER	sheet 6 of 7

REV C - 2004-03-28

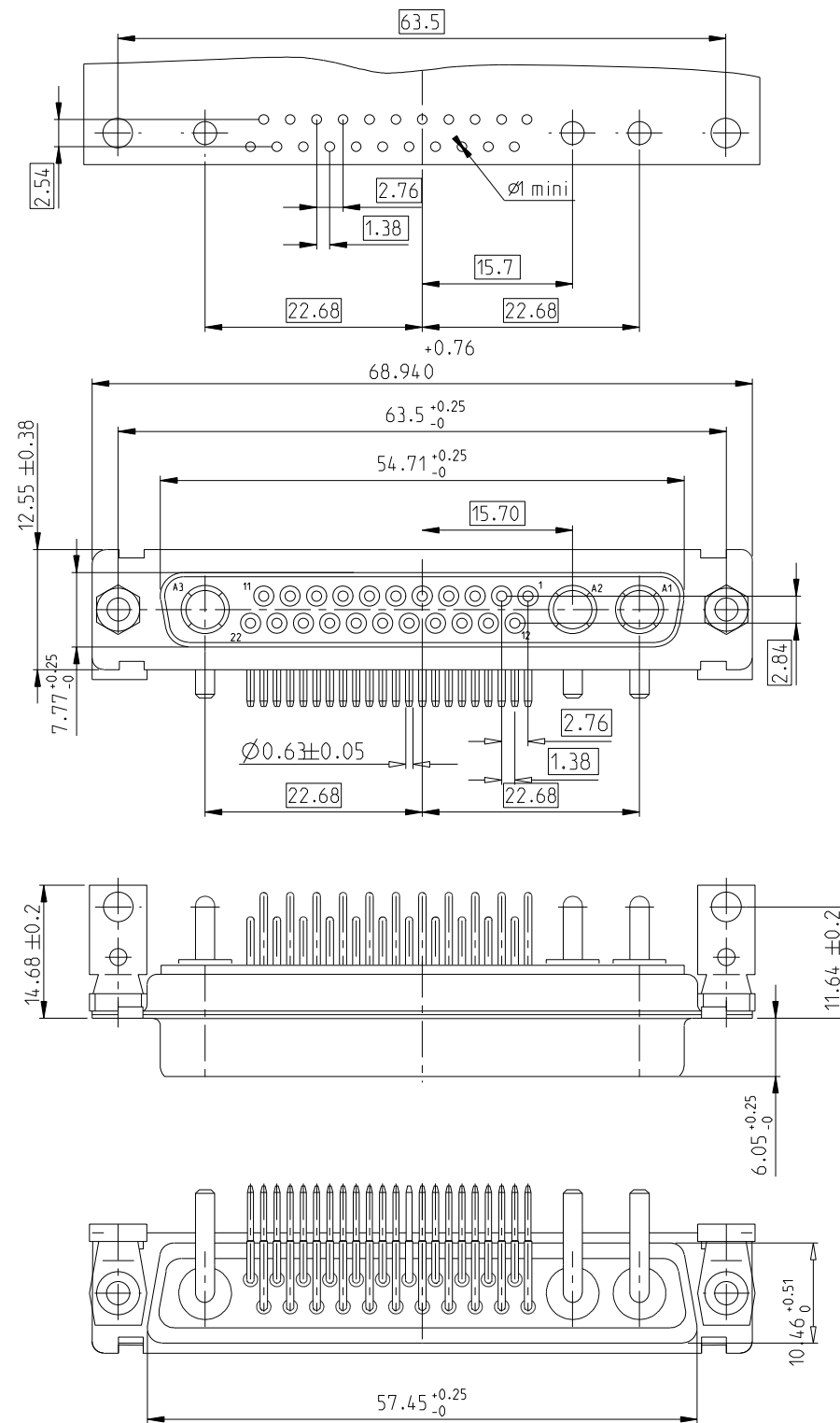
21W A4

LAYOUT AND CONNECTOR DIMENSIONS
For PCB hole diameters see table 1 sheet 1



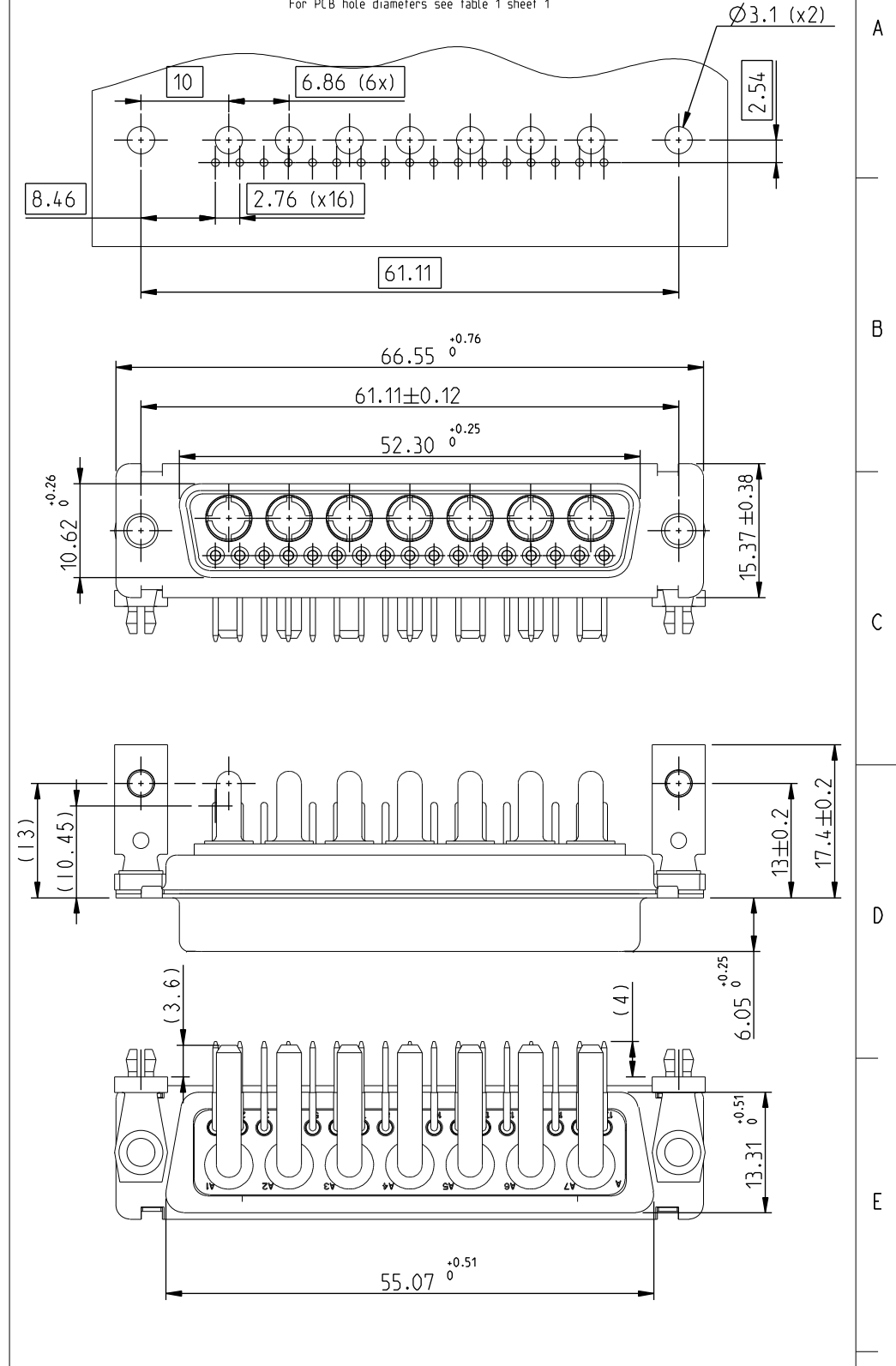
25W 3

LAYOUT AND CONNECTOR DIMENSIONS
For PCB hole diameters see table 1 sheet 1



24W 7

LAYOUT AND CONNECTOR DIMENSIONS
For PCB hole diameters see table 1 sheet 1



Copyright FCI.

www.fciconnect.com		surface ISO 1302	tolerance std ISO 406 ISO 1101	projection mm
		TOLERANCES UNLESS OTHERWISE SPECIFIED		mm
Dr	M PESSON	2005-10-11	ANGULAR	0.X ±0.3
Eng	P LEGARE	2005-10-11	LINEAR	0.XX ±0.1
Chr			0° ±2°	0.XXX ±0.05
Appr			Product family	- Spec ref
FCI title SUB FEMALE DMW EUROPE mixed power right angled solder		catalog no		dwg no C01-8639-2300
				Rev. E