

# DIN rail mounting frame - HC-CIF-B06-24-BFAFL-PL - 1424338


Please be informed that the data shown in this PDF Document is generated from our Online Catalog. Please find the complete data in the user's documentation. Our General Terms of Use for Downloads are valid (<http://phoenixcontact.com/download>)



DIN rail mounting frame, type: B6 - B24, for contact inserts



## Key Commercial Data

Packing unit	1 STK
GTIN	 4 055626 370767
GTIN	4055626370767

## Technical data

### Dimensions

Length	120 mm
Width	48 mm
Height	86 mm

### Ambient conditions

Ambient temperature (operation)	-40 °C ... 125 °C
---------------------------------	-------------------

### General

Size	B6 - B24
Material	PC
Flammability rating according to UL 94	V0
Color	traffic grey
Note	for B, BB, DD, HV contact inserts and module frame
Mounting type	DIN rail: 35 mm

### Standards and Regulations

Flammability rating according to UL 94	V0
--	----

### Environmental Product Compliance

REACH SVHC	Lead 7439-92-1
------------	----------------

# DIN rail mounting frame - HC-CIF-B06-24-BFAFL-PL - 1424338

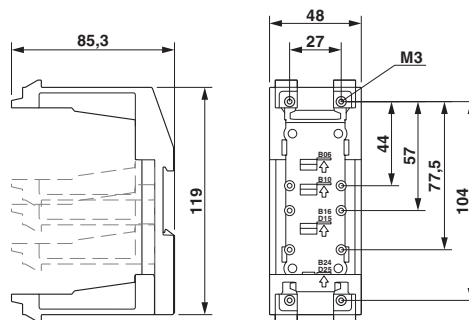
## Technical data

### Environmental Product Compliance

China RoHS	Environmentally Friendly Use Period = 50
	For details about hazardous substances go to tab "Downloads", Category "Manufacturer's declaration"

## Drawings

Dimensional drawing



Dimensional drawing

## Approvals

Approvals

Approvals

EAC

Ex Approvals

### Approval details

EAC		EAC-Zulassung
-----	--	---------------

Phoenix Contact 2018 © - all rights reserved  
<http://www.phoenixcontact.com>

PHOENIX CONTACT GmbH & Co. KG  
Flachsmarktstr. 8  
32825 Blomberg  
Germany  
Tel. +49 5235 300  
Fax +49 5235 3 41200  
<http://www.phoenixcontact.com>