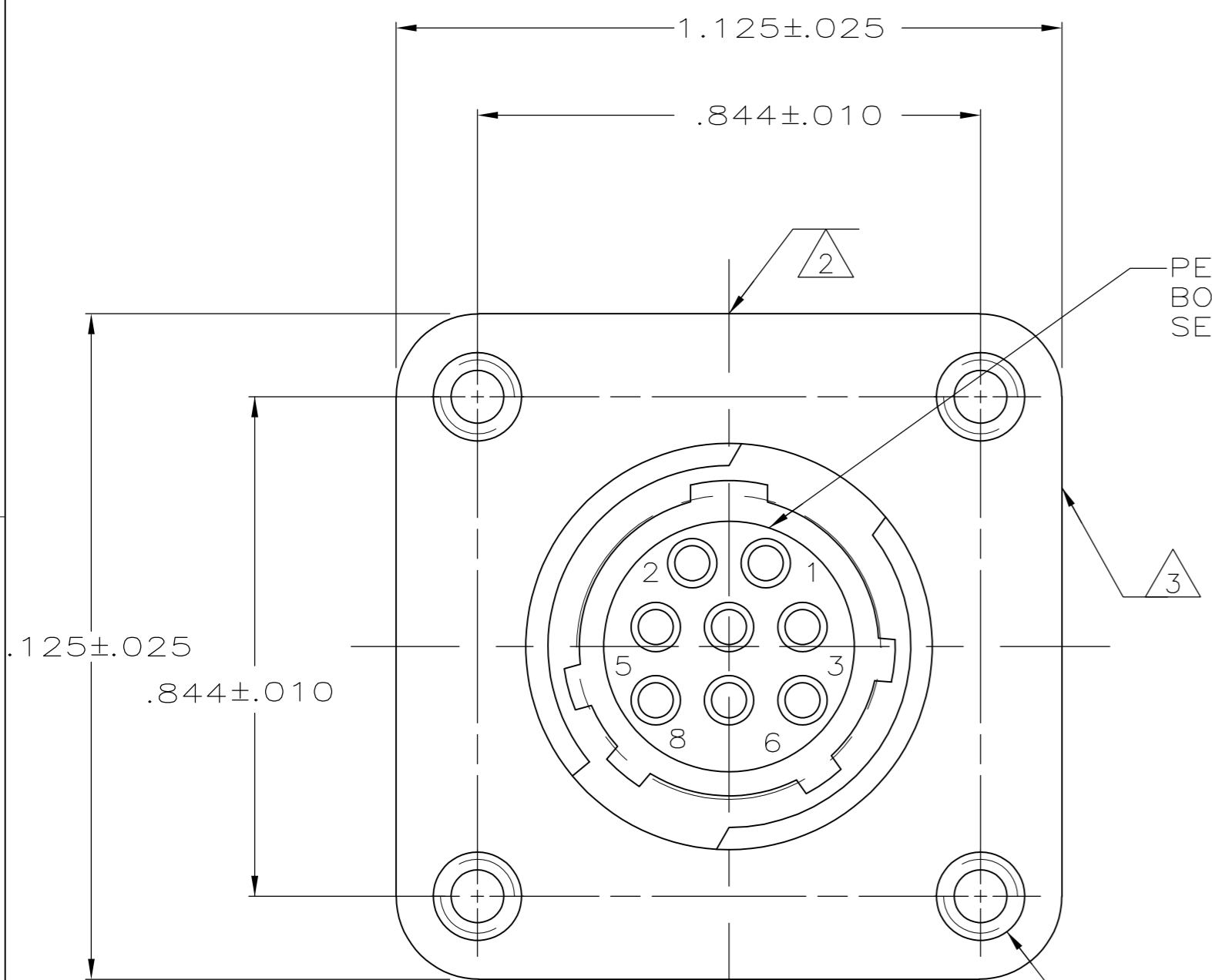


THIS DRAWING IS UNPUBLISHED. RELEASED FOR PUBLICATION
 © COPYRIGHT - By - ALL RIGHTS RESERVED.

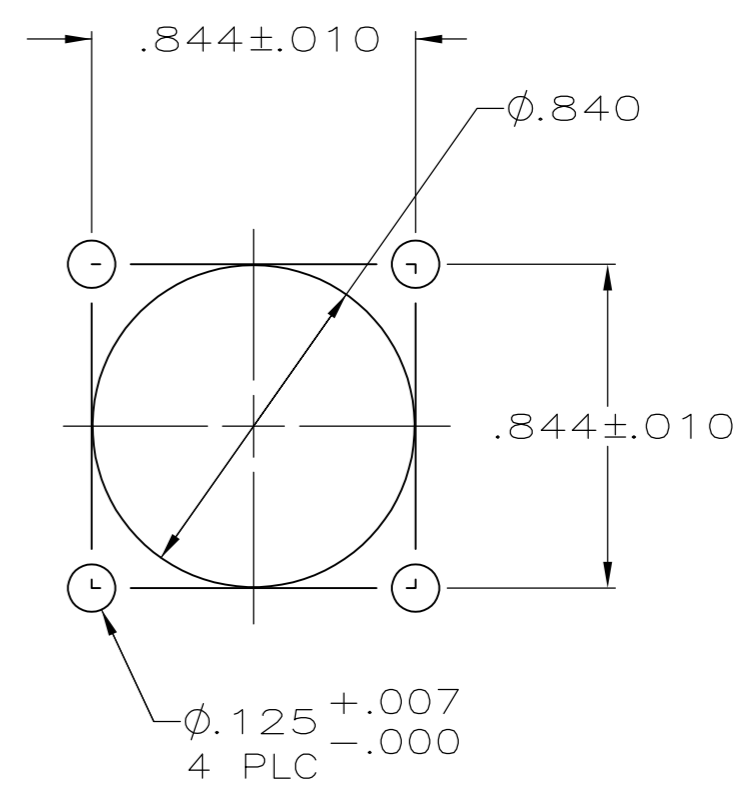
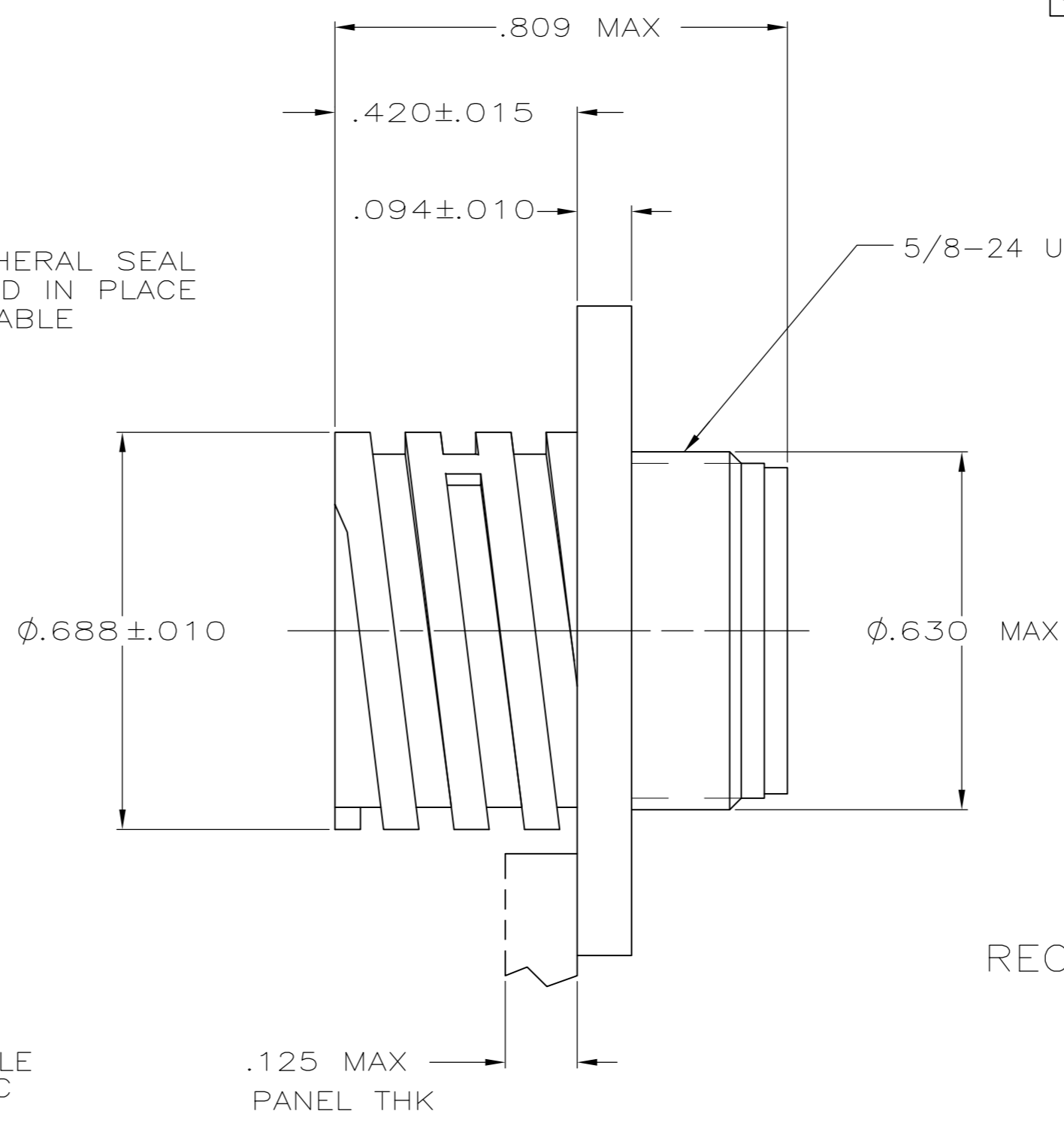
| LOC | | DIST | | REVISIONS | | | |
|-----|-----|-------------|---------------------------|-----------|---------|------|-----|
| P | LTR | DESCRIPTION | | DATE | DWN | APVD | |
| FT | 0 | H2 | REVISED PER ECO-11-004587 | | 11MAR11 | RK | HMR |



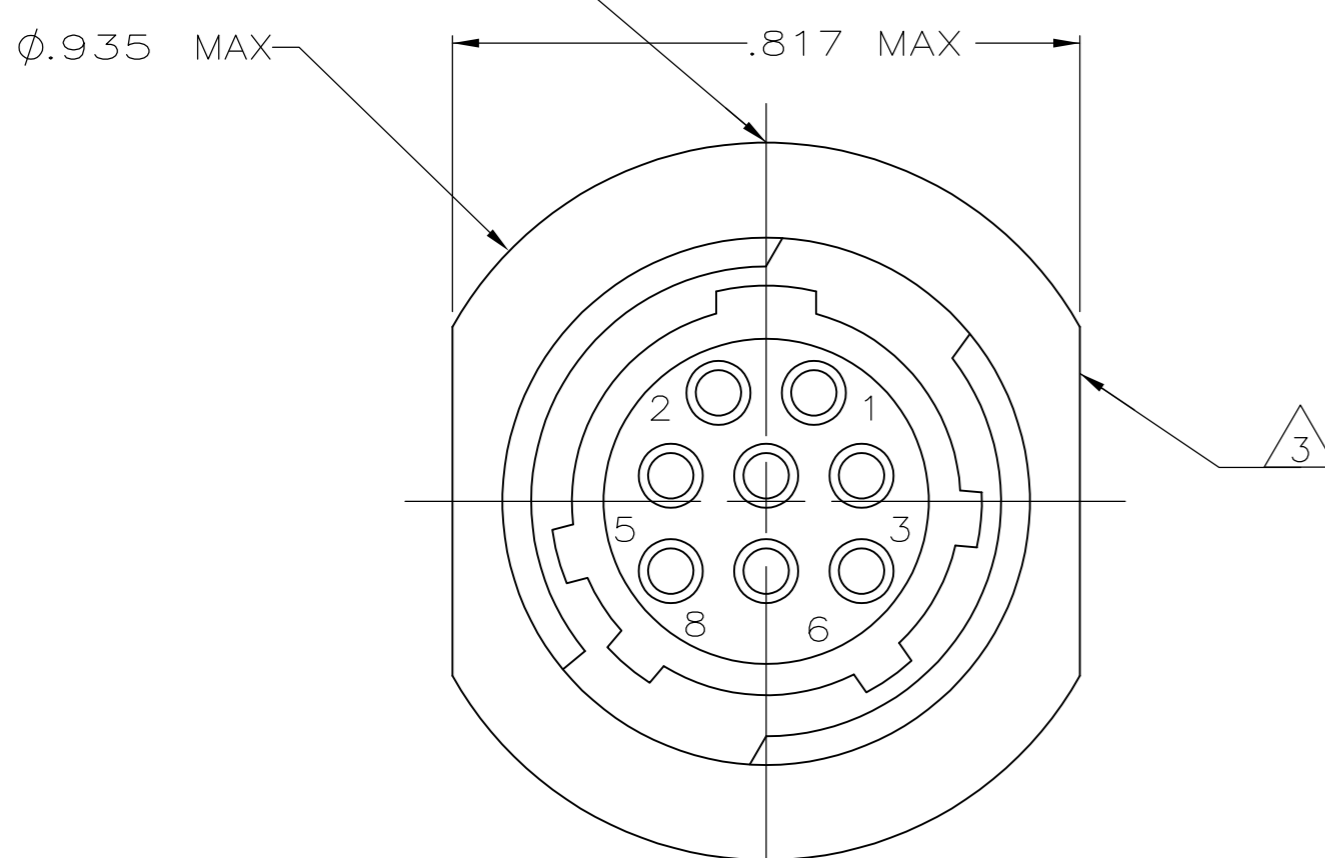
PERIPHERAL SEAL BONDED IN PLACE SEE TABLE

A HOLE 4 PLC

FLANGED



RECOMMENDED PANEL CUTOUT SCALE 2:1



FREE HANGING

| | | | | | |
|------------|-----------------|----------------------------|---------------------------------|--------------|-------------|
| STANDARD | YES | 4-40 BRASS THREADED INSERT | 20 | FLANGED | 206433-6 |
| SMALL PACK | NO | .125 DIA | 20 | FLANGED | 206433-5 |
| STANDARD | NO | .125 DIA | 20DF WITHOUT INSULATION SUPPORT | FLANGED | △5 206433-4 |
| STANDARD | NO | 4-40 BRASS THREADED INSERT | 20 | FLANGED | 206433-3 |
| STANDARD | NO | - | 20 | FREE HANGING | 206433-2 |
| STANDARD | NO | .125 DIA | 20 | FLANGED | 206433-1 |
| PACKAGING | PERIPHERAL SEAL | A | WILL ACCEPT SOCKET CONTACT SIZE | TYPE | PART NUMBER |

- 1 CONTACT CAVITIES IDENTIFIED BY CHARACTERS ON FRONT AND REAR FACE.
- △2 AMP MOLDED ON THIS SURFACE.
- △3 PART NUMBER AND DATE CODE MARKED ON THIS SURFACE.
- 4 206433-4 STRIPPED WIRE LENGTH SHOULD BE .193-.213 WITH .095 MAX INSULATION.
- △5 OBSOLETE PART NUMBER.

THIS DRAWING IS A CONTROLLED DOCUMENT.

| | | | |
|-----------------------------------------------------|--------------------------------------------------------------------------------------------|---------------------------|-------------------------------------------------------------------------------|
| DIMENSIONS: INCHES | TOLERANCES UNLESS OTHERWISE SPECIFIED: | DWN J.McCLINTON 1-25-88 | TE Connectivity RECEPTACLE ASSEMBLY, ARRANGEMENT 11-8 REVERSE SEX, CPC |
| | 0 PLC ± - 1 PLC ± - 2 PLC ± - 3 PLC ± .005 4 PLC ± - ANGLES ± - FINISH - | CHK R.STONE 1-26-88 | |
| | | APVD M.KAPEZYNSKI 1-27-88 | |
| | | PRODUCT SPEC | |
| MATERIAL NYLON, GLASS FILLED, FLAME RETARDED, BLACK | FINISH - | APPLICATION SPEC | NAME |
| CUSTOMER DRAWING | | WEIGHT - | SIZE A2 CAGE CODE 00779 C=206433 |
| SCALE 4:1 | | SHEET 1 of 1 | RESTRICTED TO - |