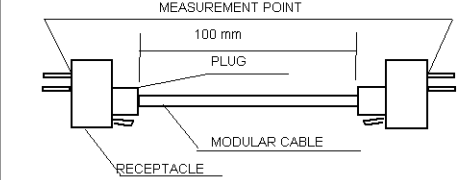



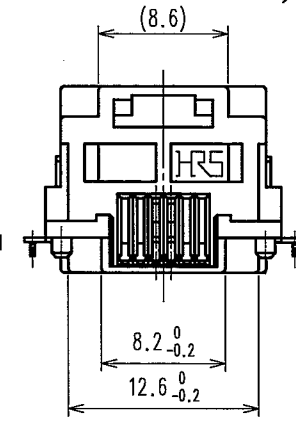
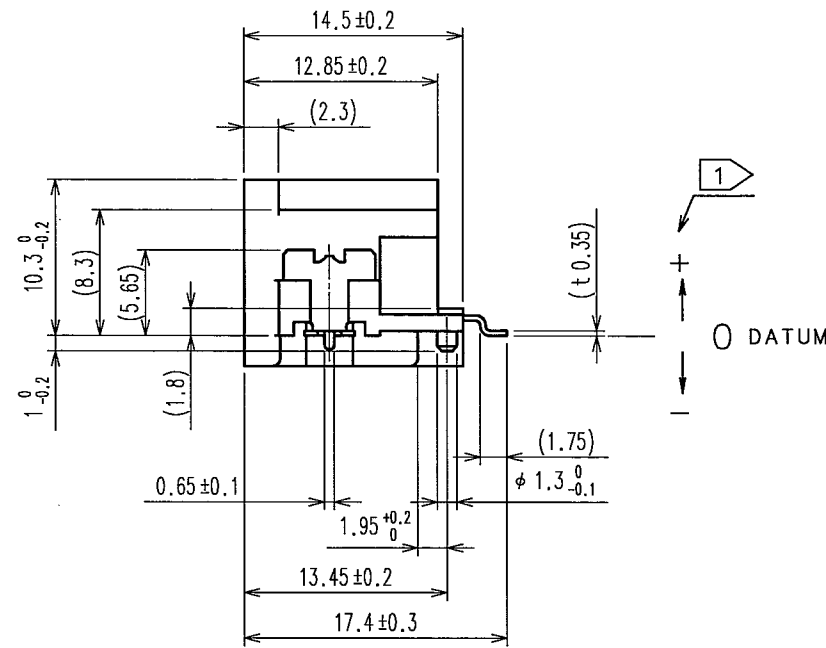
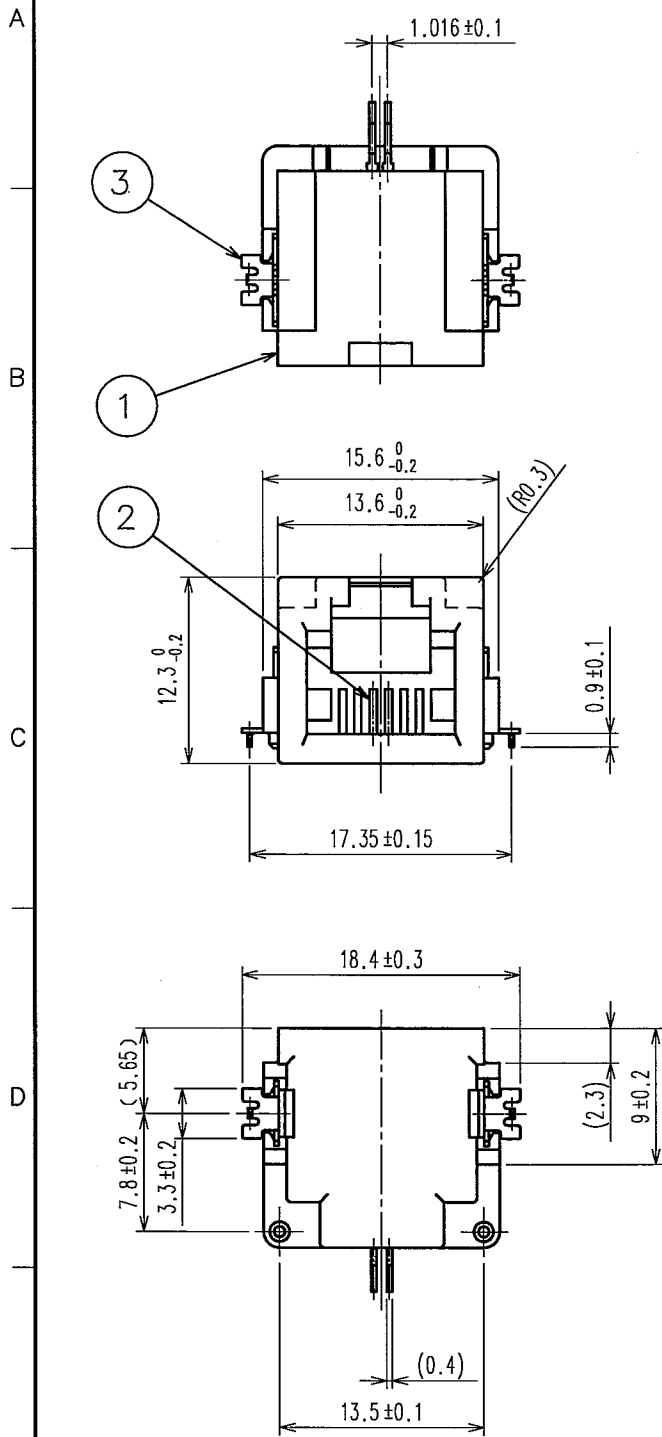


2011/11/04 00:57:47 CAROL, TRIBBLE

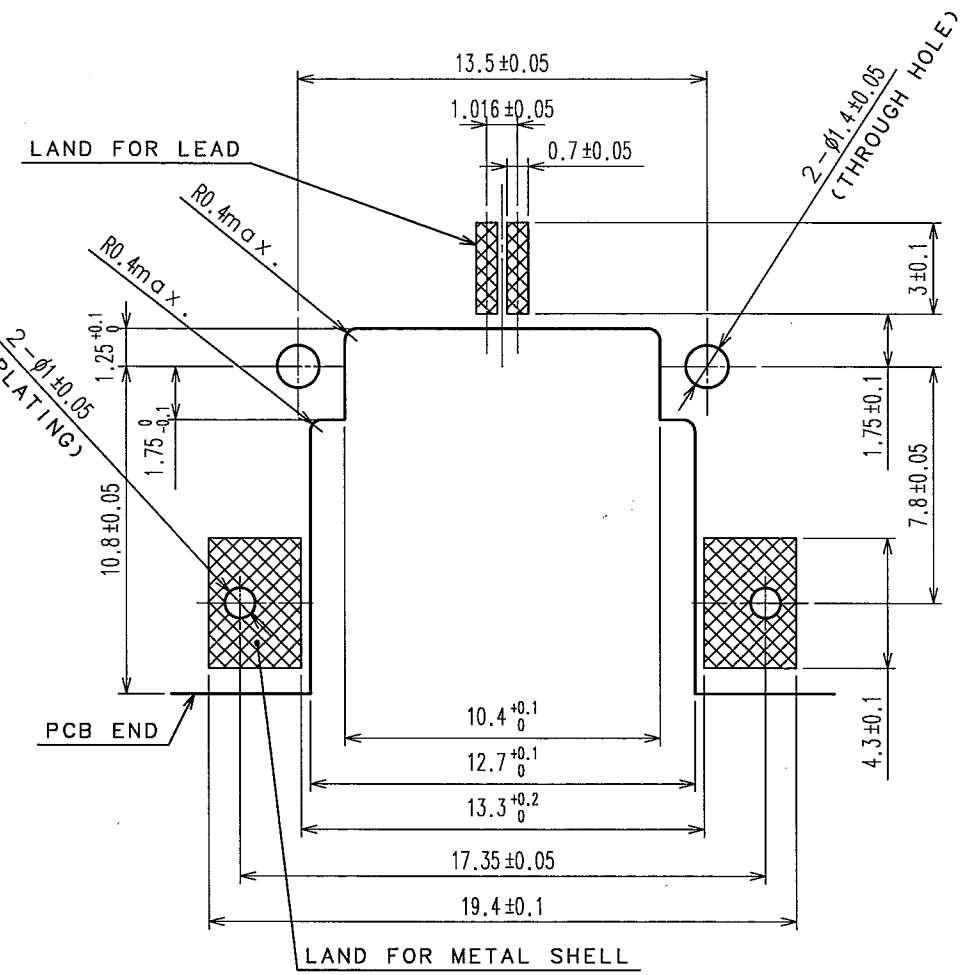
DRAWING FOR REFERENCE: This is subject to change without notice

APPLICABLE STANDARD				
RATING	OPERATING TEMPERATURE RANGE	-25°C TO +80°C	STORAGE TEMPERATURE RANGE	-25°C TO +80°C
	VOLTAGE	AC 125 V	CURRENT	0.5 A
SPECIFICATIONS				
ITEM	TEST METHOD	REQUIREMENTS	QT	AT
CONSTRUCTION				
GENERAL EXAMINATION	VISUALLY AND BY MEASURING INSTRUMENT.	ACCORDING TO DRAWING.	X	X
MARKING	CONFIRMED VISUALLY.		X	X
ELECTRIC CHARACTERISTICS				
CONTACT RESISTANCE	100 mA MAX (DC OR 1000 Hz).  (ONE EXAMPLE CONNECTOR CONFIGURATION IS SHOWN.)	200 mΩ MAX.	X	X
INSULATION RESISTANCE	100 V DC.	100 MΩ MIN.	X	X
VOLTAGE PROOF	500 V AC FOR 1 min.	NO FLASHOVER OR BREAKDOWN.	X	X
MECHANICAL CHARACTERISTICS				
MECHANICAL OPERATION	200 TIMES INSERTIONS AND EXTRACTIONS.	1) CONTACT RESISTANCE: 220 mΩ MAX. 2) NO DAMAGE, CRACK AND LOOSENESS OF PARTS.	X	-
VIBRATION	FREQUENCY 10 TO 55 Hz SINGLE AMPLITUDE 0.75 mm, - m/s ² AT 10 CYCLES FOR 3 DIRECTIONS.	1) NO ELECTRICAL DISCONTINUITY OF 5μs. 2) CONTACT RESISTANCE: 220 mΩ MAX. 3) NO DAMAGE, CRACK AND LOOSENESS OF PARTS.	X	-
SHOCK	490 m/s ² DIRECTIONS OF PULSE 11 ms AT 3 TIMES FOR 3 DIRECTIONS.		X	-
ENVIRONMENTAL CHARACTERISTICS				
DAMP HEAT, CYCLIC	EXPOSED AT +40°C, 90~95 %, 500 h	1) CONTACT RESISTANCE: 220 mΩ MAX. 2) INSULATION RESISTANCE: 1 MΩ MIN. (AT HIGH HUMIDITY) 10 MΩ MIN. (AT DRY) 3) NO DAMAGE, CRACK AND LOOSENESS OF PARTS.	X	-
RAPID CHANGE OF TEMPERATURE	TEMPERATURE -55±3→5~35→85±2→5~35 °C TIME 30~35→5MAX→30~35→5MAX min UNDER 5 CYCLES.	1) CONTACT RESISTANCE: 220 mΩ MAX. 2) INSULATION RESISTANCE: 100 MΩ MIN. 3) NO DAMAGE, CRACK AND LOOSENESS OF PART	X	-
CORROSION SALT MIST	EXPOSED IN 5 % SALT WATER SPRAY FOR 48 h.	1) CONTACT RESISTANCE: 220 mΩ MAX. 2) NO HEAVY CORROSION.	X	-
 DELETED				
COUNT	DESCRIPTION OF REVISIONS	DESIGNED	CHECKED	DATE
4	DIS-E-000366	SS.SATOH	YH.ENAMI	05.11.04
REMARK		APPROVED	HO.MIWA	05.11.01
		CHECKED	YH.ENAMI	05.10.31
		DESIGNED	SS.SATOH	05.10.31
		DRAWN	SS.SATOH	05.10.31
Unless otherwise specified, refer to JIS C 5402.		DRAWING NO.		ELC4-122137-01
	SPECIFICATION SHEET	PART NO.	TM18R-T0-62 (50)	
	HIROSE ELECTRIC CO., LTD.	CODE NO.	CL222-2882-6-50	 1/

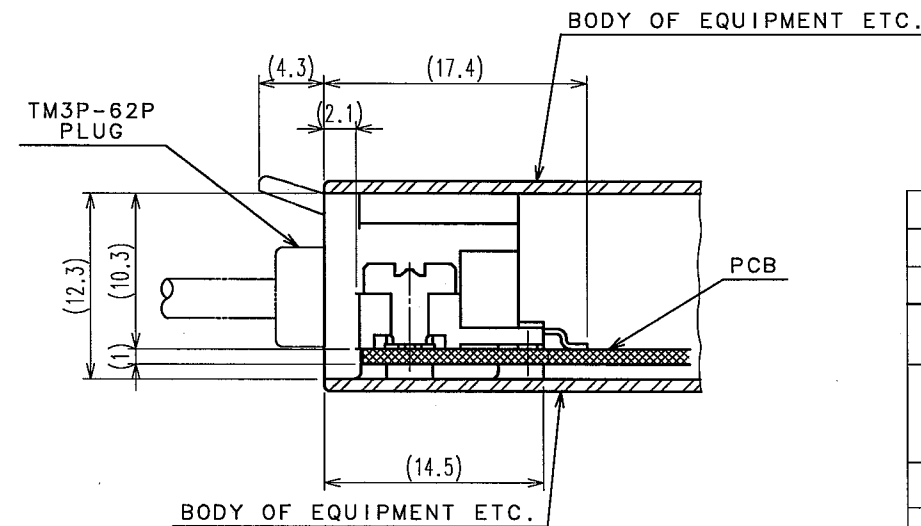
COUNT	DESCRIPTION OF REVISIONS	BY	CHKD	DATE	COUNT	DESCRIPTION OF REVISIONS	BY	CHKD	DATE
△					△				
△					△				
△					△				



RECOMMENDED PCB PATTERN, MOUNTING SIDE (4:1)
t=1



SET MOUNTED EXAMPLE



NOTE 1 THE CO-PLANARITY OF LEADS AND METAL SHELLS SHALL BE 0°±9°.

2	PHOSPHOR BRONZE	CONTACT AREA: GOLD PLATING 1.27µm SOLDERING AREA: GOLD FLASH PLATING			
1	PPS	BLACK UL94V-0	3	COPPER ALLOY	TIN PLATING
NO.	MATERIAL	FINISH, REMARKS	NO.	MATERIAL	FINISH, REMARKS
CODE NO. (OLD)	CL		DRAWN	DESIGNED	CHECKED
			S. Sato	S. Sato	Y. Enami
			05-10-31	05-10-31	05-10-31
					X. Miwa
					05-11-01
SCALE	DRAWING NO.		PART NO.		
2 : 1	EDC3-122137-01		TM18R-TO-62(50)		
UNITS	DRAWING NO.		CODE NO.		
mm	HRS HIROSE ELECTRIC CO., LTD.		CL222-2882-6-50		

TO
Q