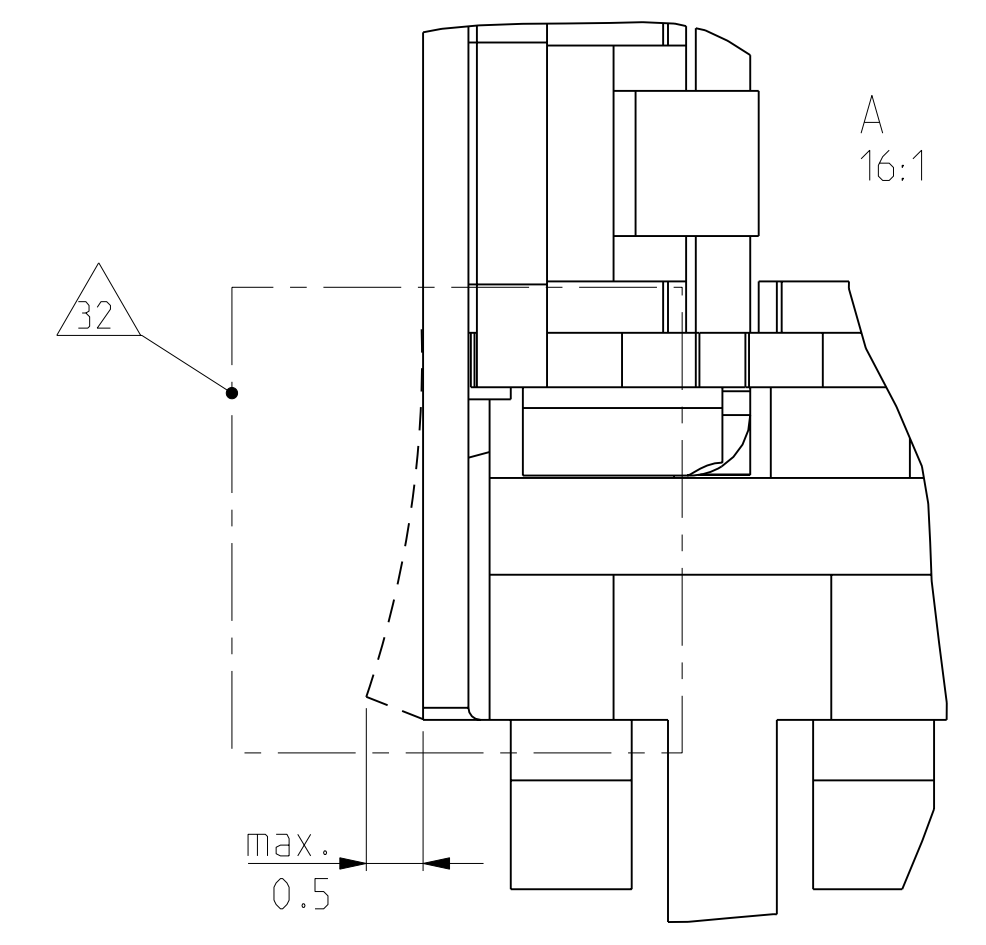
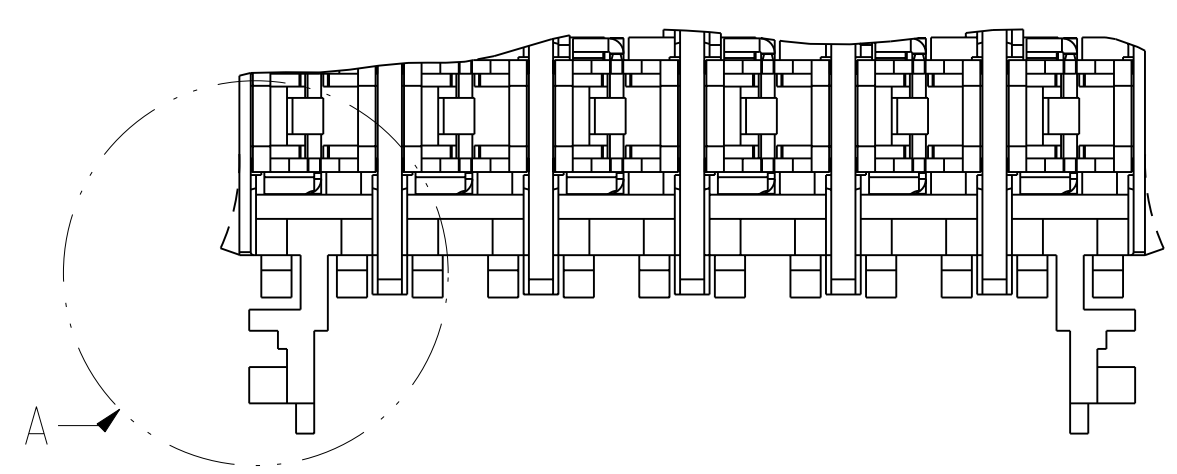
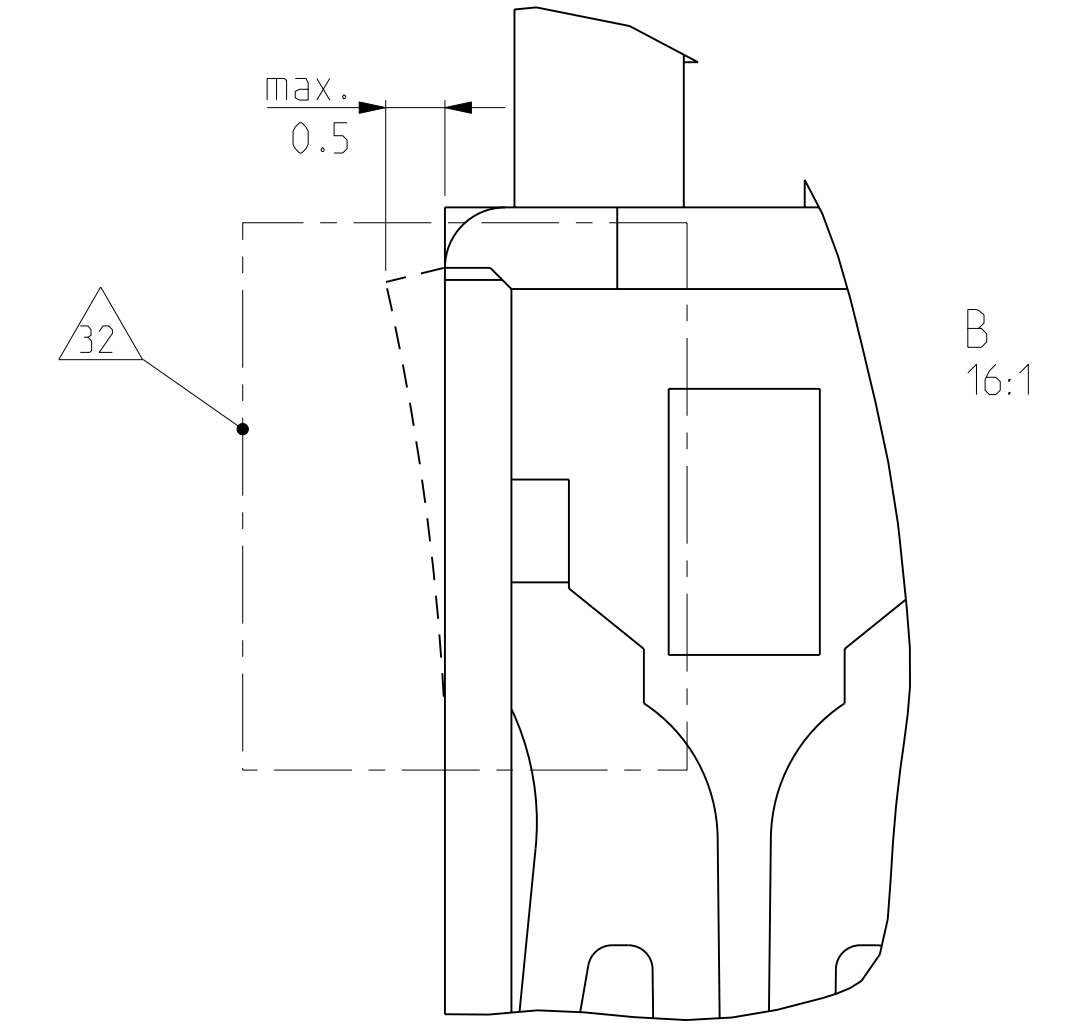
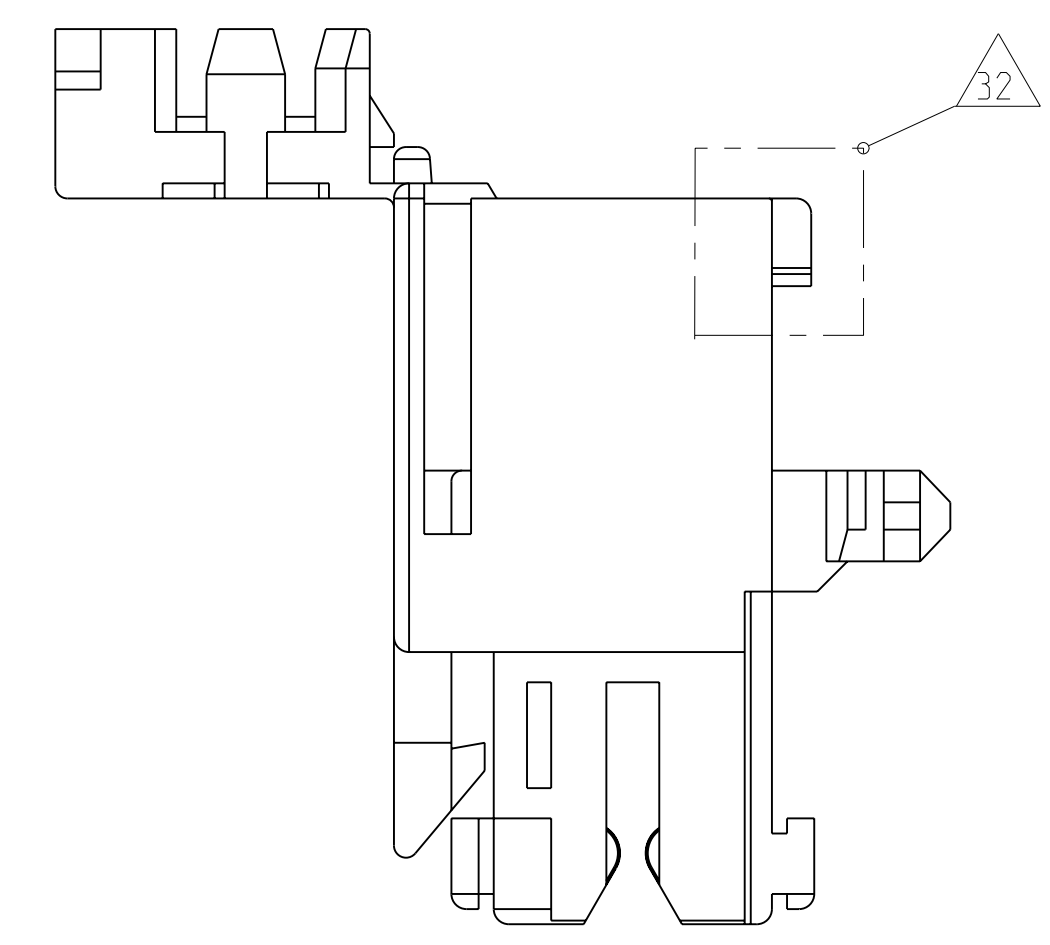
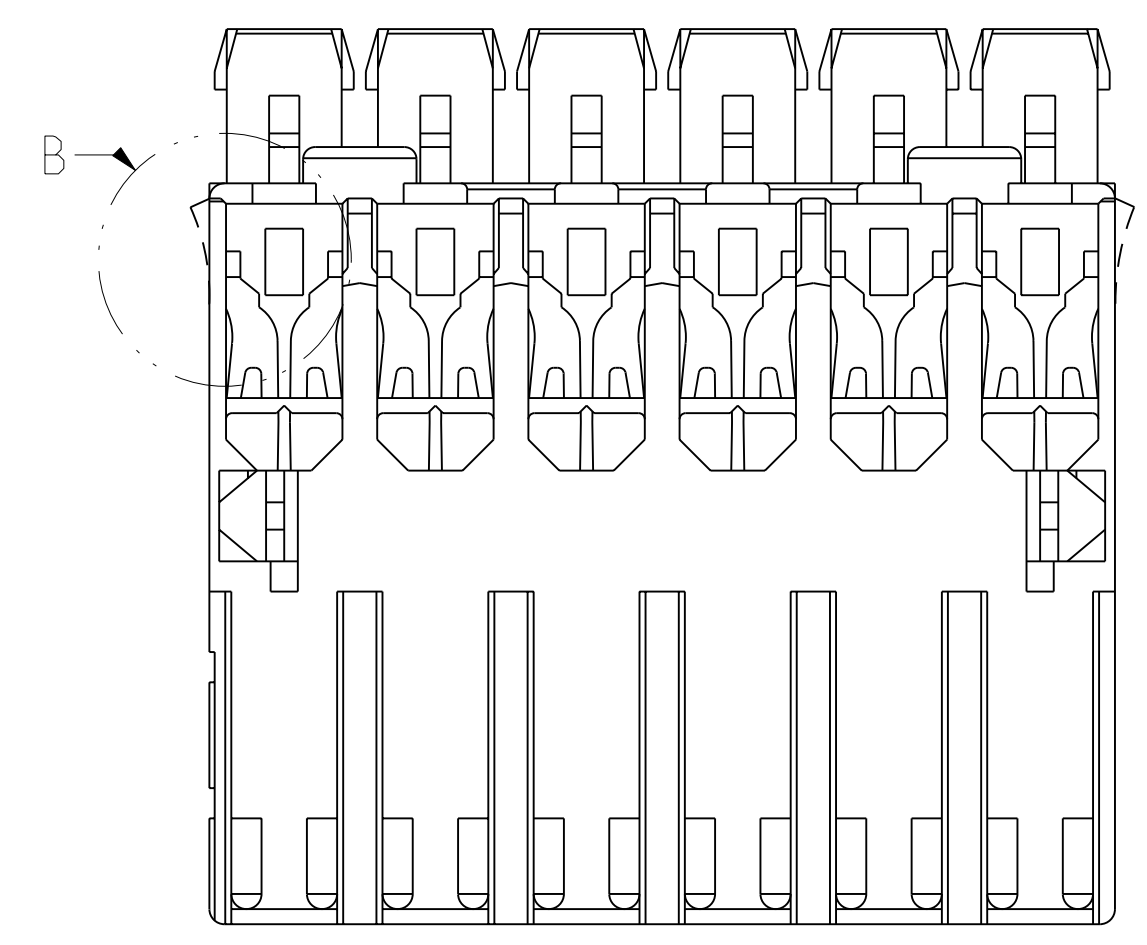
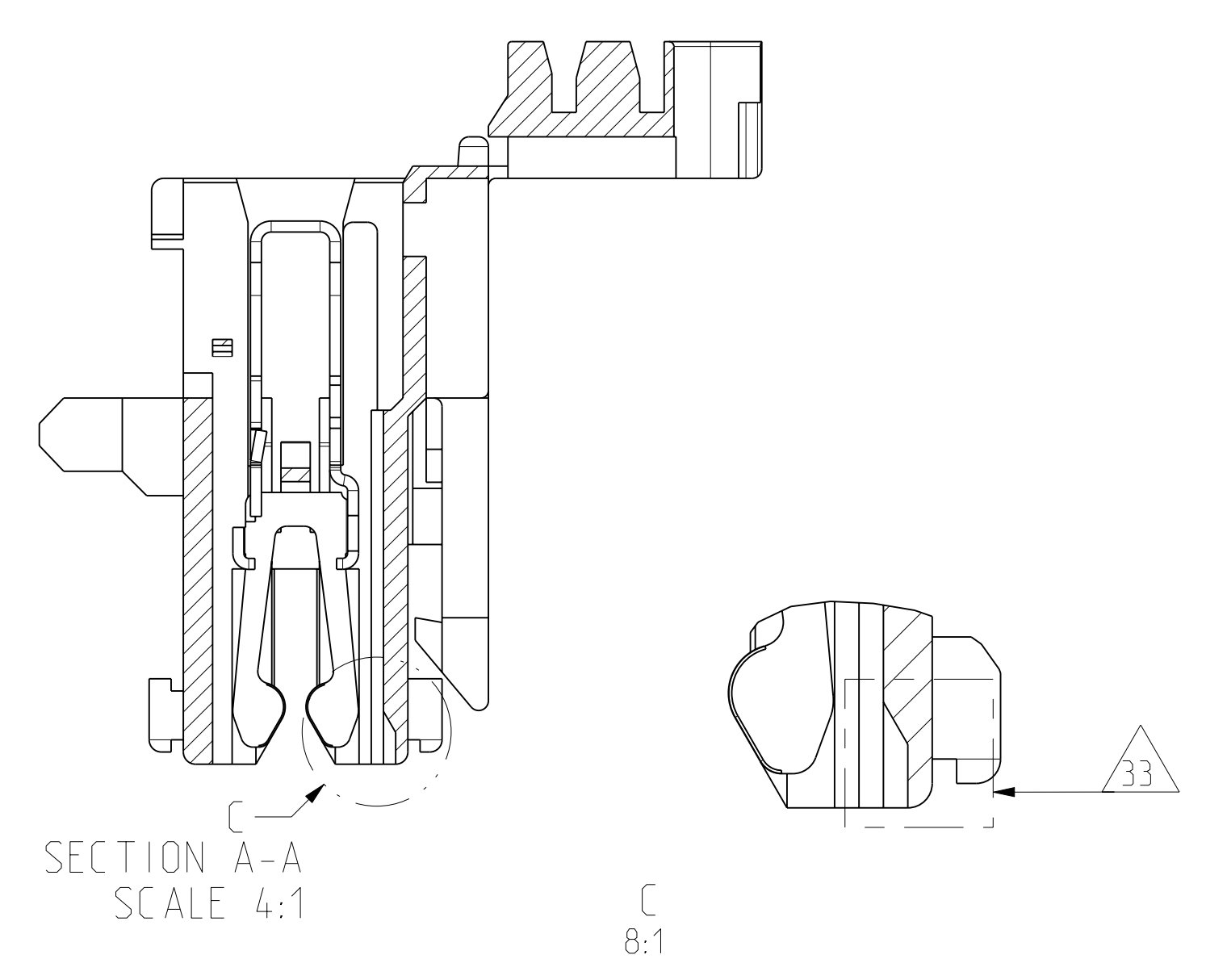


LOC	DIST	REV	DATE	BY	APPD
A1	-	1	-	-	-
		DESCRIPTION	DATE	BY	APPD
		SEE SHEET 1	-	-	-



ALTERNATE GEOMETRY IN HOUSING CAVITY 33



NOTE & TABLES. SEE SHEET 1
 Notizen & Tabellen. siehe Blatt 1

THIS DRAWING IS A CONTROLLED DOCUMENT.		DWN M. Ofenloch	29NOV01	TE Connectivity												
DIMENSIONS: mm		CHK G. Bartosch	29NOV01													
TOLERANCES UNLESS OTHERWISE SPECIFIED:		APVD Th. Klenner	29NOV01	NAME 2-8pos. AMP multifitting Mark II ASSEMBLY PITCH 5mm EDGE VERSION												
<table border="1"> <tr> <td>9 PLC</td> <td>±0.2</td> </tr> <tr> <td>1 PLC</td> <td>±</td> </tr> <tr> <td>2 PLC</td> <td>±</td> </tr> <tr> <td>3 PLC</td> <td>±</td> </tr> <tr> <td>4 PLC</td> <td>±</td> </tr> <tr> <td>ANGLES</td> <td>±2°</td> </tr> </table>		9 PLC	±0.2	1 PLC	±	2 PLC	±	3 PLC	±	4 PLC	±	ANGLES	±2°	PRODUCT SPEC 108-18653	APPLICATION SPEC 108-18289	SIZE A1
9 PLC	±0.2															
1 PLC	±															
2 PLC	±															
3 PLC	±															
4 PLC	±															
ANGLES	±2°															
MATERIAL -		FINISH -	WEIGHT -	CAGE CODE 1534075												
CUSTOMER DRAWING		SCALE 5:1		SHEET 2 OF 2												