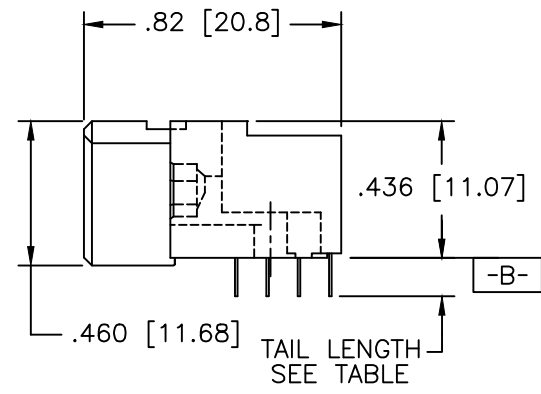
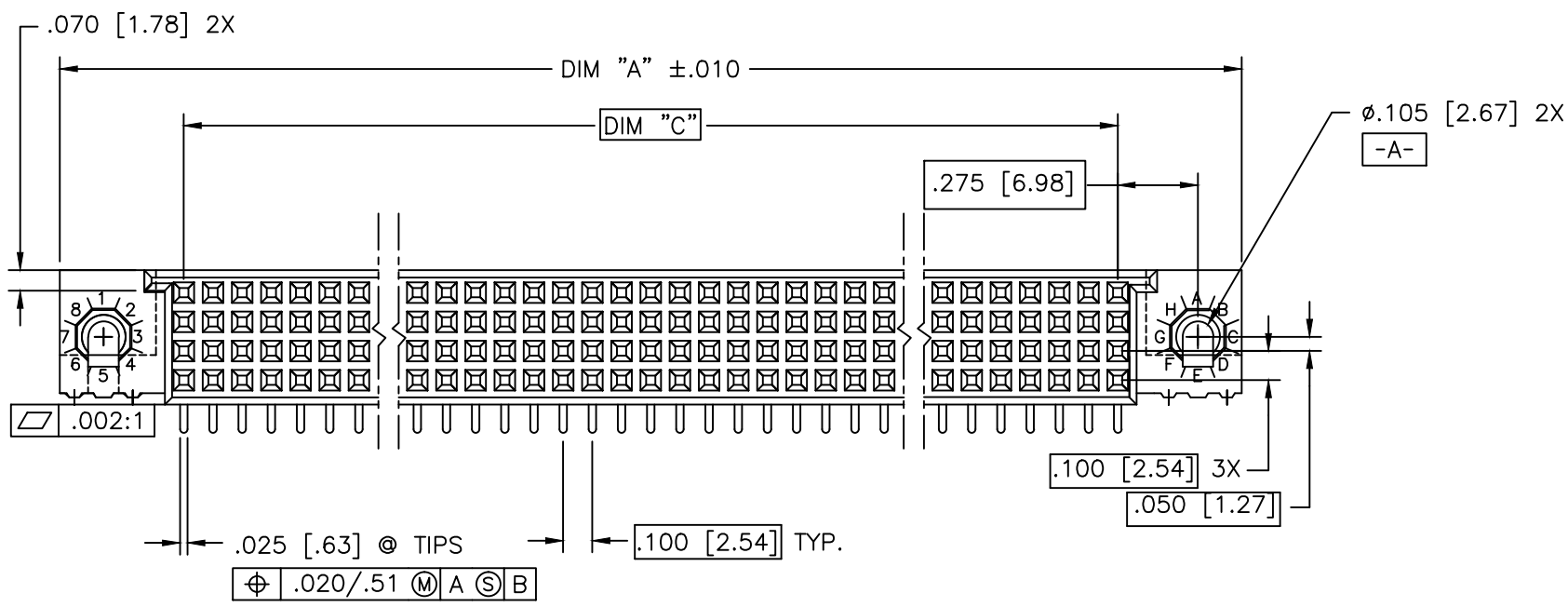
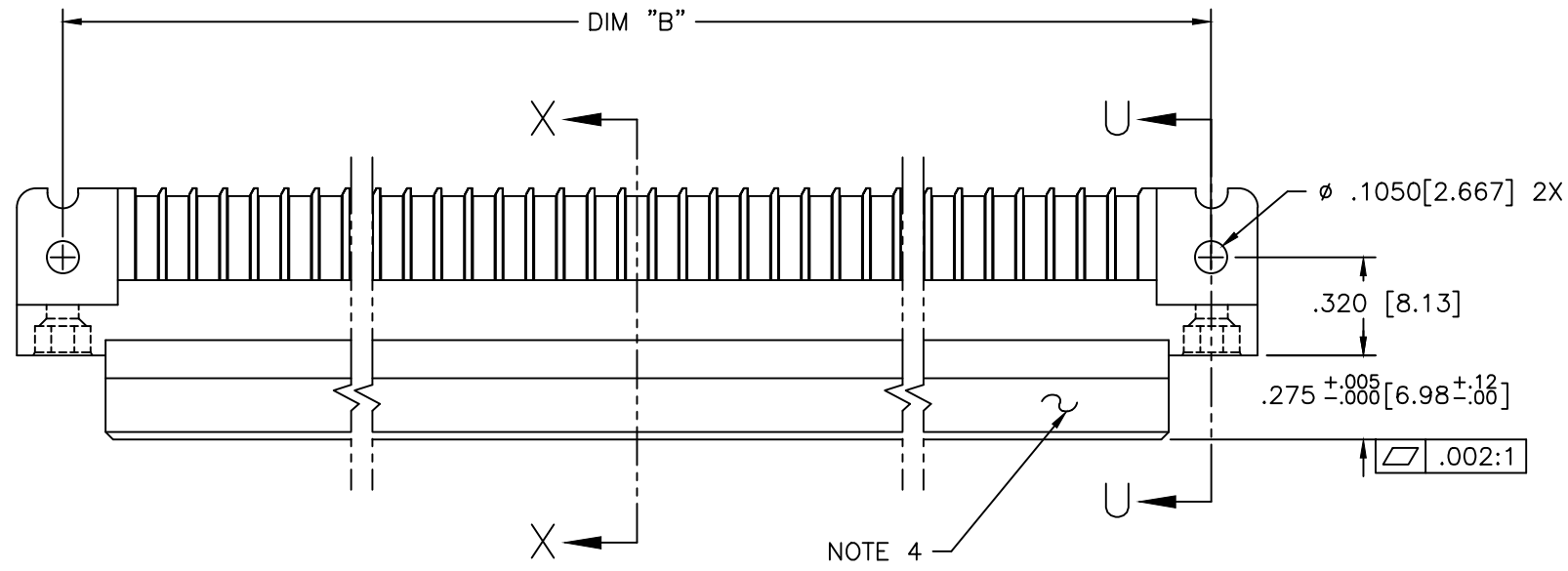


PRODUCT NUMBER
SEE TABLE



mat'l. code		surface		tolerance		projection		product family	
NOTE 3		ISO 1302		ISO 406 ISO 1101				HPC	
ltr	ecn no	dr	date	tolerances unless otherwise specified		INCH/MM		title	
Y	112-0005	SAL	2012-01-09	angles	linear			4 ROW R/A RECEPTACLE	
-	-	-	-					GENERIC, MOUNT, S.T.B. 0 G.P.	
T	V05-1041	HTB	11/14/05	0°±2'		scale 1:1		dwg no	
U	M06-0255	MHT	7/06/06	dr	D.SHEAFFER	1992-08-27		sheet 1 of 4 size	
V	M06-0476	MHT	12/05/06	enr	S.CLARK	1992-09-30		50576 A3	
W	M07-0237	AGS	7/17/07	chr	M. JACOB	2012-01-09		type	
X	M08-0308	MHT	10/23/08	appd	BIJU K PAUL	2012-01-09		Product Customer Drawing	
sheet	revision	Y	Y	Y	Y				
index	sheet	1	2	3	4				

FCJ
 FClconnect.com
 Copyright FCJ

PRODUCT NUMBER	NUMBER OF POSITIONS, NOTE 2	TAIL LENGTH	SOLDER TAIL PLATING	CONTACT AREA PLATING (NOTE 8)
50576-1YYYY	YYY	.125±.010/3.18±.25	TIN-LEAD	30u"/.76u GOLD
50576-1YYYYLF	YYY	.125±.010/3.18±.25	TIN	30u"/.76u GXT
50576-1YYYYF	YYY	.145±.010/3.68±.25	TIN-LEAD	30u"/.76u GOLD
50576-1YYYYH	YYY	.180±.010/4.57±.25	TIN-LEAD	30u"/.76u GOLD
50576-3YYYY	YYY	.125±.010/3.18±.25	TIN-LEAD	50u"/1.27u GOLD
50576-3YYYYF	YYY	.145±.010/3.68±.25	TIN-LEAD	50u"/1.27u GOLD
50576-3YYYYH	YYY	.180±.010/4.57±.25	TIN-LEAD	50u"/1.27u GOLD
50576-5YYYY	YYY	.125±.010/3.18±.25	TIN-LEAD	30u"/.76u GXT
50576-5YYYYLF	YYY	.125±.010/3.18±.25	TIN	30u"/.76u GXT
50576-5YYYYF	YYY	.145±.010/3.68±.25	TIN-LEAD	30u"/.76u GXT
50576-5YYYYFLF	YYY	.145±.010/3.68±.25	TIN	30u"/.76u GXT
50576-5YYYYH	YYY	.180±.010/4.57±.25	TIN-LEAD	30u"/.76u GXT
50576-5YYYYHLF	YYY	.180±.010/4.57±.25	TIN	30u"/.76u GXT
50576-XX004	100	.125±.010/3.18±.25	TIN-LEAD	30u"/.76u GXT
50576-XX004LF	100	.125±.010/3.18±.25	TIN	30u"/.76u GXT
50576-XX008	80	.125±.010/3.18±.25	TIN-LEAD	30u"/.76u GOLD
50576-XX008LF	80	.125±.010/3.18±.25	TIN	30u"/.76u GXT

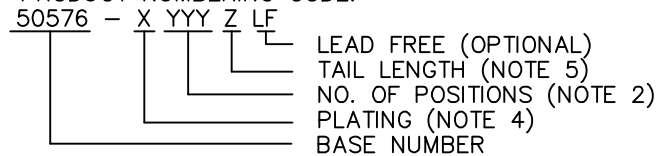
NOTE 7 (CUSTOMER SPECIAL)

SEE SHEET 3

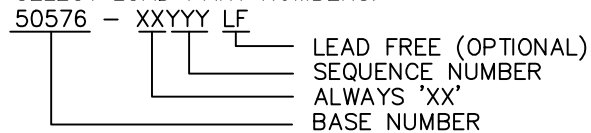
SEE SHEET 4

NOTES:

① PRODUCT NUMBERING CODE:



PRODUCT NUMBERING CODE FOR SELECT LOAD PART NUMBERS:



② THIS PRODUCT IS CONFIGURED IN SIZES OF 6 THRU 80 COLUMNS IN INCREMENTS OF ONE. i.e.: 6,7,8,9.....79,80.

③ HOUSING MATERIAL: GLASS AND MINERAL FILLED HIGH TEMP. THERMOPLASTIC. FLAME RETARDANT PER UL94V-0. COLOR: BLACK. CONTACT MATERIAL: BeCu

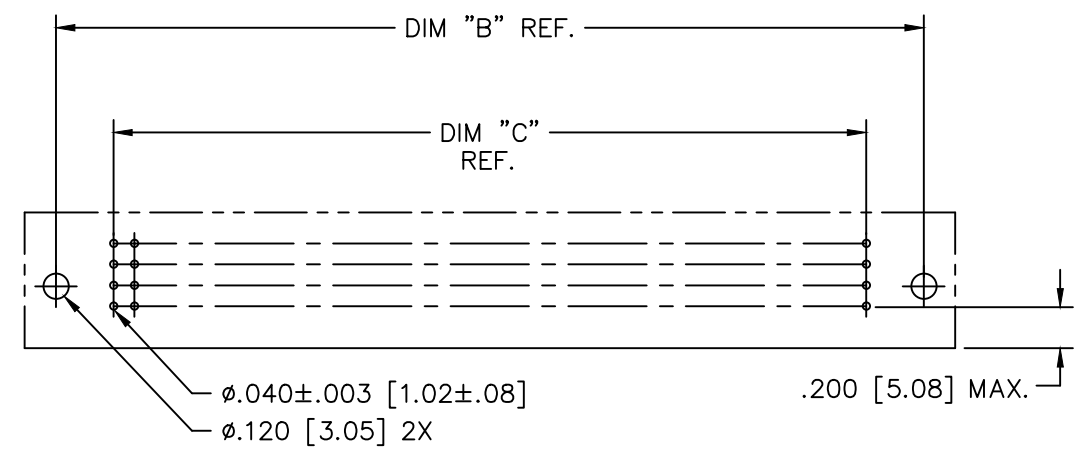
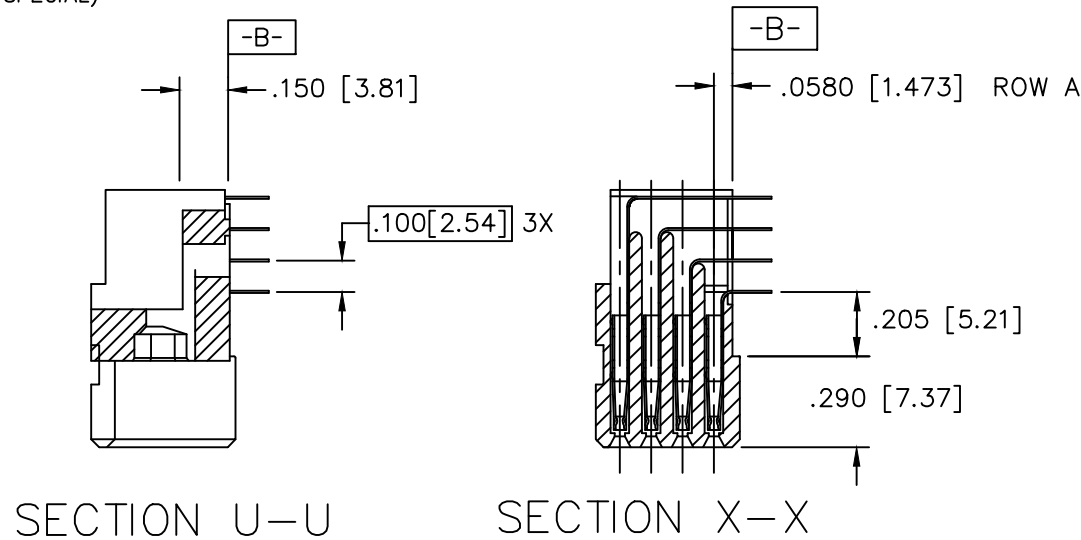
④ MANUFACTURE'S NAME, PART NUMBER AND LOT CODE TO APPEAR ON THIS SURFACE PER BUS-12-108.

5. DIMENSION "A" CALCULATION = .100(2.54) x NO. OF COLUMNS + .75(19.1)
 DIMENSION "B" CALCULATION = .100(2.54) x NO. OF COLUMNS + .450(11.43)
 DIMENSION "C" CALCULATION = .100(2.54) x NO. OF COLUMNS - .100(2.54)

6. THIS PRODUCT (WITH 'LF' SUFFIX) MEETS EUROPEAN UNION DIRECTIVES AND OTHER COUNTRY REGULATIONS AS DESCRIBED IN GS-22-008. THIS HOUSING WILL WITHSTAND EXPOSURE TO 260°C PEAK TEMPERATURE FOR 10-30 SECONDS IN A CONVECTION, INFRA-RED OR VAPOR PHASE REFLOW OVEN.

⑦ FOR P/N 50576-3YYYY (CUSTOMER ALCATEL) USE CONTACT PLATING 30μ"/0.76μ GXT

⑧ PLATING OPTIONS: MAYBE EITHER GOLD OR GXT PLATED AT MANUFACTURER CHOICE



RECOMMENDED PCB LAYOUT
(ALL HOLES LOCATED ON .100 [2.54] GRID UNLESS OTHERWISE SPECIFIED)

mat'l. code		surface		tolerance		projection		product family	
NOTE 3		ISO 1302		ISO 406		INCH/MM		HPC	
ltr	ecn no	dr	date	tolerances unless otherwise specified		scale 1:1		title	
Y				angles	linear			4 ROW R/A RECEPTACLE	
				0°±2'	.XX±.01/.X±0.3			GENERIC, MOUNT, S.T.B. 0 G.P.	
					.XXX±.005/.XX±0.13			dwg no	
					.XXXX±.0020/.XXX±0.051			sheet 2 of 4 size	
		dr	D.SHEAFFER	1992-08-27				50576 A3	
		enr	S.CLARK	1992-09-30				type	
		chr	M. JACOB	2012-01-09				Product Customer Drawing	
		appd	BIJU K PAUL	2012-01-09					
sheet	revision								
index	sheet								



Copyright FCJ

SIGNAL DATA	
SIZE 4 x 25	
NO. OF POSITIONS LOADED - 088	
ITEM KEY	QTY.
A	22
B	22
C	22
D	22
BLANK	12

50576-XX004 AND -XX004LF SPECIAL LOAD PATTERN IS SHOWN ON THIS SHEET

	25		20		15		10		5		1		D	
	D	D	D	D	D	D	D	D	D	D	D	D	D	D
	C	C	C	C	C	C	C	C	C	C	C	C	C	C
	B	B	B	B	B	B	B	B	B	B	B	B	B	B
	A	A	A	A	A	A	A	A	A	A	A	A	A	A

D
C
B
A

TERM.
1

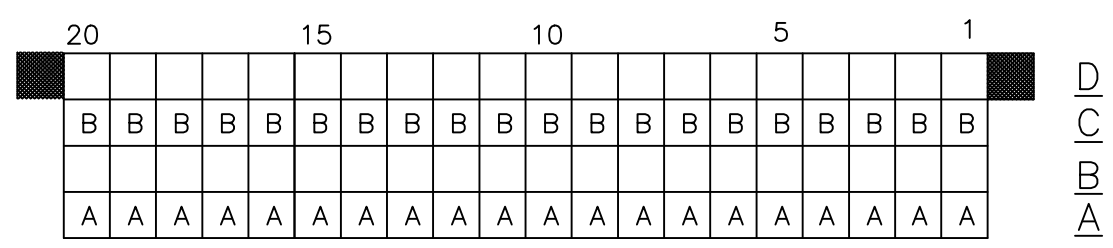


- ALL POSITIONS ARE LOADED, EXCEPT WHERE NOTED
- COLUMN 1, ROW A IS DESIGNATED AS SIGNAL TERM. 1, AS VIEWED FROM THE MATING FACE.

mat'l. code NOTE 3		surface ISO 1302		tolerance ISO 406 ISO 1101		projection 		product family HPC	
ltr	ecn no	dr	date	tolerances unless otherwise specified		INCH/MM		title 4 ROW R/A RECEPTACLE GENERIC, MOUNT, S.T.B. 0 G.P.	
Y				angles	linear	scale 1:1		dwg no 50576	
				0°±2'				sheet 3 of 4 size A3	
		dr	D.SHEAFFER	1992-08-27			type Product Customer Drawing		
		enr	S.CLARK	1992-09-30					
		chr	M. JACOB	2012-01-09					
		appd	BIJU K PAUL	2012-01-09					
sheet index	revision sheet								

PRODUCT NUMBER	ITEM KEY	SIGNAL DATA			
		SIZE 4 x 20	TOTAL NO. OF POSITIONS -80	NO. OF POSITIONS LOADED - 40	
		PLATING (NOTE 8)	QTY.	R/A RECEPTACLE STYLE	
				MATING LENGTH	TAIL LENGTH
50576-XX008	A	30u"/.76u Au	20	N/A	.125 [3.18]
	B	30u"/.76u Au	20	N/A	.125 [3.18]
	BLANK	OMIT	40	N/A	N/A
50576-XX008LF	A	30u"/.76u GXT	20	N/A	.125 [3.18]
	B	30u"/.76u GXT	20	N/A	.125 [3.18]
	BLANK	OMIT	40	N/A	N/A

50576-XX008 AND -XX008LF SHOWN ON THIS SHEET



TERM.
1

- ALL POSITIONS ARE LOADED, EXCEPT OMITTS, AS SHOWN.
- COLUMN 1, ROW A IS DESIGNATED AS SIGNAL TERM. 1, AS VIEWED FROM THE MATING FACE.
- FOR ADDED DIMENSIONAL INFORMATION REFER TO DOCUMENT NUMBER "50576".

mat'l. code		surface		tolerance		projection		product family	
NOTE 3		ISO 1302		ISO 406 ISO 1101				HPC	
ltr	ecn no	dr	date	tolerances unless otherwise specified		INCH/MM		title	
Y				angles	linear			4 ROW R/A RECEPTACLE GENERIC, MOUNT, S.T.B. 0 G.P.	
				0°±2°		scale 1:1		dwg no	
				dr	D.SHEAFFER	1992-08-27			sheet 4 of 4 size
				enr	S.CLARK	1992-09-30	50576		A3
				chr	M. JACOB	2012-01-09	type		Product Customer Drawing
				appd	BIJU K PAUL	2012-01-09			
sheet index	revision sheet								



Copyright FCJ