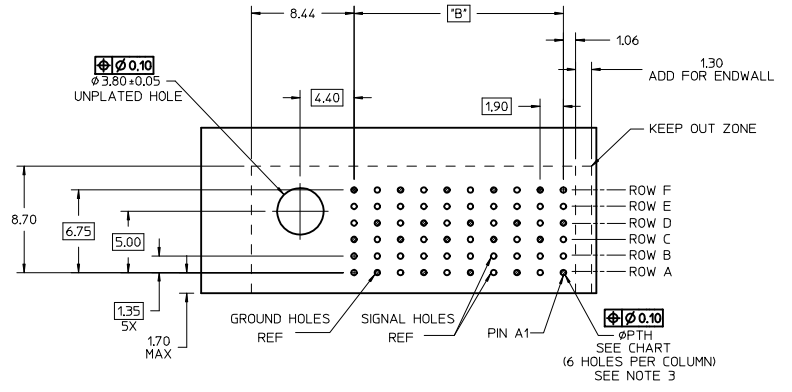
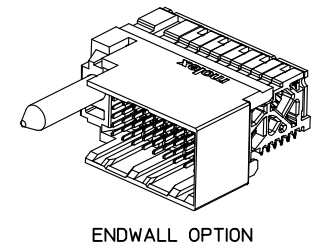
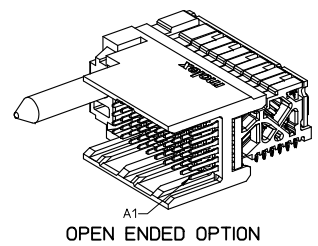
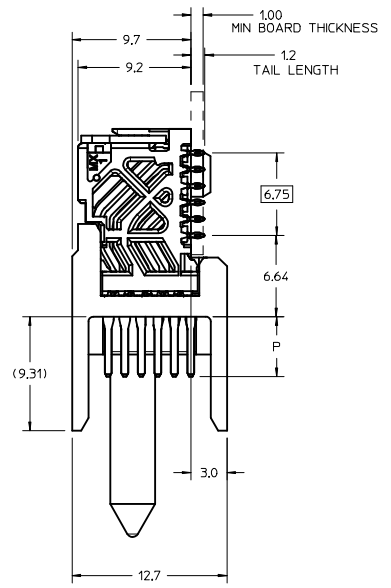
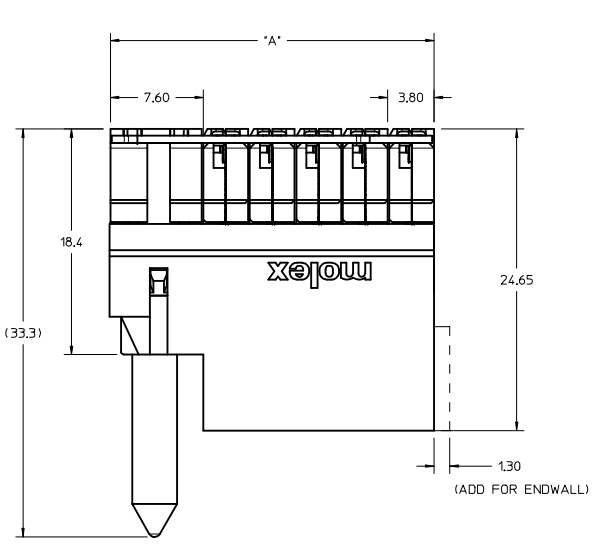


MATERIAL NUMBER	# OF COLUMNS	# OF DIFF PAIR	DIM 'A' MAX	DIM 'B'
76450- $\times 10$ *	10	20	26.60	17.10
76450- $\times 60$ *	16	32	38.00	28.50

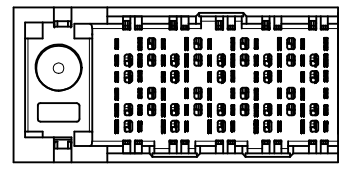
76450- $\times \times 0$ *

- MODULE TYPE
- 3 = LEFT GUIDED LEAD-FREE
 - 7 = LEFT GUIDED LEAD-FREE W/ ENDWALL
- PIN LENGTH (P)
- 4 = 4.90 (0.46 PTH)
 - 5 = 5.50 (0.46 PTH)
 - 7 = 4.90 (0.39 PTH)
 - 8 = 5.50 (0.39 PTH)
- # OF COLUMNS
- 1 = 10 COL
 - 6 = 16 COL

- NOTES:
1. MATERIALS: HOUSING - LIQUID CRYSTAL POLYMER (LCP), GLASS-FILLED, UL94V-0
TERMINALS - HIGH PERFORMANCE COPPER ALLOY
 2. FINISH: 30 μ m SELECTIVE GOLD IN CONTACT AREA, SELECTIVE TIN ON PCB TAILS, NICKEL OVERALL.
 3. FOR FURTHER INFORMATION SEE PRODUCT SPECIFICATION PS-76060-999.
 4. EACH SIGNAL WAFER CONTAINS 2 COLUMNS OF TERMINALS.
 5. PRODUCT TO BE PACKAGED PER PACKAGING SPECIFICATION PK-70873-077.
 6. THIS PART CONFORMS TO CLASS B REQUIREMENTS OF COSMETIC SPEC PS-45499-002.
 7. REFER TO MOLEX SALES DRAWING SD-76460-004 FOR MATING DAUGHTERCARDS.
 8. REFER TO MOLEX PCB ROUTING GUIDE AS-76060-990 FOR ANTIPAD AND ROUTING RECOMMENDATIONS.
 9. WHEN USING MOLEX SUPPLIED #2-32 SCREW 73726-0005 (7.62 \pm 0.38/-0.76 mm THREADABLE SCREW LENGTH), THE BOARD THICKNESS RANGE IS 1.60 TO 3.85 mm.



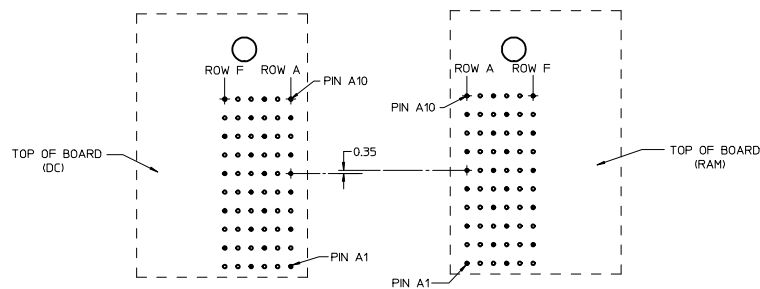
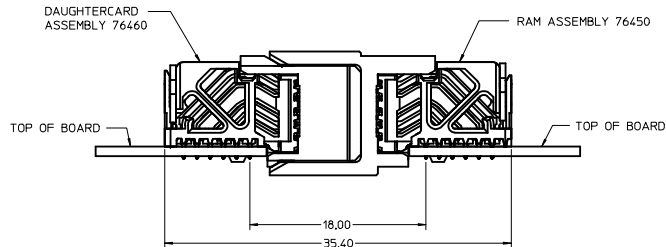
RAM HOLE PATTERN
(CONNECTOR SIDE)



UPD DRAWING/PCB LAYOUT EEC NO: UCP2014-4-388 DRAWN: GONZALEZ01_2014/05/07 CHKD: B5 APPR: F10	QUALITY SYMBOLS	GENERAL TOLERANCES (UNLESS SPECIFIED)	DIMENSION STYLE	SCALE	DESIGN UNITS	THIRD ANGLE PROJECTION
	$\nabla=0$	4 PLACES \pm mm	MM ONLY	5:1	METRIC	
	$\nabla=0$	3 PLACES \pm INCH				
	$\nabla=0$	2 PLACES \pm 0.13				
	$\nabla=0$	1 PLACE \pm 0.25				
	0 PLACE \pm ---					
	ANGULAR $\pm 1/2^\circ$					
	DRAFT WHERE APPLICABLE MUST REMAIN WITHIN DIMENSIONS					
		DRAWN BY	DATE	TITLE		
		JJONIAK	2009/07/06	IMPACT 100 OHM		
		CHECKED BY	DATE	2 PAIR RAM LEFT GUIDED		
		JLAURX	2009/07/06	SALES DRAWING		
		APPROVED BY	DATE	molex		
		JLAURX	2010/02/09	SD-76450-002		
		MATERIAL NO.	DOCUMENT NO.	SHEET NO.		
		SEE TABLE	SD-76450-002	1 OF 2		
		THIS DRAWING CONTAINS INFORMATION THAT IS PROPRIETARY TO MOLEX INCORPORATED AND SHOULD NOT BE USED WITHOUT WRITTEN PERMISSION				

20 19 18 17 16 15 14 13 12 11 10 9 8 7 6 5 4 3 2 1

COPLANAR APPLICATION



COPLANAR MATED SIGNAL PATHS



SEE SHEET 1 SEC NO: UCP2014-4388 DRAWN: GONZALEZ01, 2014/05/07 CHKD: APPR: IELO 2015/04/24	QUALITY SYMBOLS	GENERAL TOLERANCES (UNLESS SPECIFIED)	DIMENSION STYLE	SCALE	DESIGN UNITS	THIRD ANGLE PROJECTION
	▽=0	4 PLACES ± ---	MM ONLY	5:1	METRIC	
	▽=0	3 PLACES ± 0.13				
	▽=0	2 PLACES ± 0.25				
		ANGULAR ± 1/2°				
		DRAFT WHERE APPLICABLE MUST REMAIN WITHIN DIMENSIONS				
			DRAWN BY JJONIAK	DATE 2009/07/06	TITLE IMPACT 100 OHM 2 PAIR RAM LEFT GUIDED SALES DRAWING	
			CHECKED BY JLAURX	DATE 2009/07/06		
			APPROVED BY JLAURX	DATE 2010/02/09		
			MATERIAL NO.	DOCUMENT NO.	SHEET NO.	
			SEE TABLE	SD-76450-002	2 OF 2	
			THIS DRAWING CONTAINS INFORMATION THAT IS PROPRIETARY TO MOLEX INCORPORATED AND SHOULD NOT BE USED WITHOUT WRITTEN PERMISSION			

19 18 17 16 15 14 13 12 11 10 9 8 7 6 5 4 3 2 1