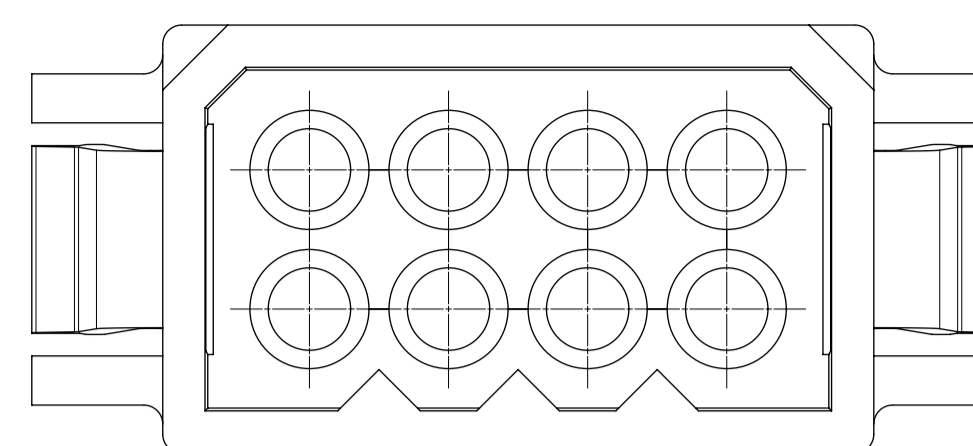
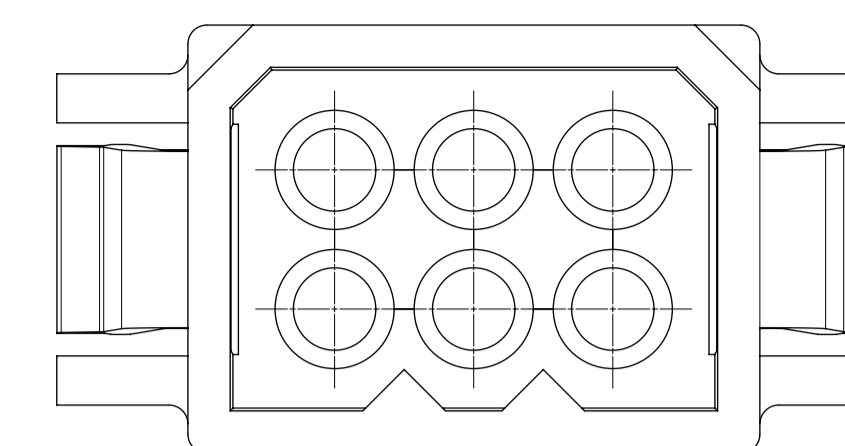


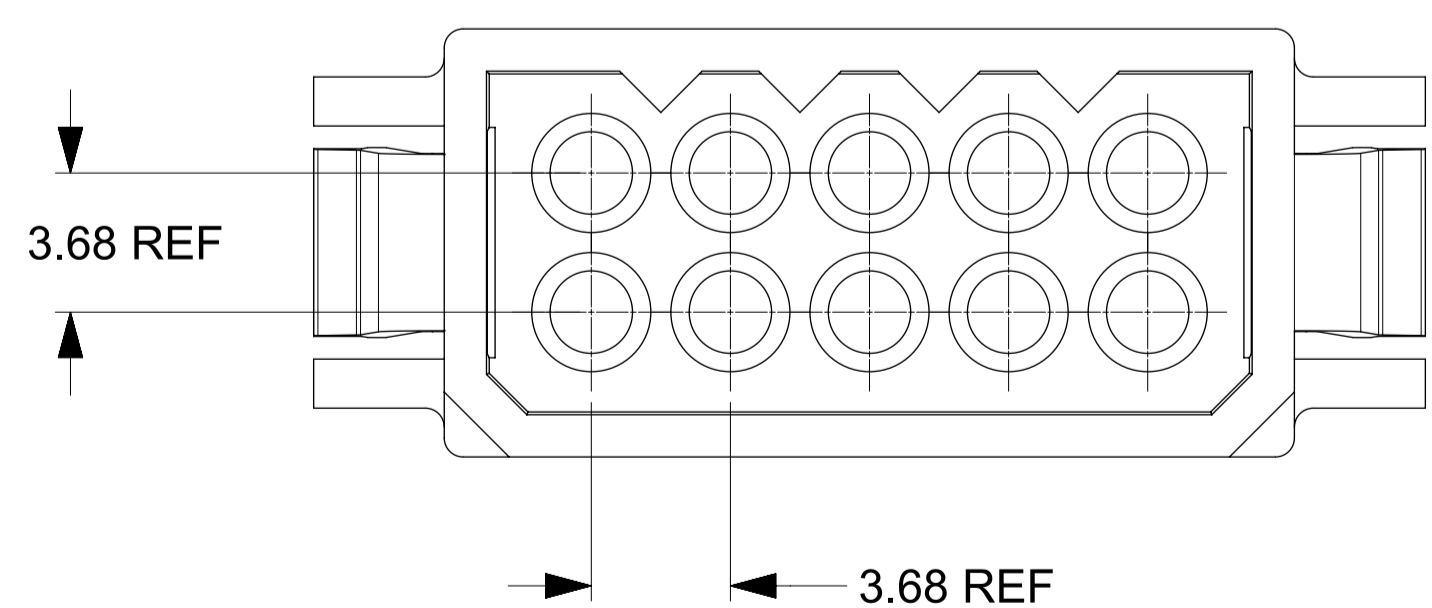
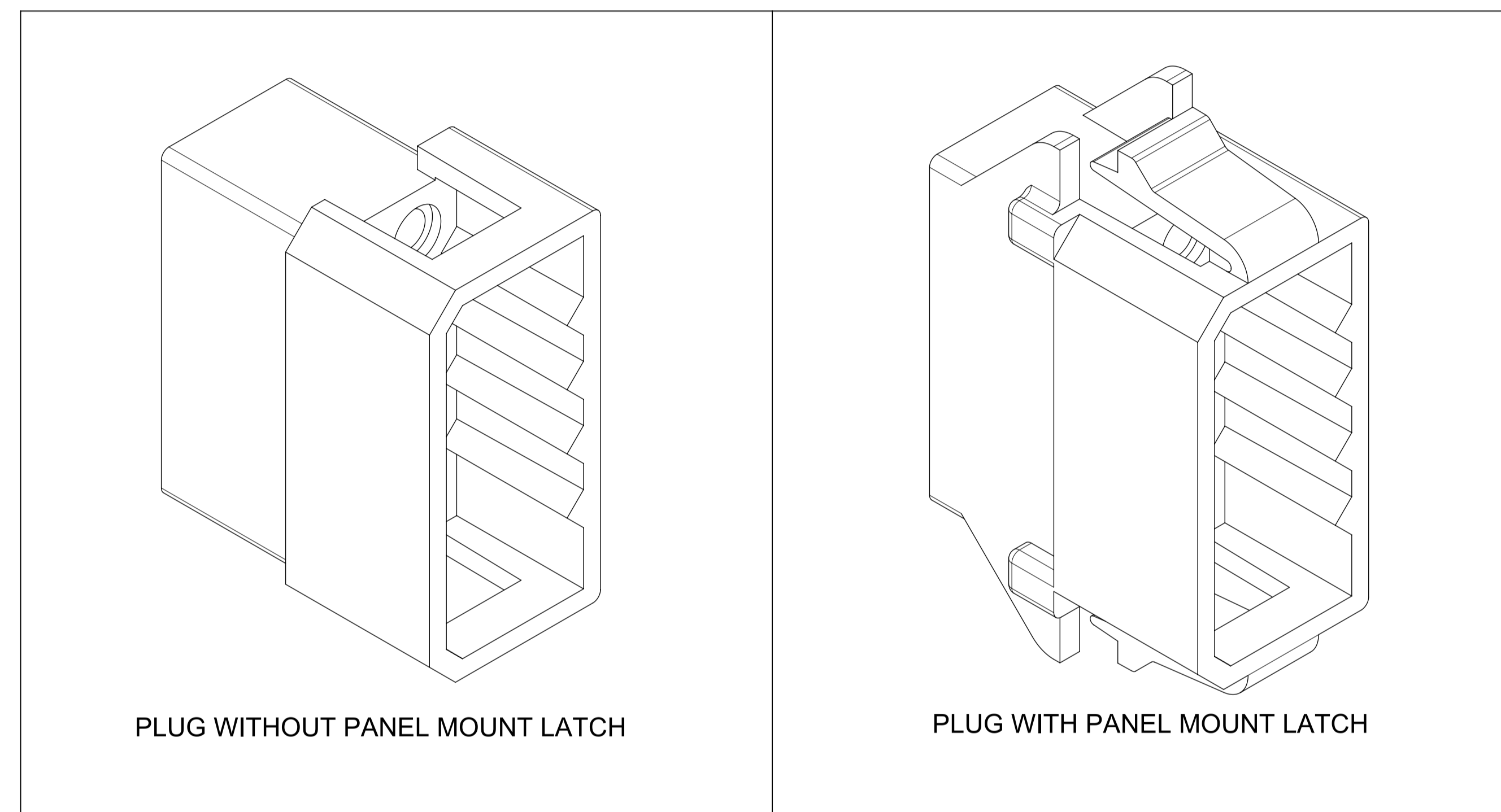
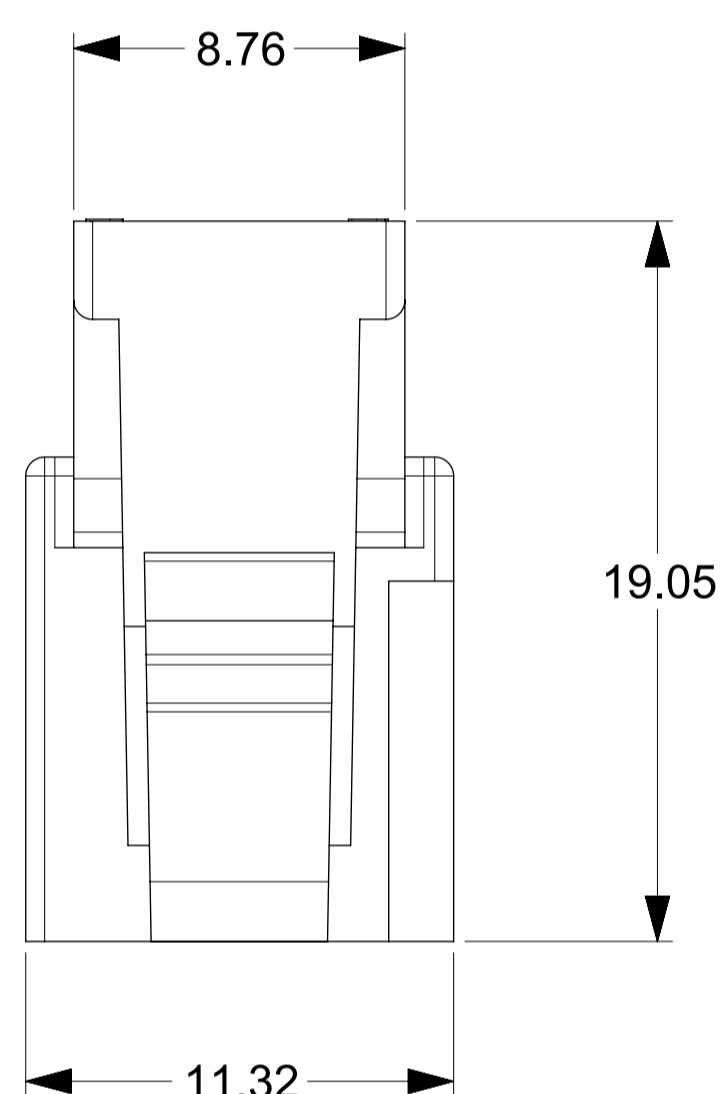
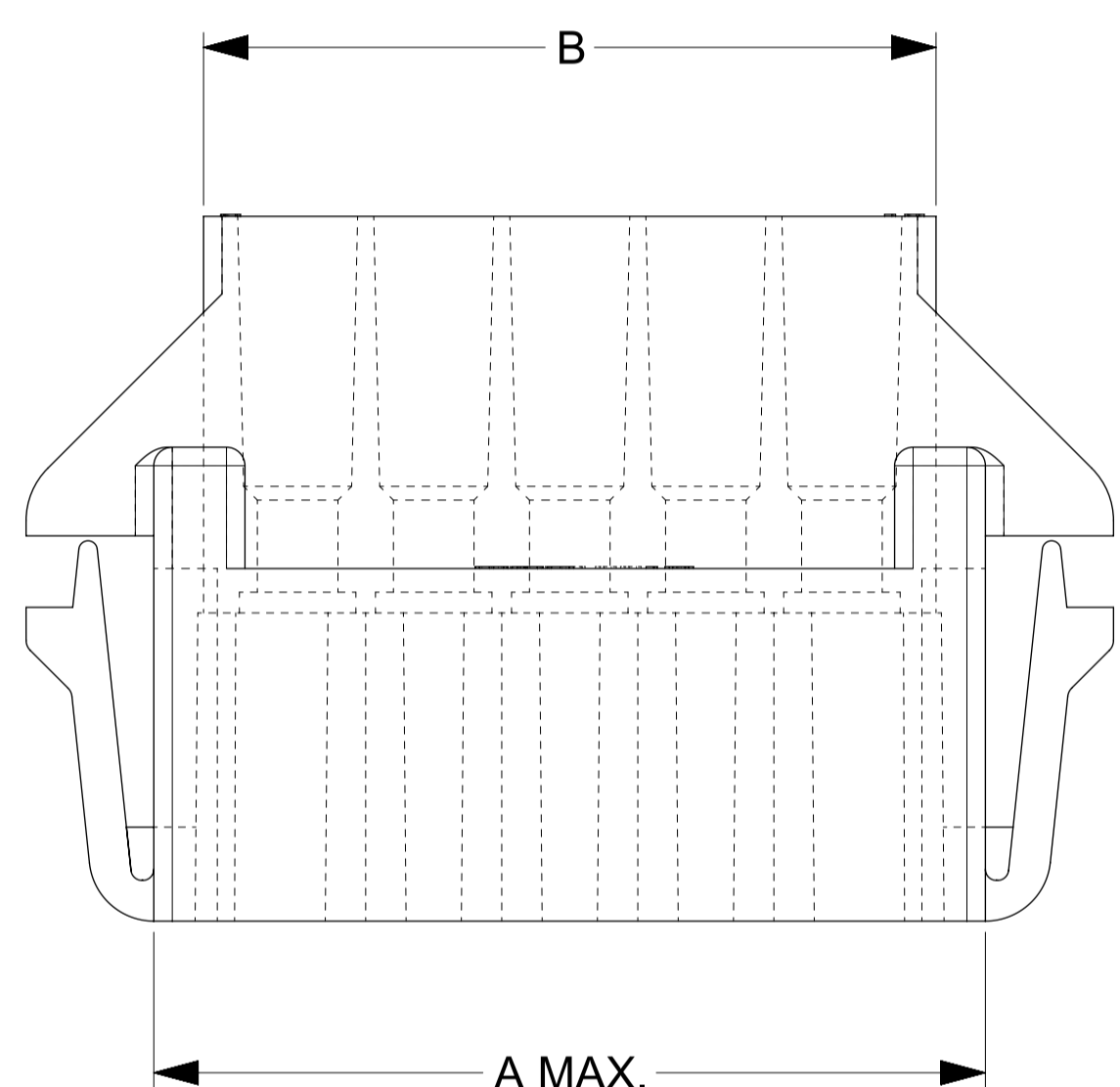
1501772100
10 CIRCUIT



1501772080
8 CIRCUIT



1501772060
6 CIRCUIT



LEGEND

1 5 0 1 7 7 * * * *

NO. OF ROWS ——— *

CIRCUIT SIZE ——— *

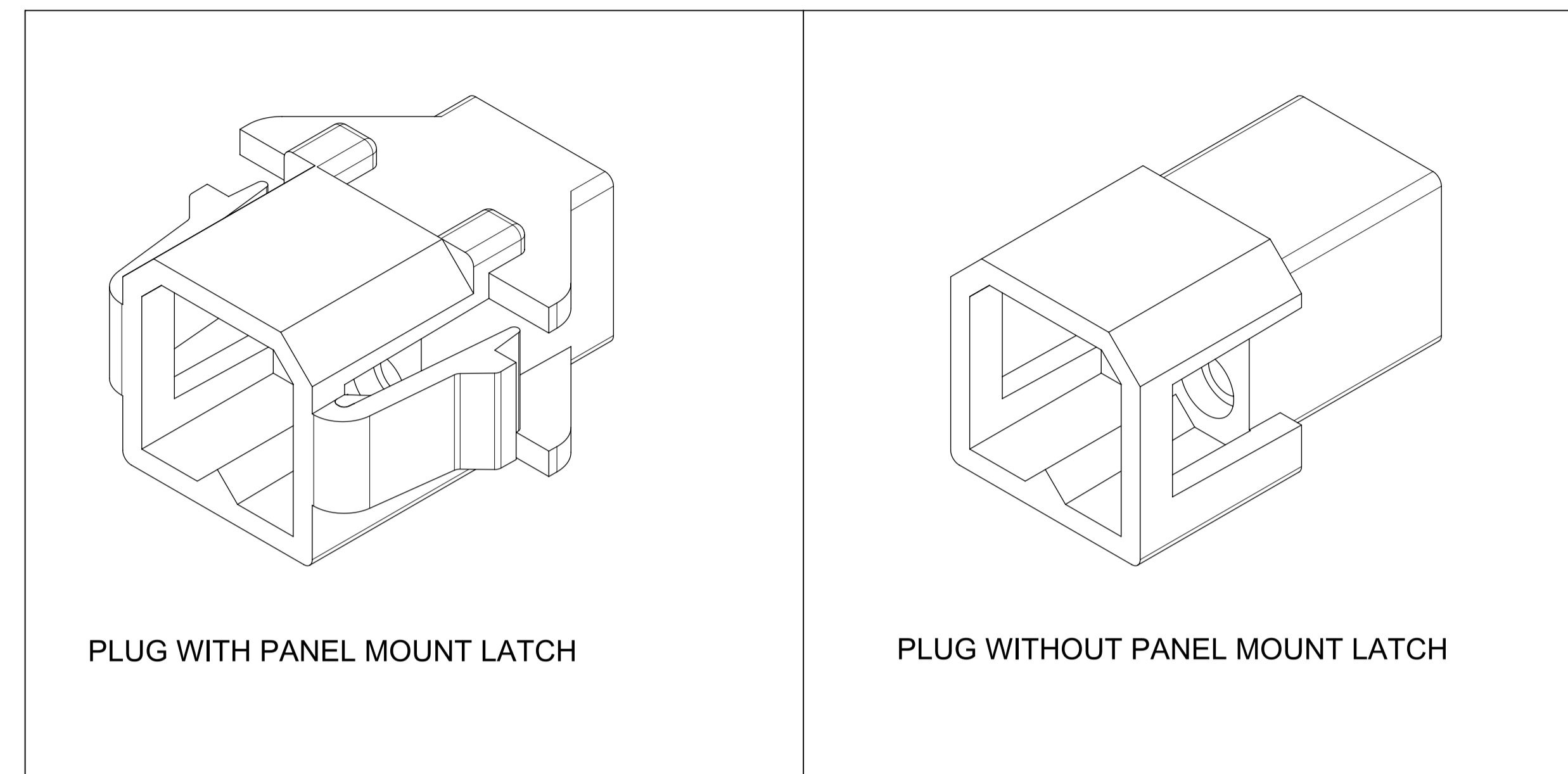
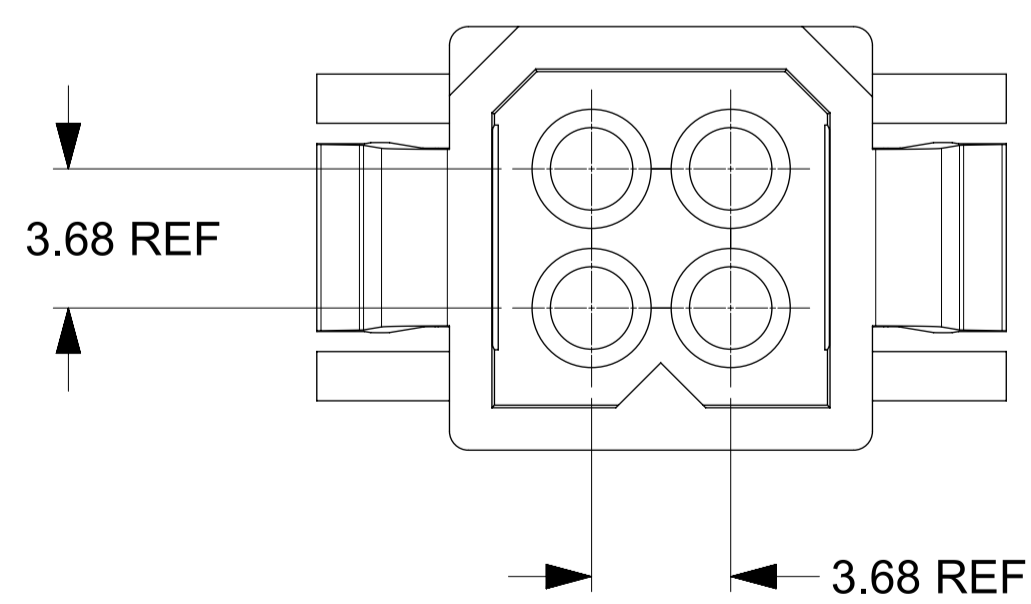
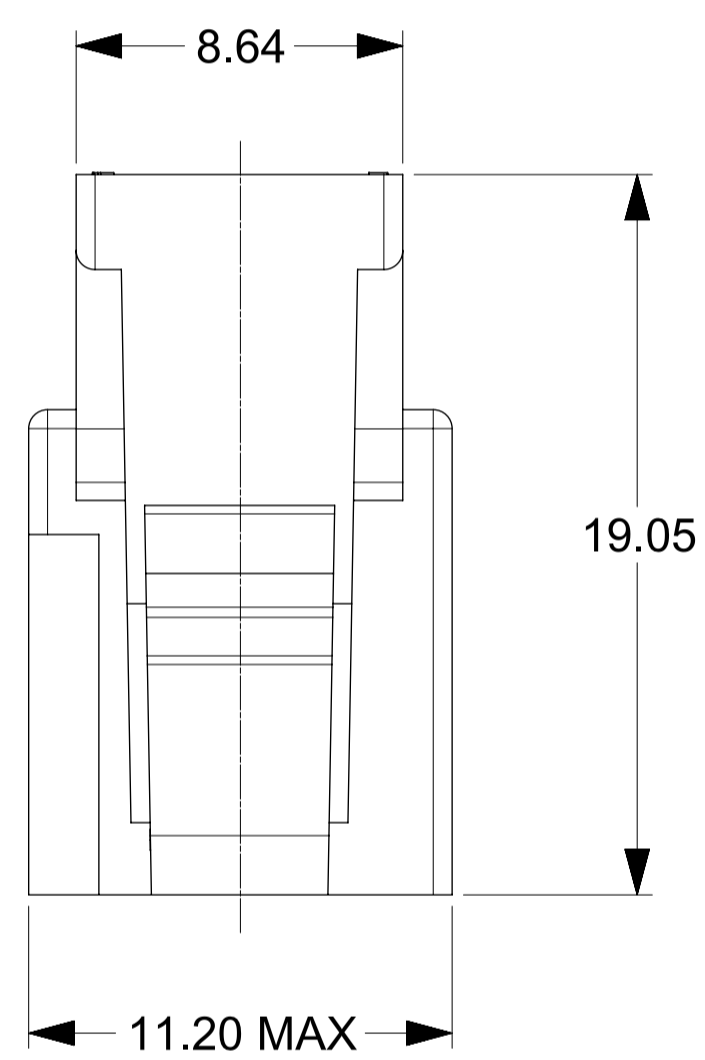
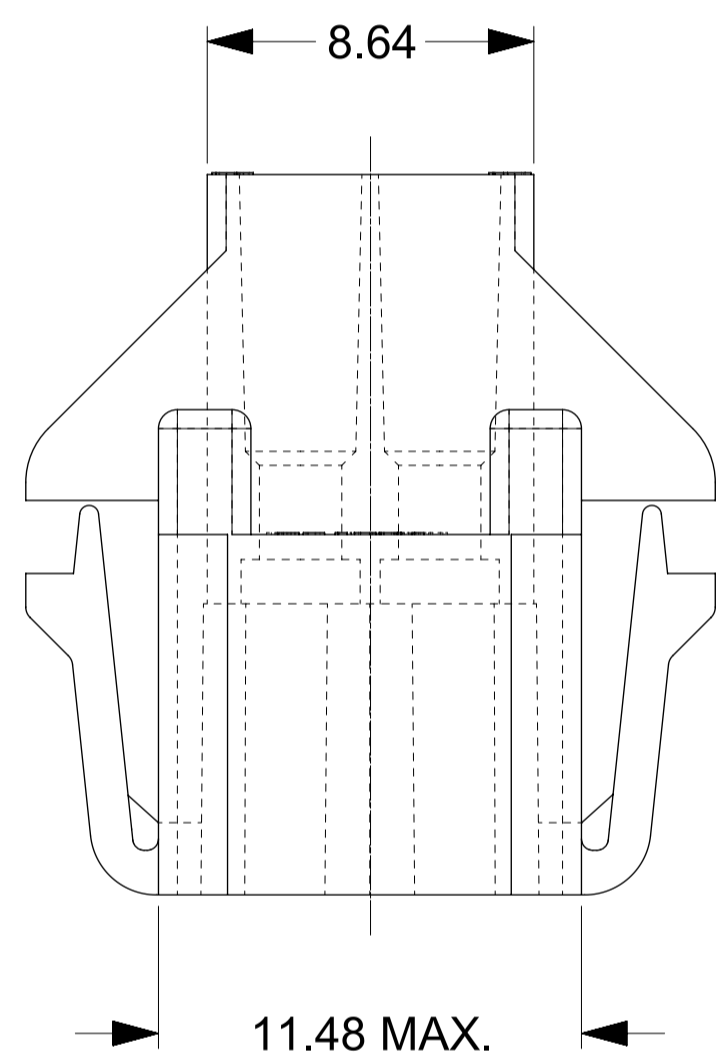
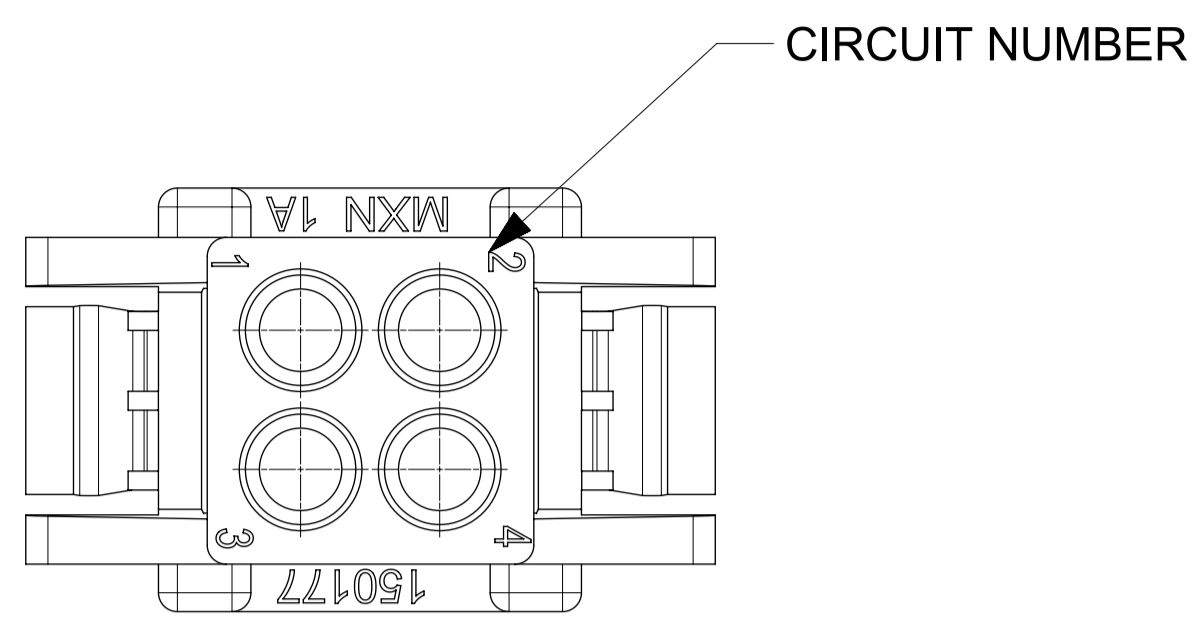
0- WITH PANEL MOUNT LATCH ——— *

1- WITHOUT PANEL MOUNT LATCH ——— *

SL NO.	PART NUMBER	DESCRIPTION	DIM 'A' MAX	DIM B
1	1501772060	6 CKT DUAL ROW WITH PANEL MOUNT LATCH	15.44	12.45
2	1501772061	6 CKT DUAL ROW WITHOUT PANEL MOUNT LATCH		
3	1501772080	8 CKT DUAL ROW WITH PANEL MOUNT LATCH	19.12	16.13
4	1501772081	8 CKT DUAL ROW WITHOUT PANEL MOUNT LATCH		
5	1501772100	10 CKT DUAL ROW WITH PANEL MOUNT LATCH	22.80	19.81
6	1501772101	10 CKT DUAL ROW WITHOUT PANEL MOUNT LATCH		

THIS DRAWING CONTAINS INFORMATION THAT IS PROPRIETARY TO MOLEX ELECTRONIC TECHNOLOGIES, LLC AND SHOULD NOT BE USED WITHOUT WRITTEN PERMISSION

RE-MASTERED IN ECTR EC NO: 107456 DRWN: SNAGARAVENKA CHK'D: REV/ APPR: KPRASAD	2016/10/03	2016/10/26	GENERAL TOLERANCES (UNLESS SPECIFIED)	DIMENSION UNITS	SCALE	<p>ECONOLATCH PLUG HOUSING DUAL ROW</p> <p>PRODUCT CUSTOMER DRAWING</p>											
			ANGULAR TOL ± 1.0 °	MM	5:1												
	4 PLACES ±	DRWN BY	DATE	GES	2014/10/08												
	3 PLACES ±	CHK'D BY	DATE														
	2 PLACES ± 0.25	APPR BY	DATE														
	1 PLACE ± 0.35			DRAWING SIZE	THIRD ANGLE PROJECTION												
0 PLACES ±	DRAFT WHERE APPLICABLE MUST REMAIN WITHIN DIMENSIONS		A1														
RELEASE STATUS	P1	RELEASE DATE	27.10.2016	05:59:44													
18	17	16	15	14	13	12	11	10	9	8	7	6	5	4	3	2	1

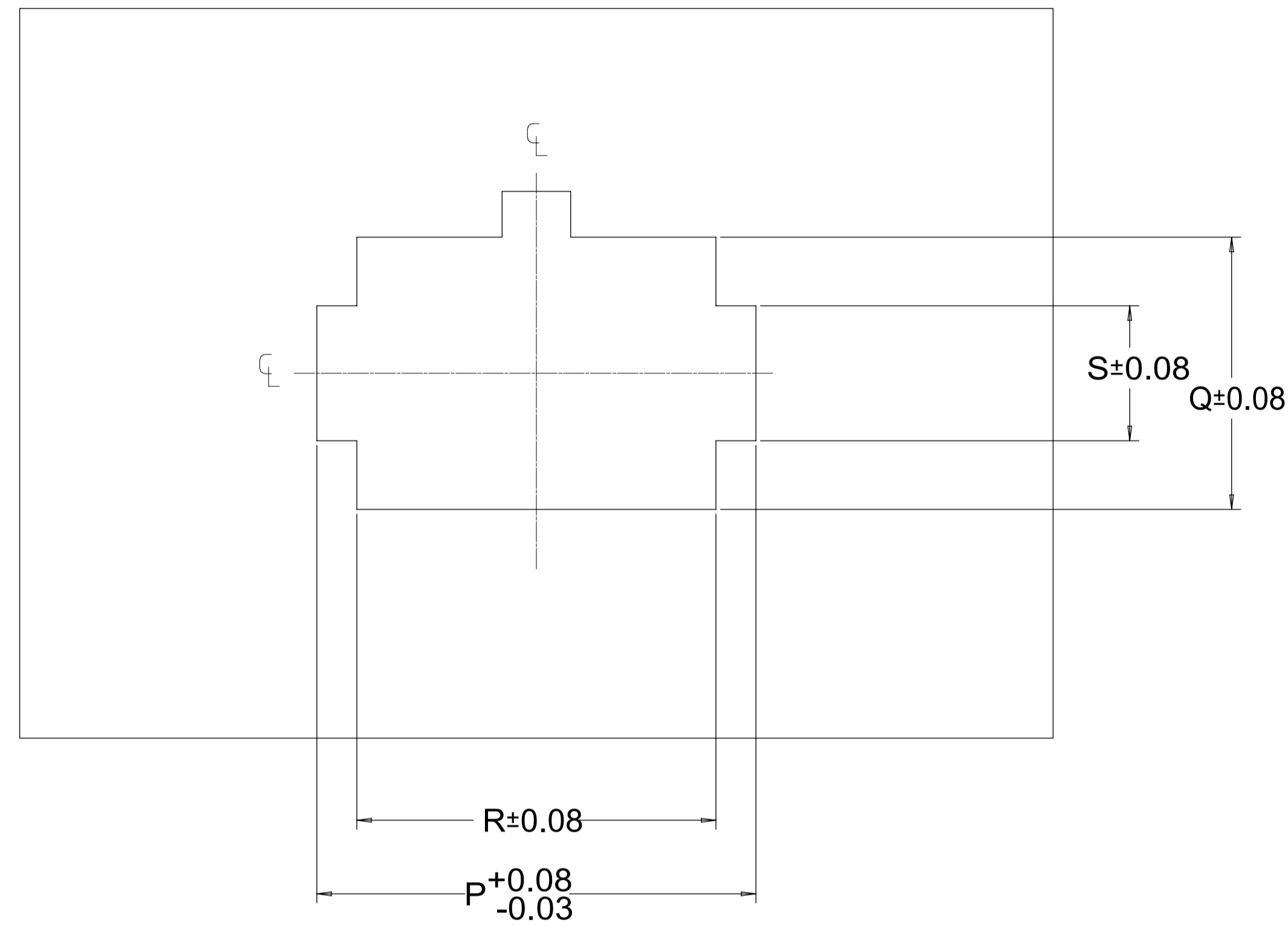


SL NO.	PART NUMBER	DESCRIPTION
1	1501772040	4 CKT DUAL ROW WITH PANEL MOUNT LATCH
2	1501772041	4 CKT DUAL ROW WITHOUT PANEL MOUNT LATCH

THIS DRAWING CONTAINS INFORMATION THAT IS PROPRIETARY TO MOLEX ELECTRONIC TECHNOLOGIES, LLC AND SHOULD NOT BE USED WITHOUT WRITTEN PERMISSION

RE-MASTERED IN ECTR EC NO: 107456 DRWN: SNAGARAVENKA CHK'D: REV / APPR: B	2016/10/03	GENERAL TOLERANCES (UNLESS SPECIFIED)	DIMENSION UNITS	SCALE		
	2016/10/26		MM	5:1		
	DRWN BY		DATE	ECONOLATCH PLUG HOUSING DUAL ROW		
	2016/10/08		GES	PRODUCT CUSTOMER DRAWING		
4 PLACES ±	ANGULAR TOL ± 1.0 °	CHK'D BY	DATE	SERIES	MATERIAL NUMBER	CUSTOMER
3 PLACES ±	2 PLACES ± 0.25	DATE	DATE	150177	SEE TABLE	GENERAL MARKET
2 PLACES ±	1 PLACE ± 0.35	APPR BY	DATE	DOCUMENT NUMBER	DOC TYPE	DOC PART
1 PLACE ±	0 PLACES ±	DATE	DATE	SD-150177-001	PSD	000
DRAFT WHERE APPLICABLE MUST REMAIN WITHIN DIMENSIONS		DRAWING SIZE	THIRD ANGLE PROJECTION	SHEET NUMBER		
		A1		2 OF 3		

SL NO.	PART NUMBER	DESCRIPTION	DIM P	DIM Q	DIM R	DIM S
1	1501772040	4 CKT DUAL ROW	15.64	11.70	11.69	5.82
2	1501772060	6 CKT DUAL ROW	19.45	11.82	15.63	5.82
3	1501772080	8 CKT DUAL ROW	23.13	11.82	19.31	5.82
4	1501772100	10 CKT DUAL ROW	26.81	11.82	22.99	5.82



RECOMMENDED PANEL CUT-OUT LAYOUT
 PANEL THICKNESS-1.50 mm Max.

NOTES:

- 1) MATERIAL : NYLON 66,94V-2 AND COLOR:NATURAL
- 2) PRODUCT SPECIFICATION: 1501760001-PS
- 3) PACKAGING SPECS: PK-150176-001
- 4) THIS PART CONFORMS TO CLASS B REQUIREMENTS OF COSMETIC SPEC PS-45499-002.
- 5) THIS PART CONFORMS TO MOISTURIZING SPECIFICATIONS OF NYLON PARTS REFER AS-45499-001
- 6) PARTS ACCEPT TERMINAL SERIES 150180.
- 7) THIS PARTS MATES WITH SERIES 150179

THIS DRAWING CONTAINS INFORMATION THAT IS PROPRIETARY TO MOLEX ELECTRONIC TECHNOLOGIES, LLC AND SHOULD NOT BE USED WITHOUT WRITTEN PERMISSION													
RE-MASTERED IN ECTR EC NO: 107456 DRWN: SNAGARAVENKA CHK'D: REV/ APPR: B	2016/10/03 2016/10/26	GENERAL TOLERANCES (UNLESS SPECIFIED)		DIMENSION UNITS	SCALE	molex [®]							
		ANGULAR TOL $\pm 1.0^\circ$		MM	1:1								
		4 PLACES \pm		DRWN BY	DATE								
		3 PLACES \pm		GES		2014/10/08		ECONOLATCH PLUG HOUSING DUAL ROW					
		2 PLACES ± 0.25		CHK'D BY	DATE								
		1 PLACE ± 0.35		APPR BY		DATE	PRODUCT CUSTOMER DRAWING						
0 PLACES \pm		DRAWING SIZE	THIRD ANGLE PROJECTION	SERIES		MATERIAL NUMBER		CUSTOMER					
DRAFT WHERE APPLICABLE MUST REMAIN WITHIN DIMENSIONS				A1		150177	SEE TABLE	GENERAL MARKET					
DOCUMENT NUMBER						DOC TYPE		DOC PART		SHEET NUMBER			
SD-150177-001						PSD		000		3 OF 3			