

# Customer Information Sheet

DRAWING No.: M80-411XXXX

SHEET 2 OF 2

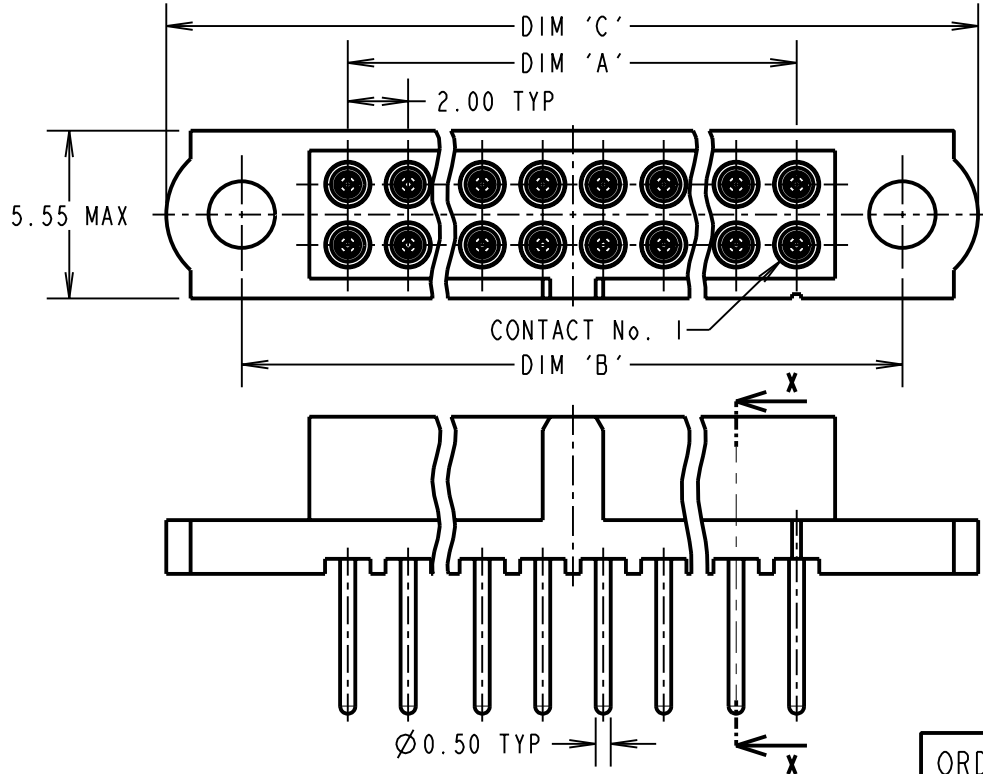
IF IN DOUBT - ASK

(C)

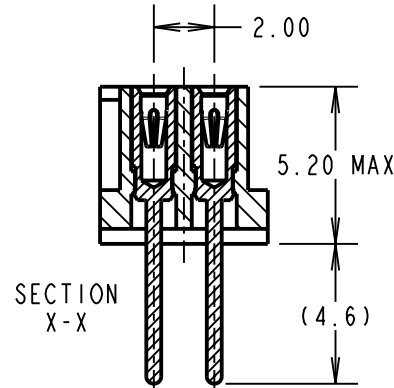
NOT TO SCALE

THIRD ANGLE PROJECTION

ALL DIMENSIONS IN mm



NOTES:  
1. RECOMMENDED PCB HOLE SIZE =  $\varnothing 0.65\text{mm}$  MIN.



**SPECIFICATIONS:**

**MATERIAL:**

MOULDING = GLASS-FILLED PPS, UL94V-0, BLACK  
CONTACT CLIP = BERYLLIUM COPPER  
CONTACT SHELL = BRASS

**FINISH:**

01 = 0.3 $\mu$  GOLD CLIP, 3.5-5.0 $\mu$  TIN/LEAD SHELL  
05 = 0.3 $\mu$  GOLD CLIP, 0.25-0.3 $\mu$  GOLD SHELL  
42 = 0.3 $\mu$  GOLD CLIP, 3.5-5.0 $\mu$  100% TIN OVER NICKEL SHELL

**ELECTRICAL:**

CURRENT RATING AT 25°C = 3.0A MAX  
CURRENT RATING AT 85°C = 2.2A MAX  
WORKING VOLTAGE = 120V AC/DC  
VOLTAGE PROOF = 360V AC/DC  
CONTACT RESISTANCE = 25 m $\Omega$  MAX  
INSULATION RESISTANCE = 100 M $\Omega$  MIN

**MECHANICAL:**

DURABILITY = 500 OPERATIONS  
INSERTION FORCE ( $\varnothing 0.5\text{mm}$  GAUGE) = 2.8N MAX  
WITHDRAWAL FORCE ( $\varnothing 0.5\text{mm}$  GAUGE) = 0.2N MIN

**ENVIRONMENTAL:**

TEMPERATURE RANGE = -55°C TO +125°C

**PACKING:**

TUBE

FOR COMPLETE SPECIFICATION, SEE COMPONENT SPECIFICATION C005XX (LATEST ISSUE)

DIMENSION	CALCULATION
DIM 'A'	TOTAL No. OF CONTACTS - 2
DIM 'B'	TOTAL No. OF CONTACTS + 5
DIM 'C'	TOTAL No. OF CONTACTS + 10

EXAMPLE: CONNECTOR WITH 20 CONTACTS, GOLD CLIP AND 100% TIN OVER NICKEL SHELL, M80-4112042

DIM 'A' = 18.00mm, DIM 'B' = 25.00mm, DIM 'C' = 30.00mm

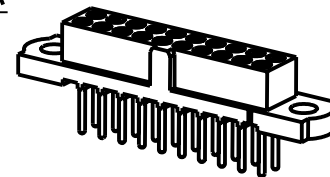
ORDER CODE:

**M80-411XXXX**

TOTAL No. OF CONTACTS —  
04 TO 50  
(EVEN NUMBERS ONLY)

FINISH

01 - GOLD CLIP, TIN/LEAD SHELL  
05 - GOLD CLIP, GOLD SHELL  
42 - GOLD CLIP, 100% TIN OVER NICKEL SHELL



CP	1	31.08.10	10870
NAME	ISS.	DATE	C/NOTE
APPROVED: C.PENROSE			
CHECKED: R.ADDE			
DRAWN: W. J. BOURNE			
CUSTOMER REF.:			
ASSEMBLY DRG:			

**HARWIN**

HARWIN USA  
TEL: 603 893 5376  
FAX: 603 893 5396  
mis@harwin.com

HARWIN Europe (UK)  
TEL: 023 9231 4545  
FAX: 023 9231 4590  
mis@harwin.co.uk

HARWIN Asia  
TEL: +65 6 779 4909  
FAX: +65 6 779 3868  
mis@harwin.com.sg

THIS DRAWING AND ANY INFORMATION OR DESCRIPTIVE MATTER SET OUT HEREON ARE CONFIDENTIAL AND COPYRIGHT PROPERTY OF THE HARWIN GROUP AND MUST NOT BE DISCLOSED, LOANED, COPIED OR USED FOR MANUFACTURING, TENDERING OR FOR ANY OTHER PURPOSE WITHOUT THEIR WRITTEN PERMISSION.

TOLERANCES

X. =  $\pm 1\text{mm}$   
X.X =  $\pm 0.25\text{mm}$   
X.XX =  $\pm 0.10\text{mm}$   
X.XXX =  $\pm 0.01\text{mm}$

ANGLES =  $\pm 5^\circ$   
UNLESS STATED

MATERIAL:

SEE ABOVE

FINISH: SEE ABOVE

S/AREA: mm<sup>2</sup>

TITLE: JACKSCREW DATAMATE  
DIL VERTICAL PC TAIL (4.5mm)  
FEMALE ASSY (NO J/SCREW)

DRAWING NUMBER:

**M80-411XXXX**

SHT  
2 OF 2