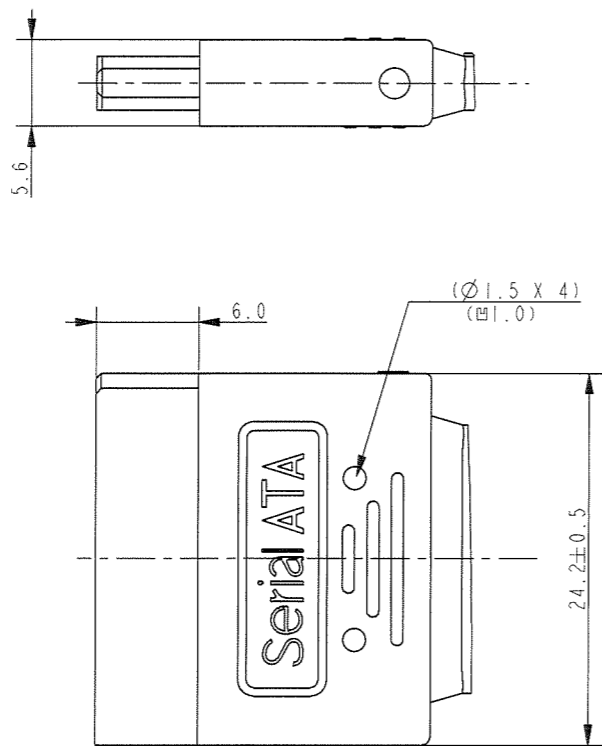
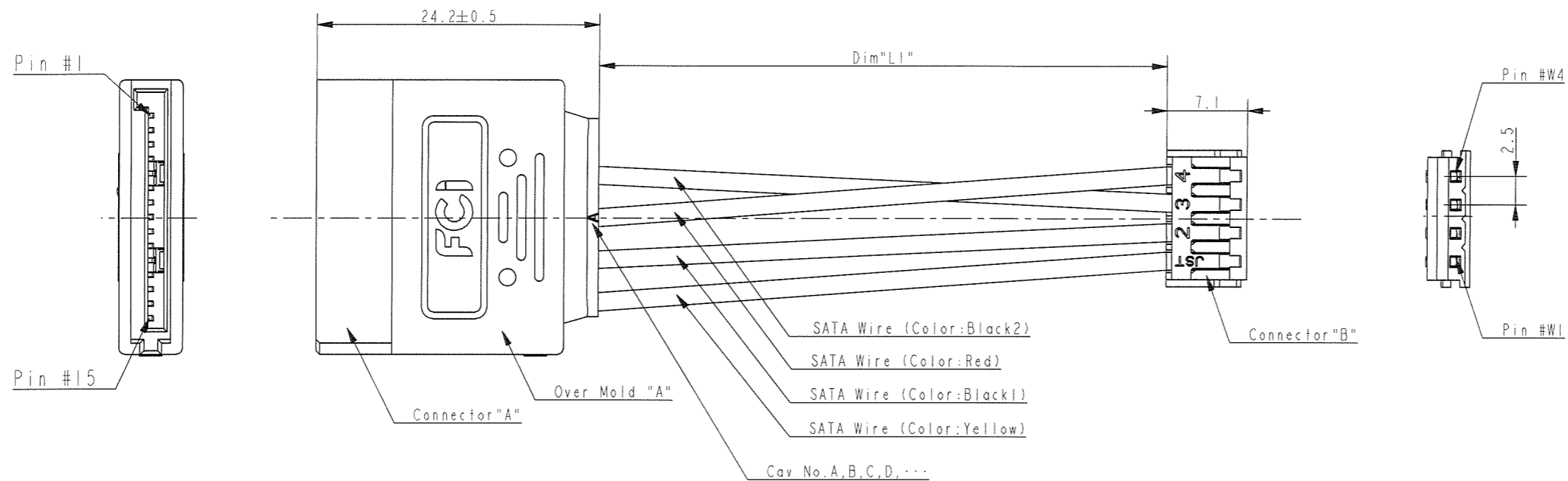


1	2	3	4	5	6	7	8
Product NO.	Dim "L1"	Connector "A"	Over Mold "A"	Connector "B"	SATA Cable Wire	Solder	
10103791-15S064HLF	64±8	SATA 15P Receptacle connector Straight type Housing, Back Cover: Heat resistant resin, Halogen Free, UL94V-0, Color Black	Heat resistant resin, Halogen Free, UL94V-0, Color Black	EH 4P Connector (2.5mmP Wire/Board Connector) Maker: JST Part No.: Housing: EHR-4 Terminal: SEH-001 T-P0.6	Insulation Wire (UL3385 105°C 300V AWG22 VW-1 Halogen Free with F-mark) Color: Black X2, Yellow, Red	Sn96.5-Ag3.0-Cu0.5 Lead Free	
10103791-15S108HLF	108±8	Contact: Copper Alloy Contact Area: Gold plating over Ni plating					



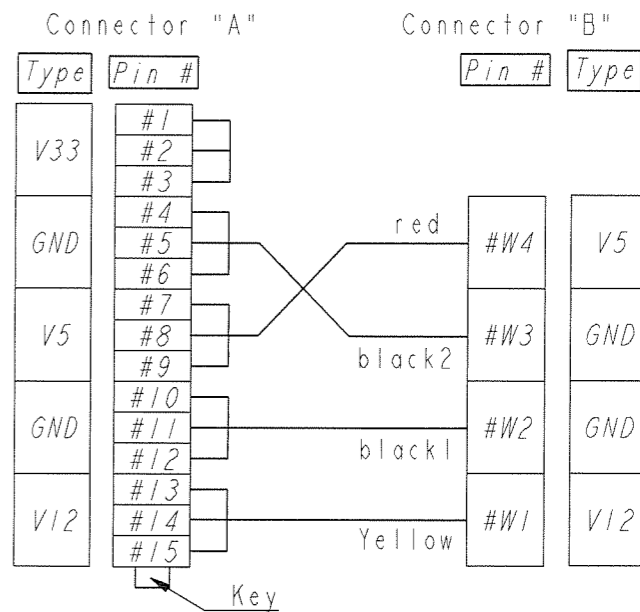
NOTE)

- 1) This product is based on Serial ATA Revision 2.6.
- 2) This product is manufactured by soldering process.
- 3) About the other Dim "L1" length, please inquire to sales person in our company.
- 4) Product SPEC: GS-12-672
- 5) Package SPEC: GS-14-1056
- 6) P/N composition

10103791 - 15 S XXX H LF

- Lead Free
- Halogen Free
- Cable length: Dim "L1"
- SATA Side Type: (S: Straight, R: R/A)
- Power connector position

**Wiring Table:
Pin Assigment**



Copyright FCJ

www.fciconnect.com		surface ISO 1302	tolerance std ISO 406 ISO 1101	projection MM
		TOLERANCES UNLESS OTHERWISE SPECIFIED		
Dr	T. Ishishita	2010-10-14	ANGULAR	0.X ±0.4
Eng	T. Ishishita	2010-10-14	LINEAR	0.XX ±0.4
Chr	T. Kamada	2010-10-14	0° ±4°	0.XXX ±0.4
Appr	M. Mori	Oct 18 2010	Product family	233F
FCJ		Title		Rev.
		SATA 15P Power Cable Harness		10103791
		SATA 15P Receptacle Straight		A
catalog no		CUSTOMER		sheet 1 of 1

rev	ecc no	dr	date
A	J10-0210	T.1	2010-10-14
-	-	-	-
-	-	-	-
-	-	-	-
-	-	-	-