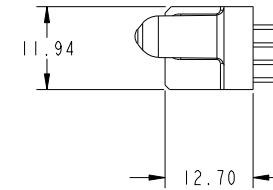
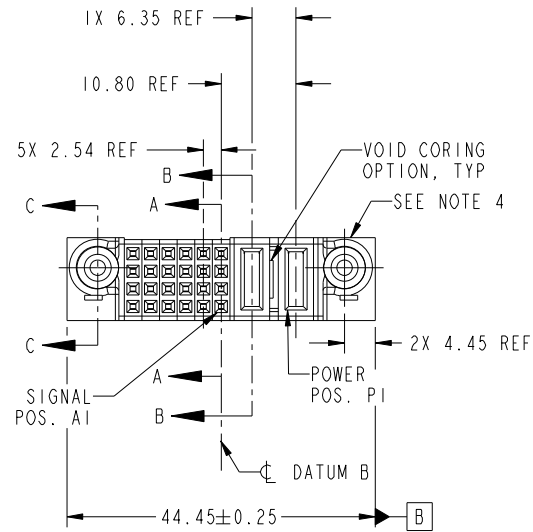


Tous droits strictement reserves. Reproduction ou communication a des tiers interdite sous quelque forme que ce soit sans autorisation écrite du propriétaire. Propriete de c FCI. Droits de reproduction FCI.



All rights strictly reserved. Reproduction or issue to third parties in any form whatever is not permitted without written authority from the proprietor. Property of FCI. Copyright FCI.

| | | | | | | | | | | | |
|-----------------------|------------------|--------|---|---|---|---|-------|---|----|----|----|
| PRODUCT NO. | ROWS | SIGNAL | | | | | POWER | | E1 | | |
| | | E2 | 6 | 5 | 4 | 3 | 2 | 1 | | P2 | P1 |
| 51940-234- NOTE: 3 | D C B A | | E | E | E | E | E | E | PD | PA | |



| CODE | DIM "M" MATING LENGTH | CONTACT TYPE |
|------|-----------------------|--------------|
| E | [N/A] | SIGNAL |
| PA | [1.07] | POWER |
| PD | [2.34] | POWER |

| | | | | | | | | | | | |
|-------------|----------------|-----|----------|-------------|----------------------|---------------------------------------|------------------------|----------|----------------------------------|-----|--|
| mat'l code | | | | SEE NOTES 2 | | tolerances unless otherwise specified | | CUSTOMER | | FCI | |
| ltr | ecn no. | dr | date | linear | 0.X ± 0.3 | projection | COPY | | www.fciconnect.com | | |
| A | DG07-0341 | SH | 08/23/07 | angles | 0.XX ± 0.13 | | title | | 2P + 24S | | |
| | | | | | 0.XXX ± 0.051 | | VERTICAL SOLDER RECEPT | | product family PwrBlade code 213 | | |
| | | | | dr | Sincere He 08/23/07 | scale | size | | dwg no 51940-234 sheet 1 of 4 | | |
| | | | | enr | Sincere He 08/23/07 | 1:1 | A | | cage code 22526 | | |
| | | | | chr | Gary Hsieh 08/23/07 | | | | | | |
| | | | | appd | Joseph Hsia 08/23/07 | | | | | | |
| sheet index | revision sheet | A 1 | A 2 | A 3 | A 4 | | | | | | |

1 | 2

Pro/E

3 |

cage code 22526

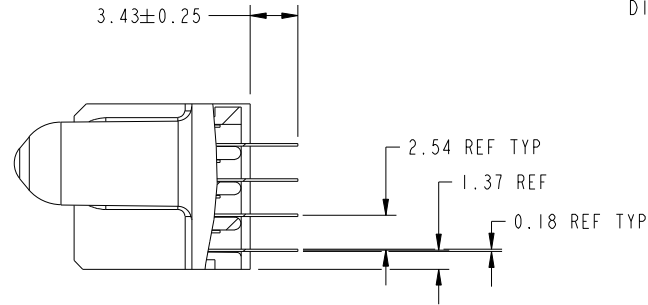
4

Tous droits strictement reserves. Reproduction ou communication a des tiers interdite sous quelque forme que ce soit sans autorisation écrite du propriétaire. Propriete de c FCI. Droits de reproduction FCI.

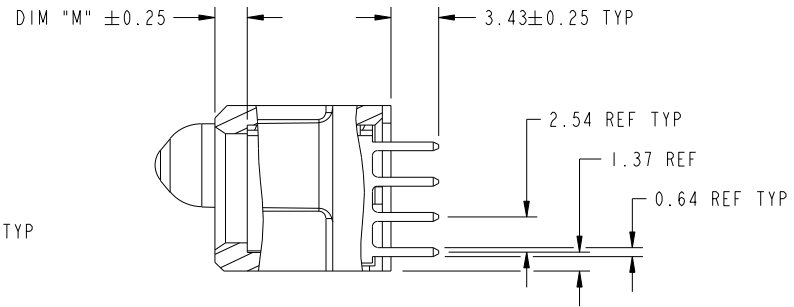


All rights strictly reserved. Reproduction or issue to third parties in any form whatever is not permitted without written authority from the proprietor. Property of FCI. Copyright FCI.

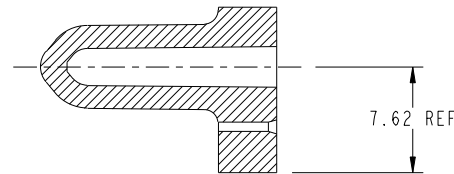
PRODUCT NUMBER
51940-234--
NOTE: 3



SECTION A-A
SCALE 2:1



SECTION B-B
SCALE 2:1



SECTION C-C
SCALE 2:1

| | | | | | | | | | | | |
|-------------|---------|----------------|------|------------|----------------------|---------------------------------------|--|----------------|--|--------------------|--|
| mat'l code | | | | SEE NOTE 2 | | tolerances unless otherwise specified | | CUSTOMER | | FCI | |
| ltr | ecr no. | dr | date | linear | 0.X ±0.3 | projection | | COPY | | www.fciconnect.com | |
| A | | | | | 0.XX ±0.13 | | | title | | 2P + 24S | |
| | | | | angles | 0.XXX ±0.051 | | | product family | | PwrBlade | |
| | | | | dr | Sincere He 08/23/07 | scale | | size | | code | |
| | | | | enr | Sincere He 08/23/07 | 1:1 | | dwg no | | 213 | |
| | | | | chr | Gary Hsieh 08/23/07 | | | A | | sheet | |
| | | | | appd | Joseph Hsia 08/23/07 | | | 51940-234 | | 2 of 4 | |
| sheet index | | revision sheet | | | | | | | | | |

cage code 22526

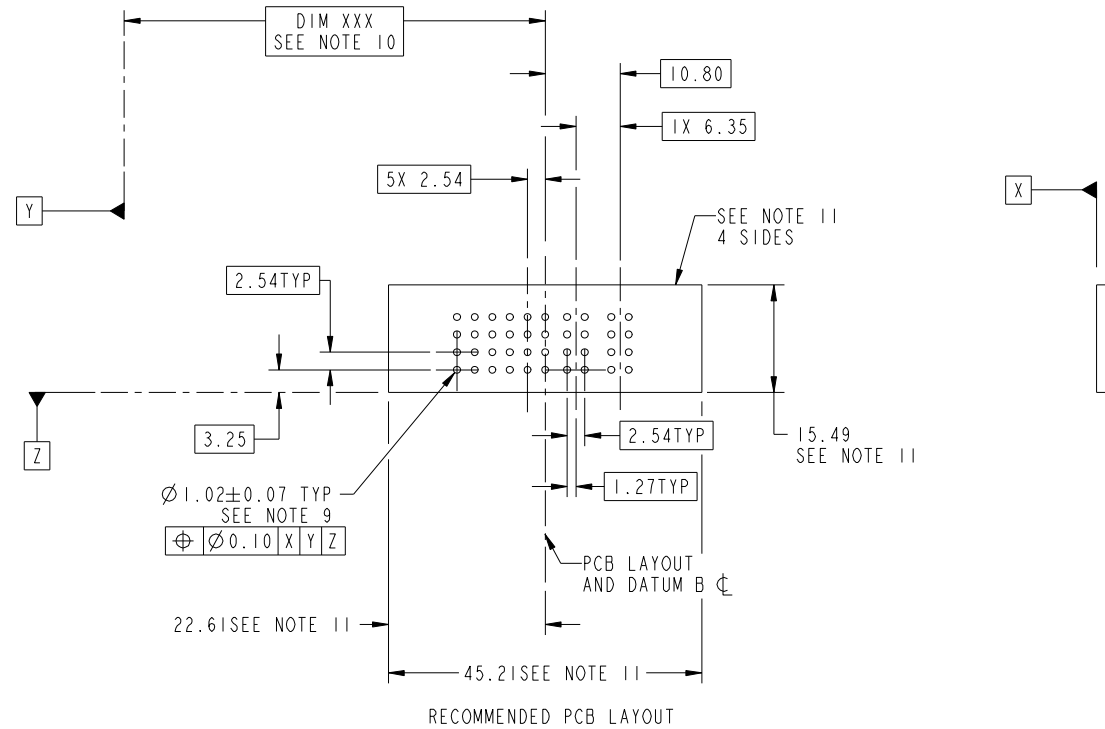
Pro/E

Tous droits strictement reserves. Reproduction ou communication a des tiers interdite sous quelque forme que ce soit sans autorisation écrite du propriétaire. Propriete de c FCI. Droits de reproduction FCI.



All rights strictly reserved. Reproduction or issue to third parties in any form whatever is not permitted without written authority from the proprietor. Property of FCI. Copyright FCI.

PRODUCT NUMBER
51940-234--
NOTE: 3



| | | | | | | | | | |
|-------------|----------------|------------|------|---------------------------------------|----------------------|------------|--|------------------------------------|--|
| mat'l code | | SEE NOTE 2 | | tolerances unless otherwise specified | | CUSTOMER | | FCI | |
| ltr | ecn no. | dr | date | linear | 0.X ±0.3 | COPY | | www.fciconnect.com | |
| A | | | | | 0.XX ±0.13 | projection | | title | |
| | | | | angles | 0.XXX ±0.051 | | | 2P + 24S VERTICAL SOLDER RECEPT | |
| | | | | dr | Sincere He 08/23/07 | MIM | | product family PwrBlade code 213 | |
| | | | | enr | Sincere He 08/23/07 | | | size dwg no 213 | |
| | | | | chr | Gary Hsieh 08/23/07 | scale | | sheet 3 of 4 | |
| | | | | appd | Joseph Hsia 08/23/07 | 1:1 | | 51940-234 | |
| sheet index | revision sheet | | | | | | | | |

Pro/E

cage code 22526

Tous droits strictement reserves. Reproduction ou communication a des tiers interdite sous quelque forme que ce soit sans autorisation écrite du propriétaire. Propriete de c FCI. Droits de reproduction FCI.



All rights strictly reserved. Reproduction or issue to third parties in any form whatever is not permitted without written authority from the proprietor. Property of FCI. Copyright FCI.

A

B

PRODUCT NUMBER
51940-234--
NOTE: 3

NOTES:

1. DIMENSIONS AND TOLERANCES ARE IN ACCORDANCE WITH ASME Y14.5M, 1994 UNLESS OTHERWISE SPECIFIED.

CONNECTOR NOTES:

2 HOUSING MATERIAL: UL 94 V-0 GLASS FILLED

HIGH-TEMP THERMOPLASTIC
POWER CONTACT MATERIAL: COPPER ALLOY
SIGNAL PIN MATERIAL: COPPER ALLOY

3. PLATING:

51940-234: SIGNAL PIN: 30u"/0.76um Au OVER 50u"/1.27um Ni ON CONTACT AREA
AND 100u"/2.54um SnPb OVER 50u"/1.27um Ni ON PCB INTERFACE
POWER PIN: 30u"/0.76um Au OVER 50u"/1.27um Ni ON CONTACT AREA
AND 100u"/2.54um SnPb OVER 50u"/1.27um Ni ON PCB INTERFACE

51940-234LF: SIGNAL PIN: 30u"/0.76um Au OVER 50u"/1.27um Ni ON CONTACT AREA
AND 78u"/2.00um Sn OVER 50u"/1.27um Ni ON PCB INTERFACE
POWER PIN: 30u"/0.76um Au OVER 50u"/1.27um Ni ON CONTACT AREA
AND 78u"/2.00um Sn OVER 50u"/1.27um Ni ON PCB INTERFACE

PART NUMBER 51940-234LF MEETS EUROPEAN UNION DIRECTIVE AND OTHER COUNTRY REGULATIONS AS DESCRIBED IN GS-22-008.

THE HOUSING WILL WITHSTAND EXPOSURE TO 260° PEAK TEMPERATURE FOR 10 SECONDS IN A WAVE SOLDER APPLICATION WITH A CIRCUIT BOARD.

4 MANUFACTURER'S NAME, P/N, AND DATE CODE TO APPEAR ON THIS SURFACE.

5. PRODUCT SPECIFICATION GS-12-149.
APPLICATION SPECIFICATION BUS-20-067.

6. PACKAGED IN TRAYS.

PCB NOTES:

7. ALL HOLE DIAMETERS ARE FINISHED HOLE SIZE.

8 MOUNTING HOLES, WHERE APPLICABLE, ARE UNPLATED.

9 $\varnothing 1.151 \pm 0.025$ DRILLED HOLES PLATED WITH
0.008 MIN SnPb OR Sn OVER 0.03
TO 0.08 Cu PLATING TO ACHIEVE
 $\varnothing 1.02 \pm .07$ HOLE.

10 "DIM XXX" TO BE DETERMINED BY THE CUSTOMER.

11 CONNECTOR KEEP-OUT ZONE.

| | | | | | | | | | | | |
|-------------|----------------|----|------|------------|----------------------|---------------------------------------|--|--------------------|--|------------------------|--|
| mat'l code | | | | SEE NOTE 2 | | tolerances unless otherwise specified | | CUSTOMER | | FCI | |
| ltr | ecm no. | dr | date | linear | 0.X ± 0.3 | COPY | | www.fciconnect.com | | title | |
| A | | | | | 0.XX ± 0.13 | projection | | 2P + 24S | | VERTICAL SOLDER RECEPT | |
| | | | | angles | 0.XXX ± 0.051 | | | product family | | code | |
| | | | | dr | Sincere He 08/23/07 | MIM | | PwrBlade | | 213 | |
| | | | | enr | Sincere He 08/23/07 | | | size | | sheet | |
| | | | | chr | Gary Hsieh 08/23/07 | scale | | dwg no | | 4 of 4 | |
| | | | | appd | Joseph Hsia 08/23/07 | 1:1 | | A | | 51940-234 | |
| sheet index | revision sheet | | | | | | | | | | |

cage code 22526

Pro/E

1 | 2

3 |

4

A

B