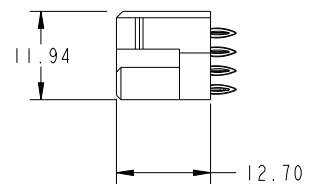
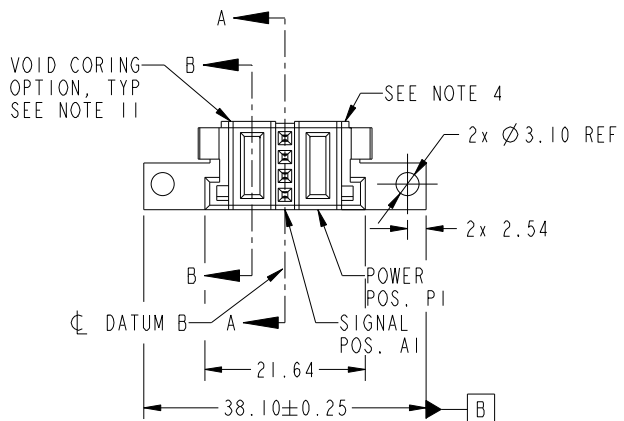
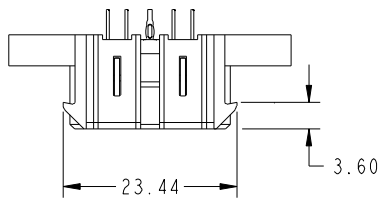


PRODUCT NO.	ROWS	POW		S		POW	
51940-501-- NOTE: 3	D C B A	E2	P2	1	P1	E1	
		PF	F F F	PC			



CODE	DIM "M" MATING LENGTH	CONTACT TYPE
PF	[2.34]	POWER
PC	[1.07]	POWER
F	[N/A]	SIGNAL

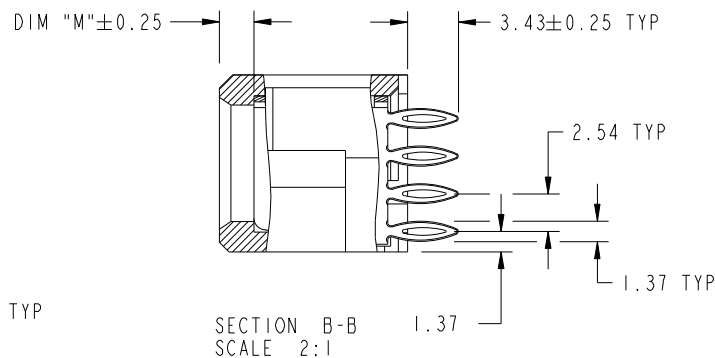
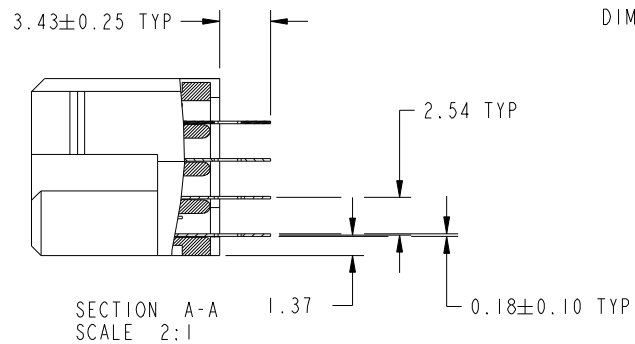
spec ref	*	dr	Luo Weller	2013/06/18	projection	MM	size	A4	scale	1:1	
tolerance std	SEE NOTE	eng	Luo Weller	2013/07/14			ecn no	-			
	TOLERANCES UNLESS OTHERWISE SPECIFIED	chr	-	-			rel level				
		appr	Pei-Ming Zheng	2013/07/14	product family	PwrBlade					
surface	linear	 <b>IP+4S+IP</b> VERTICAL PRESS-FIT RECEPT <a href="http://www.fci.com">www.fci.com</a>			title	dwg no	51940-501	rel	A	Released	
	0.X										±0.5
	0.XX										±0.25
	0.XXX	±0.1									
	angular	0°	±2°								
					cat. no.	*	Product - Customer Drw	sheet 1 of 4			

Part File - REV C - 2009-06-09



Copyright FCI.

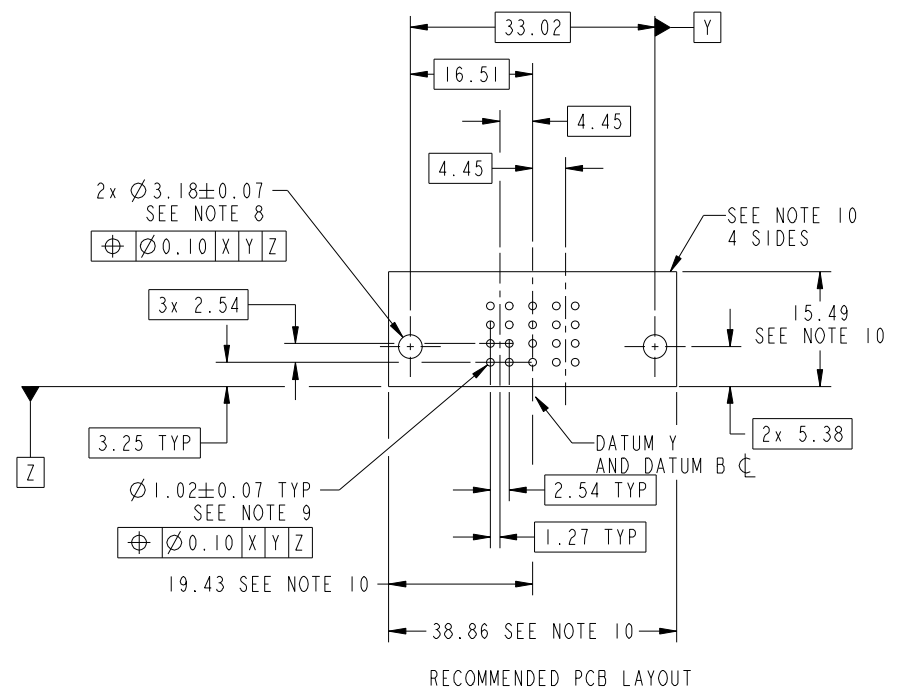
PRODUCT NUMBER  
51940-501\_\_  
NOTE: 3



Copyright FCI.

dr	Luo Weller	2013/06/18	projection 	MM 	size	A4	scale	1:1	
eng	Luo Weller	2013/07/14			ecn no	-			
chr	-	-			rel level	-			
appr	Pei-Ming Zheng	2013/07/14			product family	PwrBlade	Released		
		title	IP+4S+IP		dwg no	51940-501		rev	A
www.fci.com		cat. no.	*		Product - Customer Drw		sheet 2 of 4		

PRODUCT NUMBER  
51940-501\_\_  
NOTE: 3



Copyright FCI.

dr	Luo Weller	2013/06/18	projection	MM	size	A4	scale	1:1
eng	Luo Weller	2013/07/14			ecn no	-		
chr	-	-	product family	PwrBlade	rel level	Released		
appr	Pei-Ming Zheng	2013/07/14	<b>IP+4S+IP</b> VERTICAL PRESS-FIT RECEPT		dwg no <b>51940-501</b>	rev <b>A</b>		
www.fci.com		cat. no.	* Product - Customer Drw		sheet 3 of 4			

Print File - REV C - 2009-06-09

PRODUCT NUMBER

51940-501\_\_  
NOTE: 3

NOTES:

1. DIMENSIONS AND TOLERANCES ARE IN ACCORDANCE WITH ASME Y14.5M, 1994 UNLESS OTHERWISE SPECIFIED.

CONNECTOR NOTES:

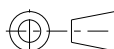


- 2 HOUSING MATERIAL: UL 94 V-0 GLASS FILLED HIGH-TEMP THERMOPLASTIC  
POWER CONTACT MATERIAL: COPPER ALLOY  
SIGNAL PIN MATERIAL: COPPER ALLOY
- 3. SEE ITEM 7 & 8 IN PRINT 10064183 FOR PLATING SPEC OF 51940-501 AND 51940-501LF RESPECTIVELY.
- 4 MANUFACTURER'S NAME, DATE CODE AND OPTIONAL P/N TO APPEAR ON THIS SURFACE. THE MARK CAN BE OMITTED IF THERE IS NOT ENOUGH SPACE ON THIS SURFACE.
- 5. PRODUCT SPECIFICATION GS-12-149.  
APPLICATION SPECIFICATION BUS-20-067.
- 6. PACKAGED IN TRAYS.
- PCB NOTES:
- 7. ALL HOLE DIAMETERS ARE FINISHED HOLE SIZE.
- 8 MOUNTING HOLES, WHERE APPLICABLE, ARE UNPLATED.
- 9  $\varnothing 1.151 \pm 0.025$  DRILLED HOLES PLATED WITH  
0.008 MIN SnPb OR Sn OVER 0.03  
TO 0.08 Cu PLATING TO ACHIEVE  
 $\varnothing 1.02 \pm 0.07$  HOLE.
- 10 CONNECTOR KEEP-OUT ZONE.
- 11. THE VOID CORING IN BETWEEN POWER MODULES, SIGNAL MODULES AND END MODULES ARE OPTIONAL AND THE SHAPE MAY BE DIFFERENT FOR OPTIMIZE THE MOLDING PROCESS. THE VOID CORING WILL NOT EFFECT TO PRODUCT FUNCTION.



C

Copyright FCI.

D

dr	Luo Weller	2013/06/18	projection  MM 	size	A4	scale	1:1
eng	Luo Weller	2013/07/14		ecn no	-		
chr	-	-		rel level	-		
appr	Pei-Ming Zheng	2013/07/14		product family	PwrBlade	Released	
		title <b>IP+4S+IP</b> VERTICAL PRESS-FIT RECEIPT	dwg no <b>51940-501</b>	rev <b>A</b>			
www.fci.com	cat. no.	*	Product - Customer Drw		sheet 4 of 4		