



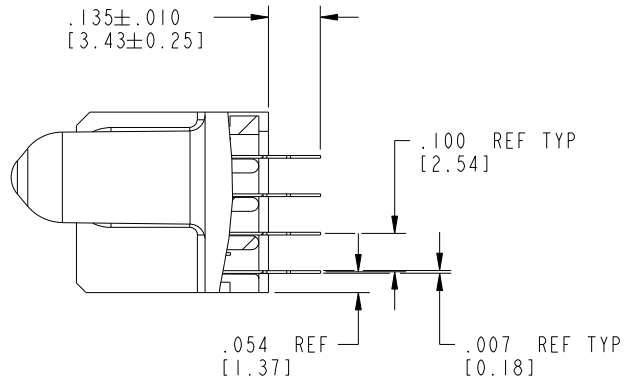
Tous droits strictement réservés. Reproduction ou communication a des tiers interdite sous quelque forme que ce soit sans autorisation écrite du propriétaire. Propriete de c FCI. Droits de reproduction FCI.

All rights strictly reserved. Reproduction or issue to third parties in any form whatever is not permitted without written authority from the proprietor. Property of FCI. Copyright FCI.

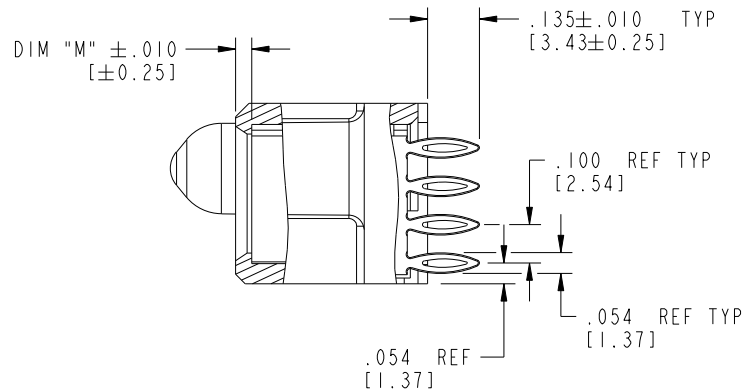


PRODUCT NUMBER

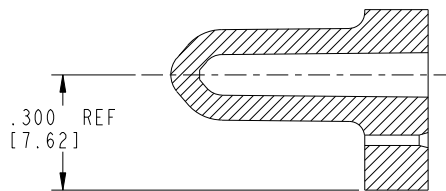
51750-008--  
NOTE: ③



SECTION A-A  
SCALE 2:1



SECTION B-B  
SCALE 2:1



SECTION C-C  
SCALE 2:1

mat'l code		SEE NOTE 2		tolerances unless otherwise specified		CUSTOMER		FCI	
ltr	ecn no.	dr	date	linear	.XX±.01/0.X±0.3	projection	www.fciconnect.com		
E				linear	.XX±.005/0.XX±0.13	INCH/MM	title 3P + 24S + 3P		
				angles	.XXX±.0020/0.XXX±0.051	scale	VERTICAL PRESSFIT RECEPT		
				dr	E. KORFF 01/03/01	1:1	product family PwrBlade		code
				enr	J. DODDS 01/03/01		size	dwg no	213
				chr	J. DODDS 01/03/01		A	51750-008	sheet
				appd	J. DODDS 01/03/01				2 of 4
sheet index	revision sheet								

Pro/E

PDM: Rev: E

STATUS: Released

Printed: Dec 20, 2010

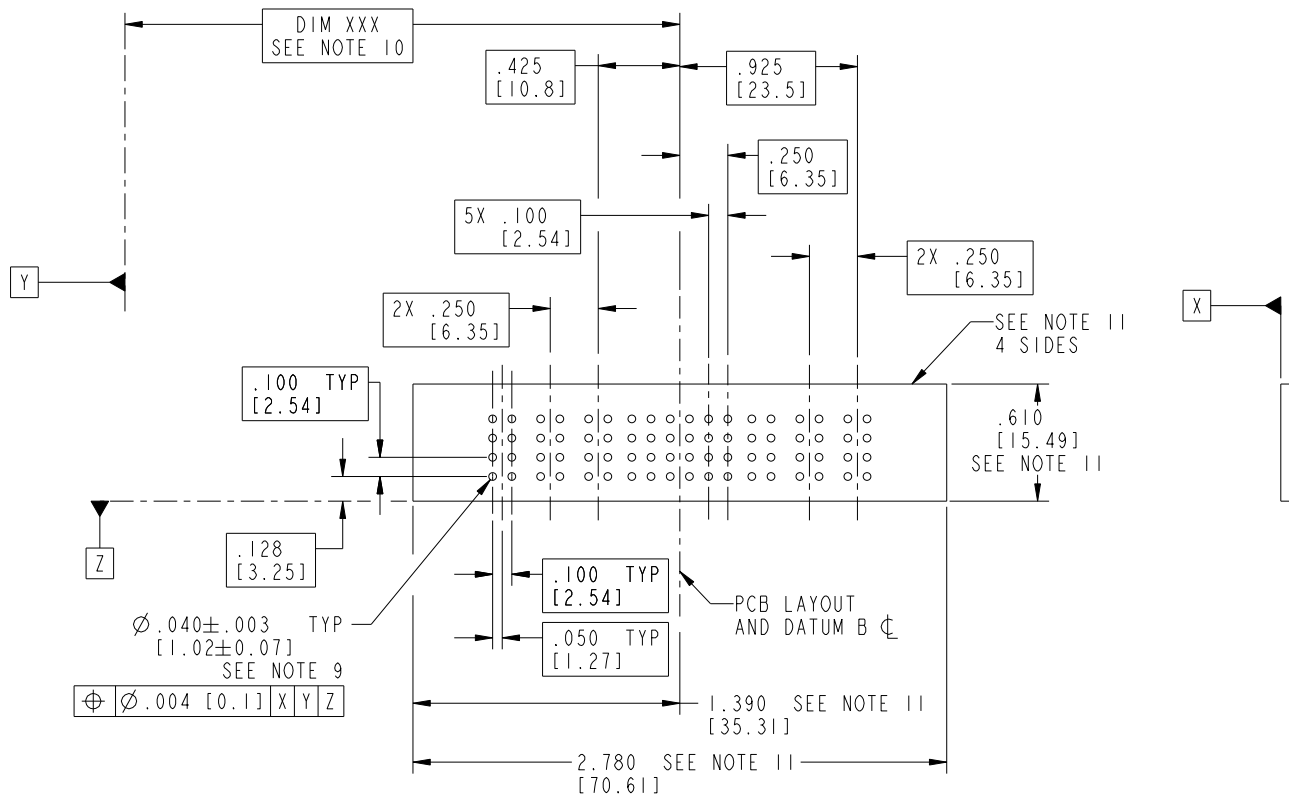
cage code 28526

Tous droits strictement réservés. Reproduction ou communication a des tiers interdite sous quelque forme que ce soit sans autorisation écrite du propriétaire. Propriété de c FCI. Droits de reproduction FCI.

All rights strictly reserved. Reproduction or issue to third parties in any form whatever is not permitted without written authority from the proprietor. Property of FCI. Copyright FCI.



PRODUCT NUMBER  
51750-008--  
NOTE: ③



RECOMMENDED PCB LAYOUT

mat'l code		SEE NOTE 2		tolerances unless otherwise specified		CUSTOMER		FCI	
ltr	ecn no.	dr	date	linear	.XX±.01/0.X±0.3	COPY		www.fciconnect.com	
E				angles	.XXY±.005/0.XX±0.13 .XXX±.0020/0.XXX±0.051	projection		title 3P + 24S + 3P	
				dr	0°±2°	INCH/MM		VERTICAL PRESSFIT RECEPT	
				engr	E. KORFF 01/03/01	scale		product family PwrBlade	
				chr	J. DODDS 01/03/01	1:1		code 213	
				appd	J. DODDS 01/03/01			size dwg no	
sheet index		revision sheet						A 51750-008	
								sheet 3 of 4	

cage code 22536

Pro/E

PDM: Rev: E

STATUS: Released

Printed: Dec 20, 2010

PRODUCT NUMBER  
 51750-008--  
 NOTE: ③

NOTES:

1. DIMENSIONS AND TOLERANCES ARE IN ACCORDANCE WITH ASME Y14.5M, 1994 UNLESS OTHERWISE SPECIFIED.

CONNECTOR NOTES:

② HOUSING MATERIAL: UL 94 V-0 GLASS FILLED HIGH-TEMP THERMOPLASTIC  
 POWER CONTACT MATERIAL: COPPER ALLOY  
 SIGNAL PIN MATERIAL: COPPER ALLOY

⚠ 3. SEE ITEM 7 & 8 IN PRINT 10064183 FOR PLATING SPEC OF 51750-008 AND 51750-008LF RESPECTIVELY.

④ MANUFACTURER'S NAME, P/N, AND DATE CODE TO APPEAR ON THIS SURFACE.

5. PRODUCT SPECIFICATION GS-12-149.  
APPLICATION SPECIFICATION BUS-20-067.

6. PACKAGED IN TRAYS.

PCB NOTES:

7. ALL HOLE DIAMETERS ARE FINISHED HOLE SIZE.

⑧ MOUNTING HOLES, WHERE APPLICABLE, ARE UNPLATED.

⑨  $\varnothing .0453 \pm .0010$  [1.151  $\pm$  0.025] DRILLED HOLES PLATED WITH  
 .0003 [0.008] MIN SnPb OVER .001 [0.03]  
 TO .003 [0.08] Cu PLATING TO ACHIEVE  
 $\varnothing .040 \pm .003$  [1.02  $\pm$  .07] HOLE.

⑩ "DIM XXX" TO BE DETERMINED BY THE CUSTOMER.

⑪ CONNECTOR KEEP-OUT ZONE.

12. ⚠ SYMBOL WILL BE NEXT TO ANY DIMENSION, VIEW, OR NOTE WHICH HAS BEEN MODIFIED WITH THE CURRENT DRAWING REVISION.

mat'l code		SEE NOTE 2		tolerances unless otherwise specified		CUSTOMER		FCJ	
lfr	ecn no.	dr	date	linear	.XX±.01/0.X±0.3	COPY		www.fciconnect.com	
E				projection	.XXX±.005/0.XX±0.13			title 3P + 24S + 3P	
				angles	.XXX±.0020/0.XXX±0.051			VERTICAL PRESSFIT RECEPT	
				dr	E. KORFF 01/03/01	scale		product family PwrBlade	
				engr	J. DODDS 01/03/01	1:1		code 213	
				chr	J. DODDS 01/03/01			size A	
				appd	J. DODDS 01/03/01			dwg no 51750-008	
sheet index		revision sheet						sheet 4 of 4	

Tous droits strictement réservés. Reproduction ou communication a des tiers interdite sous quelque forme que ce soit sans autorisation écrite du propriétaire. Propriété de c FCI. Droits de reproduction FCI.



All rights strictly reserved. Reproduction or issue to third parties in any form whatever is not permitted without written authority from the proprietor. Property of FCI. Copyright FCI.