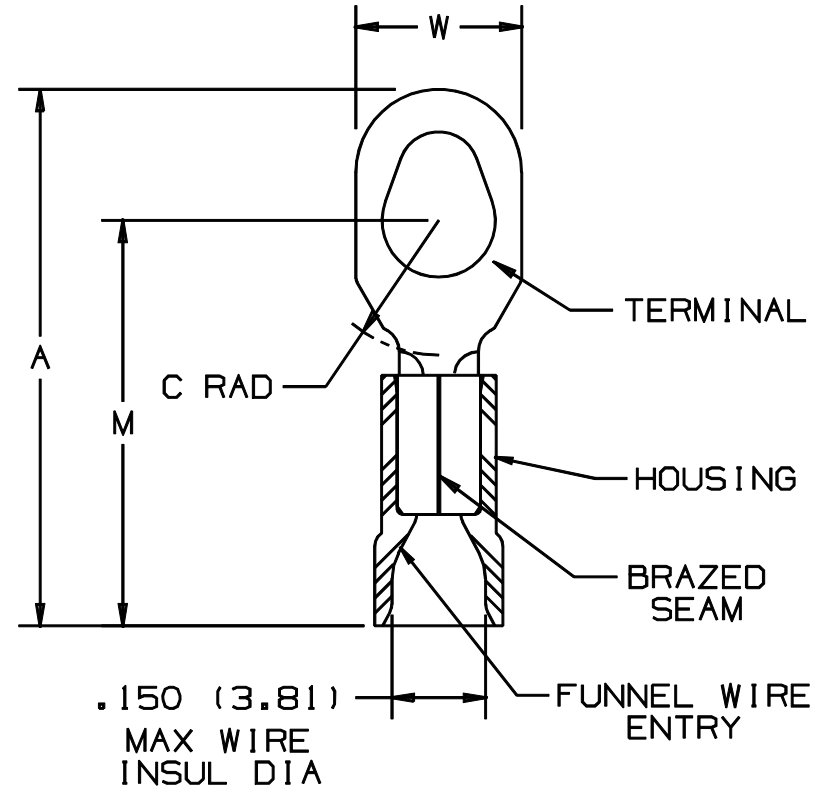


THIS COPY IS PROVIDED ON A RESTRICTED BASIS AND IS NOT TO BE USED IN ANY WAY DETRIMENTAL TO THE INTERESTS OF PANDUIT CORP.

PANDUIT PART NUMBER		STUD SIZE	DIMENSIONS in.			
PREFIX	PK		A $\pm .020$ (.51)	W $\pm .010$ (.25)	C $\pm .015$ (.38)	M $\pm .020$ (.51)
PV18-610R	-C -M	#6, #8, #10	1.00 (25.4)	.31 (7.9)	.25 (6.3)	.75 (19.0)



NOTES:

- UL LISTED AND CSA CERTIFIED FOR:
  - 600 V MAX VOLTAGE RATING
  - 221°F (105°C) MAX TEMP RATING
  - 167°F (75°C) MAX TEMP RATING WITH CT-100 TOOL
  - #22-18 AWG SOLID OR STRANDED, COPPER WIRE
- PACKAGE QUANTITY:
  - STD: C=100
  - BULK: M=1000
- MATERIAL:
  - STAMPING: .032 (.81) THK COPPER, TIN PLATED
  - HOUSING: RED VINYL
- WIRE STRIP LENGTH:  $5/16 \begin{smallmatrix} +1/32 \\ -0 \end{smallmatrix}$  (7.9  $\begin{smallmatrix} +.8 \\ -0 \end{smallmatrix}$ )
- DIMENSIONS IN BRACKETS ARE IN MILLIMETERS
- INSTALLATION TOOLS:
  - UL LISTED AND CSA CERTIFIED WITH: CT-100, CT-500\*, CT-550\*, CT-1551\*, CT-1550\*
  - PANDUIT APPROVED: CT-160, CT-260, CT-400  
\* APPROVED FOR EXPANDED WIRE RANGE #22-16 AWG



LISTED  
587H



CERTIFIED

A41486\_03

03	1/01	RM		FILESPEC WAS N41486AA_PCD_02			
02		JKD		ADDED CT-1551 & CT-1550 TOOL	07634		
01	2/92	BK	RLS	UPDATED AGENCY APPROVAL STATUS	00846	LCA	KRS
00	4/91	DL	DL	RELEASED ECN # 00460		LA	KS
REV	DATE	BY	CHK	DESCRIPTION	ECN	CUST	PM

**PANDUIT** CORP.

TINLEY PARK, ILLINOIS

#22-18 BARREL, VINYL INSULATED  
MULTI-STUD TERMINAL

DRAWN BY DRL CK'D FES SCALE NONE DRAWING NO. A41486