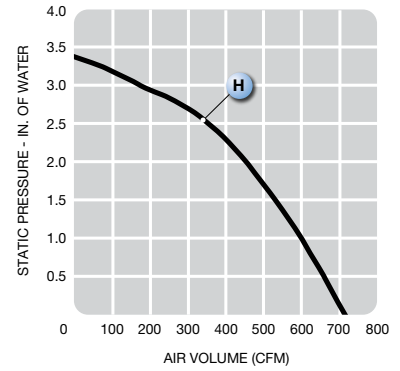
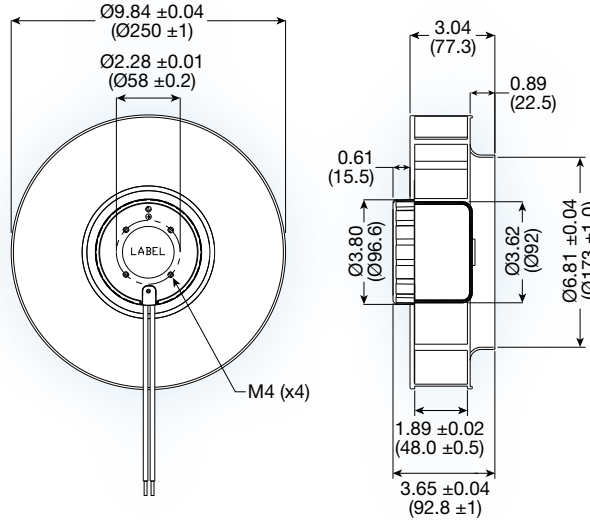


MSI2577 series



(250 dia. x 77.3 mm)

9.84 dia. x 3.04 inches

Features:	soft start, reverse polarity protection, auto-restart
Operating Voltage:	24 or 48 VDC
Construction:	aluminum die cast motor base; UL94V-0 plastic impeller
Bearing option:	ball bearing
Motor:	brushless DC

Model No.	Rated Voltage VDC	Current A		Speed RPM	Air Volume		Max. Static Pressure (H ₂ O)		Sound Noise dbA	Weight g
		24	48		M ³ /Min.	CFM	MM	INCH		
MSI2577H	24/48	7.20	3.90	2,800	20.3	716	86	3.37	76	2000

