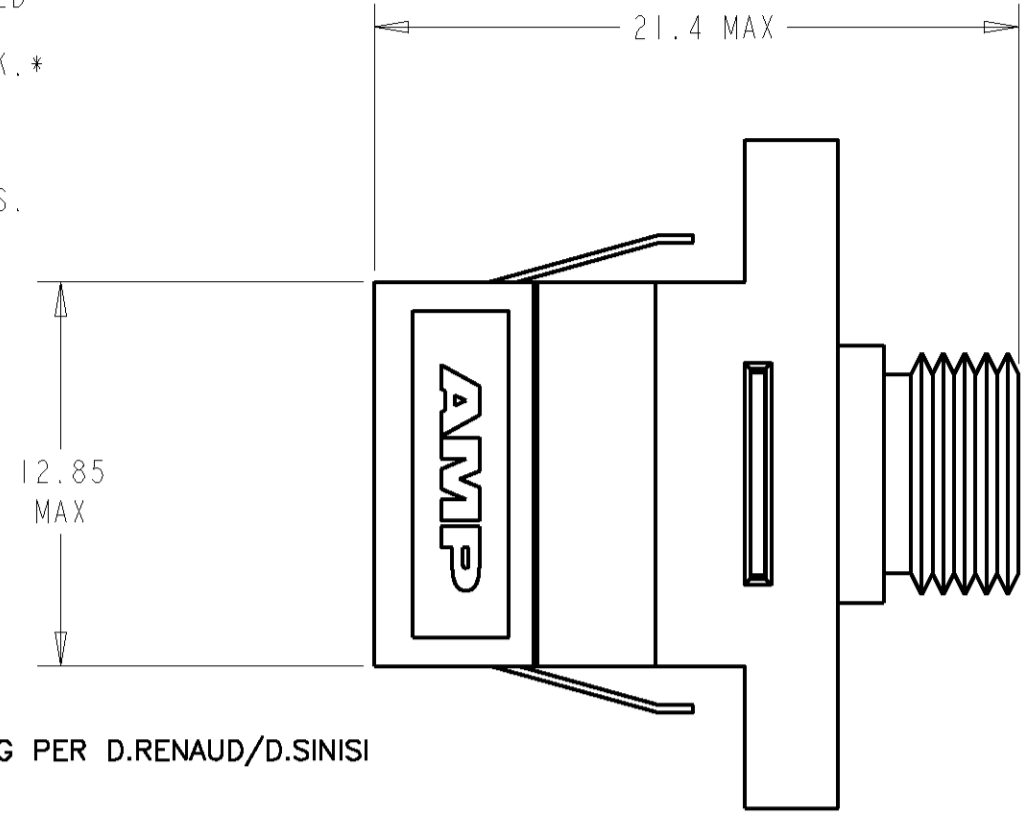


THIS DRAWING IS UNPUBLISHED. RELEASED FOR PUBLICATION  
 © COPYRIGHT 19 BY TYCO ELECTRONICS CORPORATION. ALL RIGHTS RESERVED.

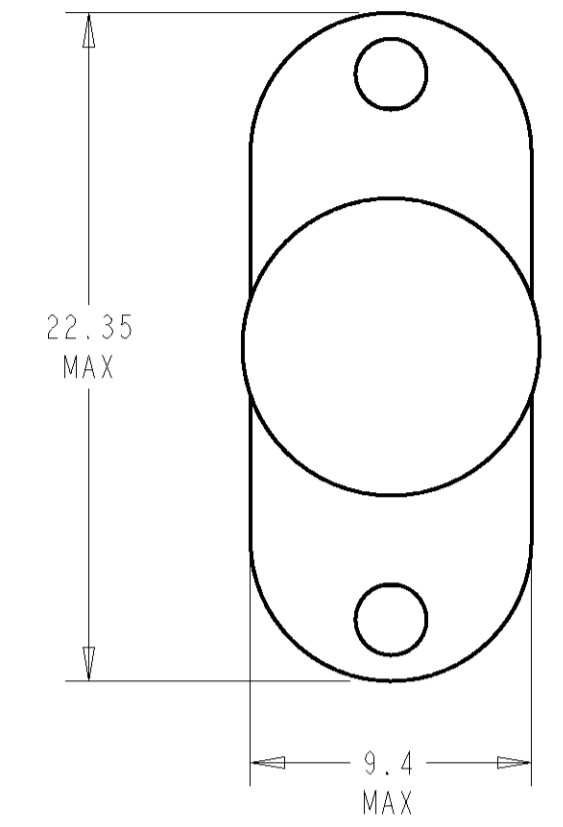
LOC	DIST	REVISIONS			
P	LTR	DESCRIPTION	DATE	DWN	APVD
CE	00	A	RELEASE TO ACTIVE	07JUN2006	BB SB
		A1	REVISED PER ECO-10-000445	11JAN10	KK AEG

1 MATERIAL:  
 HOUSING: DIECAST ZINC, NICKEL PLATED  
 ALIGNMENT SLEEVE: SEE DASH NO'S  
 PROTECTIVE COVER: TPE, COLOR: BLACK.\*  
 RETENTION CLIP: STAINLESS STEEL  
 PROTECTIVE COVER: VINYL  
 RETAINER: PEI-GF30, COLOR: BLACK.\*  
 \*UL94 V-0 RATED AT QUALIFYING THICKNESS.

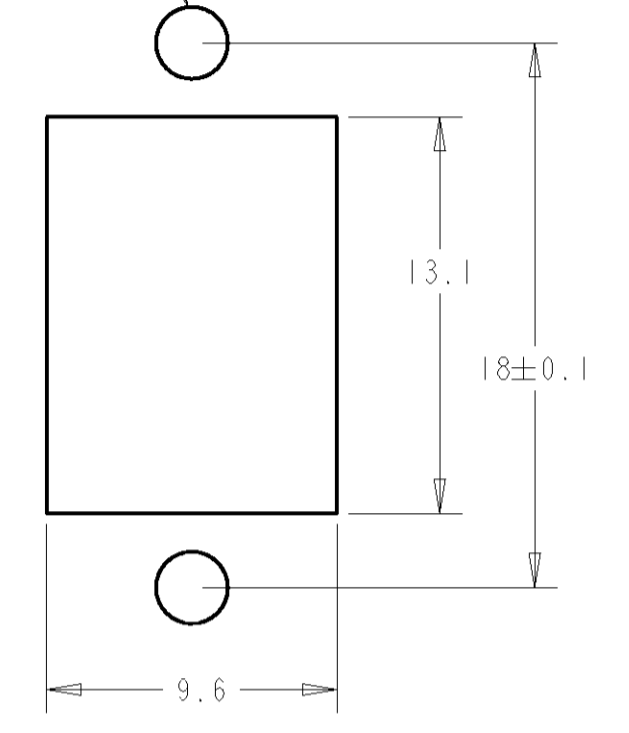
2 BULK PACKAGE.



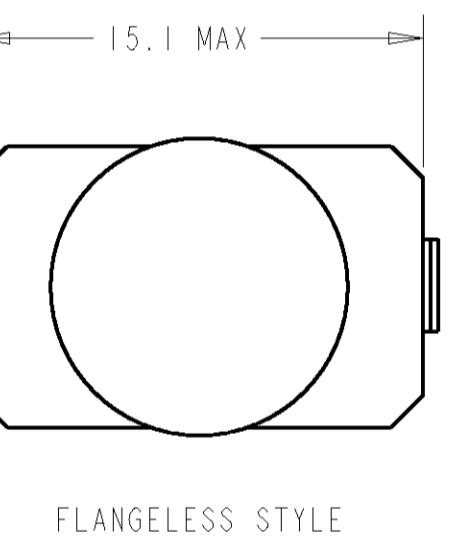
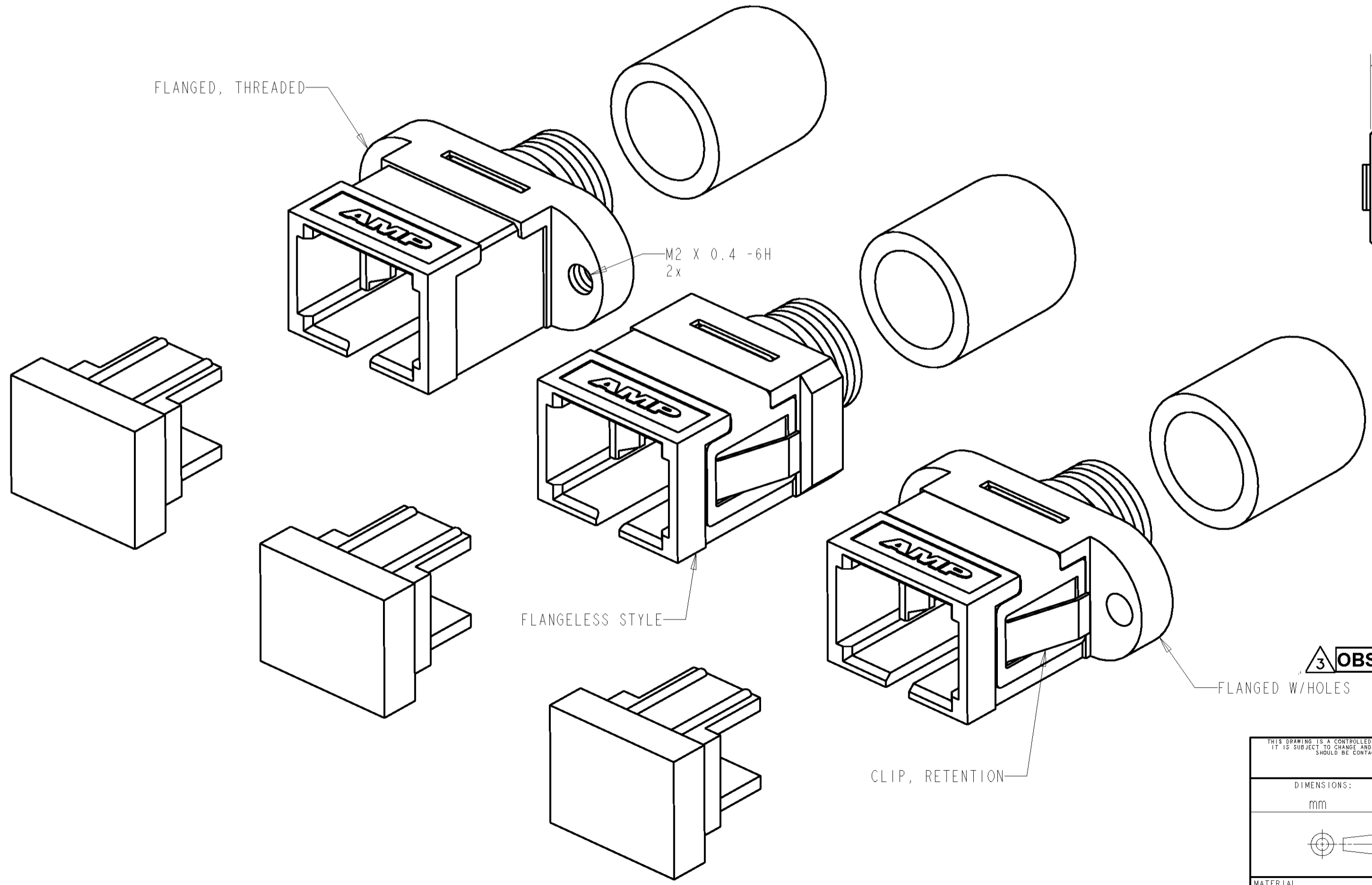
3 OBSOLETE PARTS: OBSOLETE CIS STREAMLINING PER D.RENAUD/D.SINISI



2-56UNC-2B, OR M2 X 0.4 -6H  
 2x, WHEN REQUIRED



SUGGESTED PANEL CUTOUT  
 MAX PANEL THICKNESS 1.7



FLANGELESS STYLE

2	CERAMIC	THREADED FLANGE, NO CLIP	1-6278349-2
2	CERAMIC	FLANGED W/HOLES, NO CLIP	1-6278349-1
2	CERAMIC	FLANGELESS, NO CLIP	1-6278349-0
2	METAL	FLANGED W/HOLES, NO CLIP	6278349-9
2	CERAMIC	FLANGELESS	6278349-8
2	CERAMIC	FLANGELESS	6278349-7
2	METAL	FLANGELESS	6278349-6
2	METAL	FLANGELESS	6278349-5
2	CERAMIC	FLANGED W/HOLES	6278349-4
2	CERAMIC	FLANGED W/HOLES	6278349-3
2	METAL	FLANGED W/HOLES	6278349-2
2	METAL	FLANGED W/HOLES	6278349-1
		ALIGNMENT SLEEVE	
		DESCRIPTION	PART NO

3 OBSOLETE

THIS DRAWING IS A CONTROLLED DOCUMENT FOR TYCO ELECTRONICS CORPORATION. IT IS SUBJECT TO CHANGE AND THE CONTROLLING ENGINEERING ORGANIZATION SHOULD BE CONTACTED FOR THE LATEST REVISION.		DWN B. BRIGGS 17MAY2005	AMP Incorporated Harrisburg, PA 17105-3608	
DIMENSIONS: mm		CHK S. MILLER 17MAY2005	NAME ASSEMBLY, RECEPTACLE, SC/FC SIMPLEX, DIECAST HOUSING	
TOLERANCES UNLESS OTHERWISE SPECIFIED: 0 PLC ± 1 PLC ±0.1 2 PLC ±0.05 3 PLC ± 4 PLC ± ANGLES ± FINISH -		APVD S. RUCHTER 17MAY2005	RESTRICTED TO	
MATERIAL		PRODUCT SPEC	SIZE A2	CAGE CODE 00779
		APPLICATION SPEC	DRAWING NO 6278349	REV A1
		WEIGHT	SCALE 4.0	SHEET OF
		CUSTOMER DRAWING		