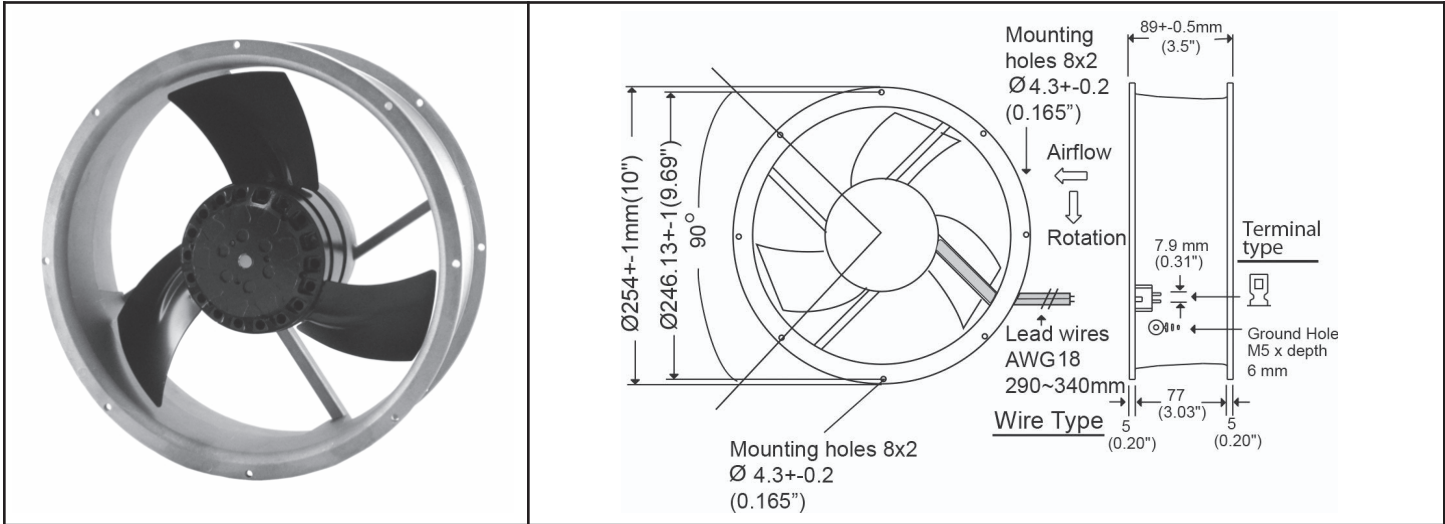


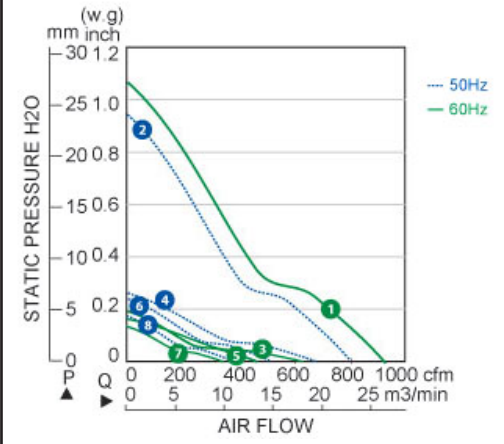
OA2543 Series - All Metal



AC Fan - 115V, 230V 254 x 89mm (10.0" x 3.5")



Frame	Diecast Aluminum	Operating Temperature Ball Bearing -30C ~ +80C (non-condensing) Storage Temp -40C ~ +100C
Impeller	Metal Alloy	
Connection	2x Lead Wires 18 AWG or terminals	Life Expectancy Ball Bearing 50,000 hours (L10 at 55C) Environmental Protection IP56
Motor	AC Capacitor Induction, thermally protected	
Bearing System	Dual ball bearing	Weight: ~ 4.7 lbs
Insulation Resistance	>100M ohm between lead-wire and frame (500VDC)	
Dielectric Strength	1 min at 1500 VAC, 50/60Hz	



Model Number	Speed (RPM)	Airflow (CFM)	Noise (dB)	Volts AC	Voltage Range	Watts	Max. Static Pressure ("H ₂ O)	Curves
OA2543AN-11-1 * 1856	2800 3300	800 930	67	115	100~120	95 105	0.96 1.07	2 (50Hz) 1 (60Hz)
OA2543AN-11-2 * 1856	2300 2250	670 615	56	115	100~120	80 95	0.25 0.20	4 (50Hz) 3 (60Hz)
OA2543AN-11-3 * 1856	1500 1700	400 450	49	115	100~120	32 40	0.22 0.28	6 (50Hz) 5 (60Hz)
OA2543AN-22-1 * 1856	2800 3300	800 930	67	230	200~240	95 105	0.96 1.07	2 (50Hz) 1 (60Hz)
OA2543AN-22-2 * 1856	2300 2250	670 615	53	230	200~240	80 95	0.25 0.20	4 (50Hz) 3 (60Hz)
OA2543AN-22-3 * 1856	1500 1700	400 450	48	230	200~240	32 40	0.22 0.28	6 (50Hz) 5 (60Hz)

* Indicate "TB" for terminal type or "WB" for lead wires