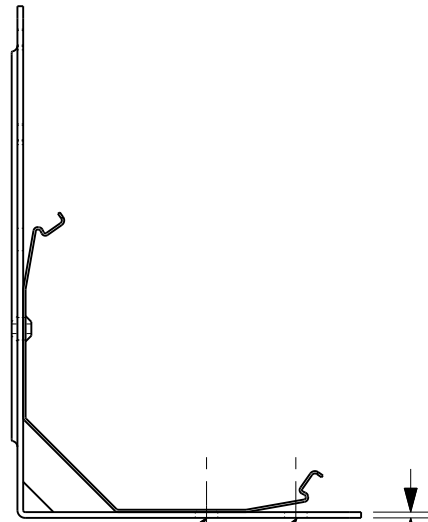
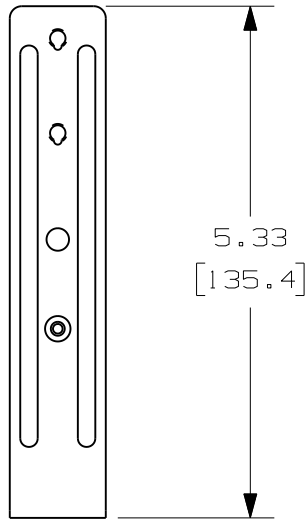


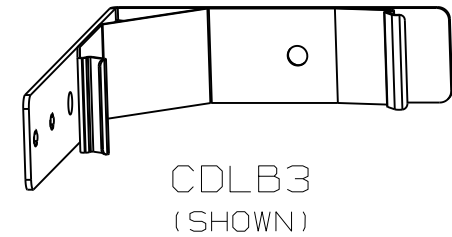
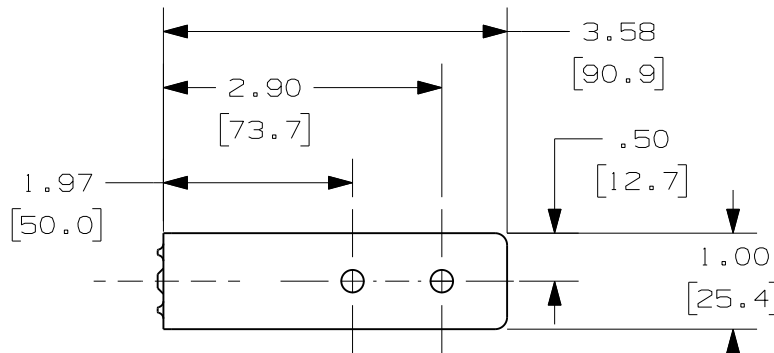
THIS COPY IS PROVIDED ON A RESTRICTED BASIS AND IS NOT TO BE USED IN ANY WAY DETRIMENTAL TO THE INTERESTS OF PANDUIT CORP.



ASM BRACKET PART NO.	USED WITH	PACKAGE QTY
CDLB3 (SHOWN)	CWD3**6	16
CDLB4	CWD4**6	16

NOTE:
1. DIMENSIONS ARE IN INCHES (MILLIMETERS).

3" CORNER DUCT BACKPLANE MOUNTING HOLE LOCATION
4" CORNER DUCT BACKPLANE MOUNTING HOLE LOCATION



CAD FILENAME/LAYERS D39257AC_DC/01A

PANDUIT CORP. TINLEY PARK, ILLINOIS
CORNER DUCT "L" BRACKET
RIVETED ASSEMBLY
CUSTOMER DRAWING

UNLESS OTHERWISE SPECIFIED,
DIMENSIONAL TOLERANCES ARE:
(.X) ± .2 (5) (.XXX) ± .010 (.3)
(.XX) ± .02 (.5) ANGLES ± 5°

UNLESS OTHERWISE SPECIFIED,
ALL DIMENSIONS ARE GIVEN
IN INCHES, THIRD ANGLE PROJECTION.

DRAWN BY JCST
DATE 10-15-07
CHK'D HIW

MAT'L:
LOW CARBON STEEL
&
SPRING STEEL

SCALE .5X
DRAWING NO. 39257-07
DWG SIZE A

REV	DATE	BY	CHK	DESCRIPTION	ECN	R	CUST	SUP
R	10-15-07	JCST	HIW	DRAWING RELEASED TO PRODUCTION	39257-07	HIW	HIW	