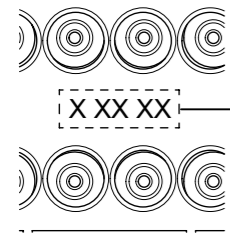
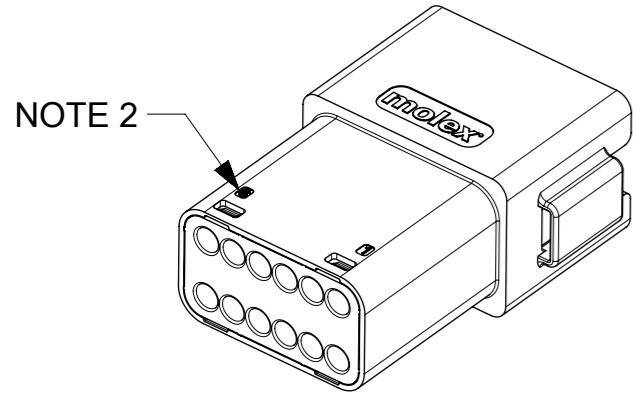


NOTES
 1. SEE SHEETS 2 - 9 FOR UNSPECIFIED NOTES, DIMENSIONS & PART NUMBERS

THIS DRAWING CONTAINS INFORMATION THAT IS PROPRIETARY TO MOLEX ELECTRONIC TECHNOLOGIES, LLC AND SHOULD NOT BE USED WITHOUT WRITTEN PERMISSION												
QUALITY SYMBOLS ▽A = 0 ▽E = 0 ▽F = 0 ▽ = 0 ▽C = 0 ⊗ = 0 ■ = 0 ▽ = 0	EC NO: 110489 DRWN: JFLETCHER CHK'D: FDUGGAN APPR: JDWALLACE	2016/11/16 2016/11/18 2017/01/03	GENERAL TOLERANCES (UNLESS SPECIFIED)		DIMENSION UNITS	SCALE						
			ANGULAR TOL ± 2.0 °		MM	1.25:1						
			4 PLACES ±	DRWN BY		DATE		12CCT ML-XT CV CONNECTOR SYSTEM				
			3 PLACES ±	JFLETCHER		2015/12/16						
			2 PLACES ± 0.1	CHK'D BY		DATE		PRODUCT CUSTOMER DRAWING				
1 PLACE ± 0.2	FDUGGAN		2016/01/08									
0 PLACES ±	APPR BY		DATE		SERIES	MATERIAL NUMBER	CUSTOMER					
DRAFT WHERE APPLICABLE MUST REMAIN WITHIN DIMENSIONS	JDWALLACE		2016/01/14		93443	SEE NOTES	GENERAL MARKET					
	DRAWING SIZE		THIRD ANGLE PROJECTION		DOCUMENT NUMBER		DOC TYPE	DOC PART	SHEET NUMBER			
	A3				934430060		PSD	000	1 OF 9			

12CCT RECEPTACLE CONNECTOR



DETAIL A
SCALE 2:1

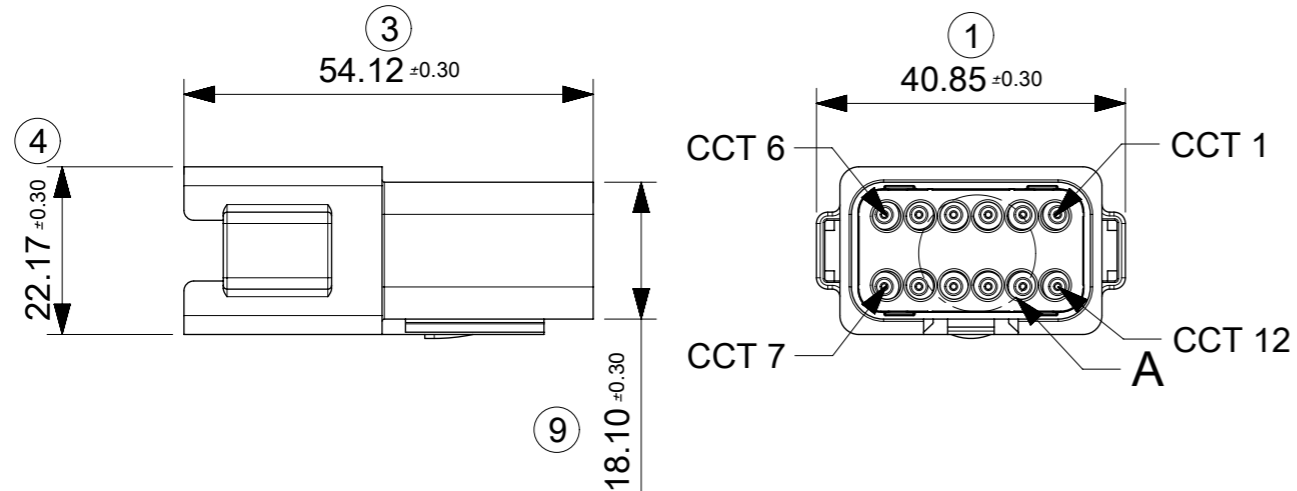
DATE CODE: X XX XX
X — DAY: 1- 7

X — WEEK: 01 - 52

X — YEAR: 00 - 99

— MACHINE NO. 1

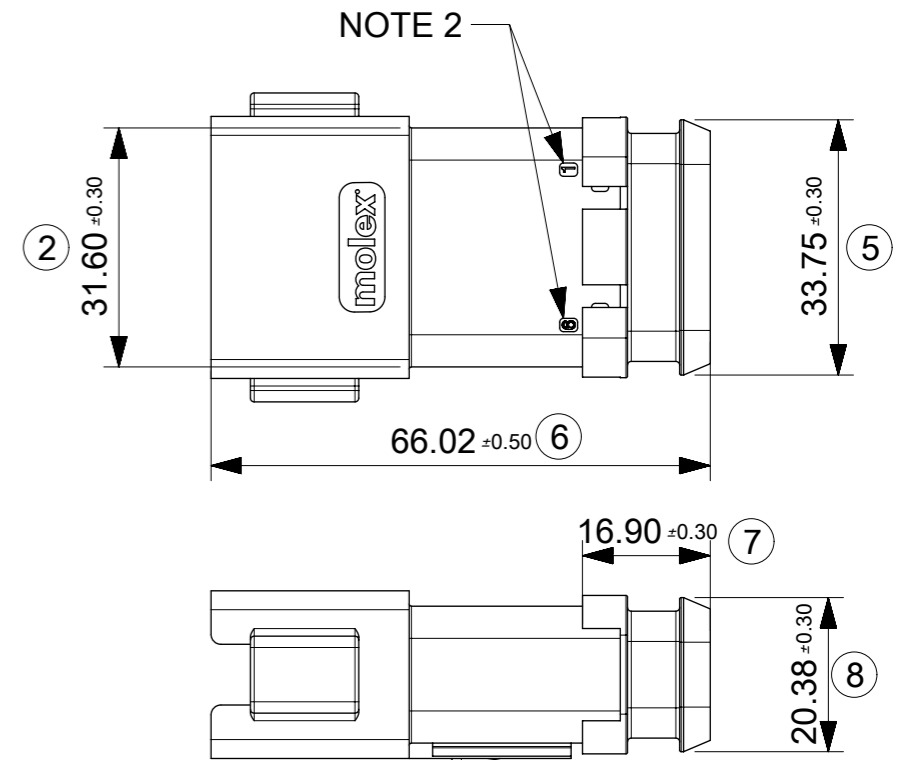
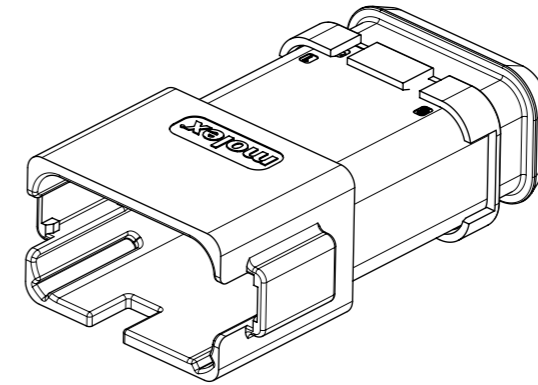
EXAMPLE: 11315 = DAY 1, WEEK 13, YEAR 15
i.e. 23rd OF MARCH 2015



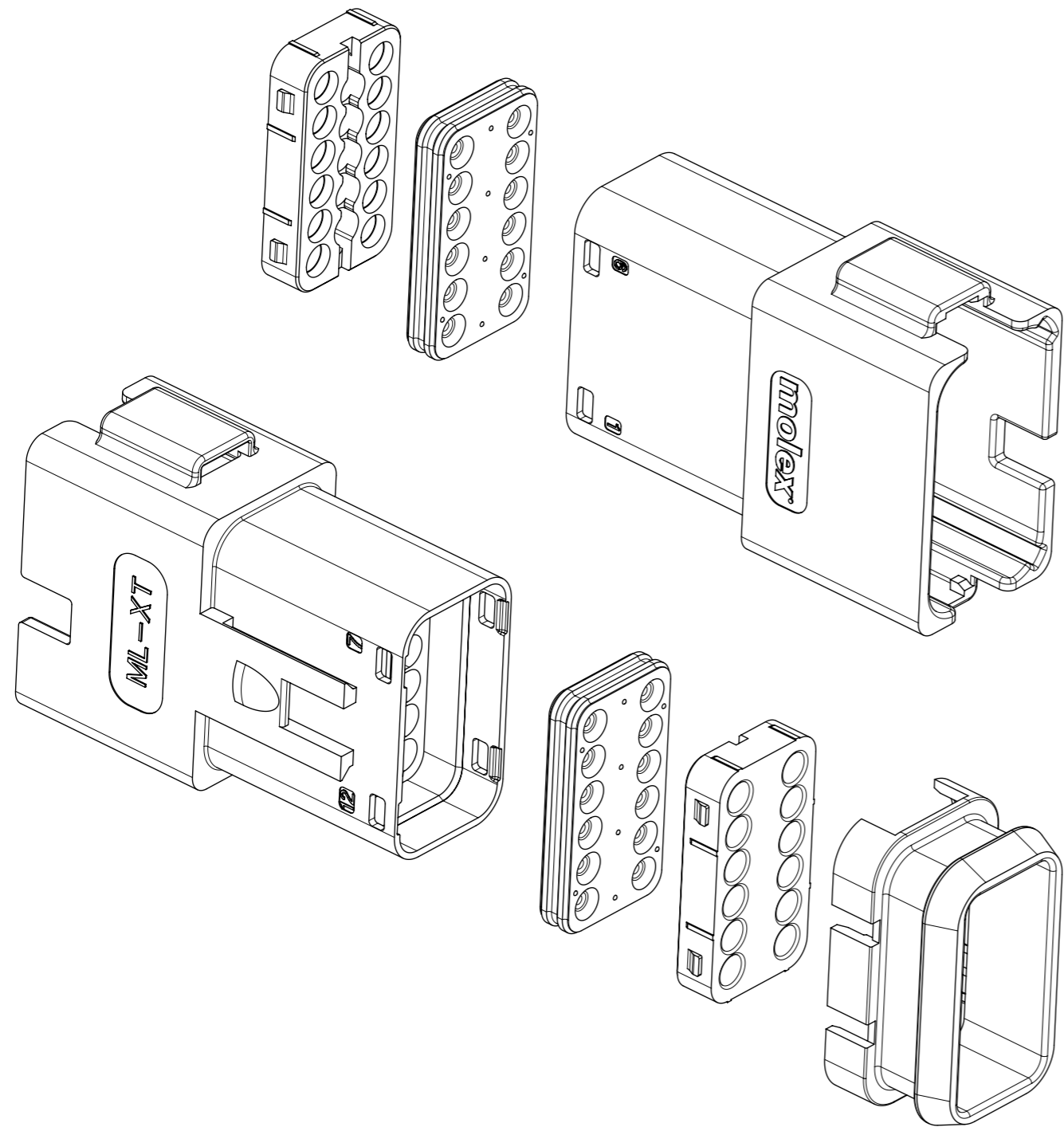
NOTES

- MATERIAL
HOUSING: NYLON 30% GF
BACK SEAL: HIGH CONSISTENCY RUBBER
 - CIRCUIT IDENTIFICATION
 - JACKET RANGE LARGE = \varnothing 2.7MM TO 3.6MM (SEAL COLOUR: LIGHT BLUE)
JACKET RANGE SMALL = \varnothing 1.4MM TO 2.7MM (SEAL COLOUR: BURNT ORANGE)
 - SEE SHEET 3 FOR FINAL PART NUMBER DESIGNATION
 - SEE 934430010 PS P FOR PRODUCT SPECIFICATION
 - SEE 934430002 PS K OR 934430010 PS K FOR PACKAGING SPECIFICATION
- INSPECTION NUMBERS 1-50 RESERVED FOR SHEET 2
LAST INSPECTION NUMBER: 9

12CCT RECEPTACLE CONNECTOR WITH HEATSHRINK HOUSING ULTRASONICALLY WELDED IN PLACE



QUALITY SYMBOLS		THIS DRAWING CONTAINS INFORMATION THAT IS PROPRIETARY TO MOLEX ELECTRONIC TECHNOLOGIES, LLC AND SHOULD NOT BE USED WITHOUT WRITTEN PERMISSION					
▽A	= 0	EC NO: 110489 DRWN: JFLETCHER CHK'D: FDUGGAN APPR: JDWALLACE 2016/11/16 2016/11/18 2017/01/03	GENERAL TOLERANCES (UNLESS SPECIFIED)		DIMENSION UNITS	SCALE	
▽E	= 0		ANGULAR TOL ± 2.0 °		MM	1:1	
▽F	= 2		4 PLACES ±	DRWN BY	DATE		
▽	= 0		3 PLACES ±	JFLETCHER	2015/12/16		
▽C	= 0		2 PLACES ± 0.1	CHK'D BY	DATE		
▽	= 0		1 PLACE ± 0.2	FDUGGAN	2016/01/08		
▽	= 0		0 PLACES ±	APPR BY	DATE		
▽	= 0		DRAFT WHERE APPLICABLE MUST REMAIN WITHIN DIMENSIONS	JDWALLACE	2016/01/14		
▽	= 0			DRAWING SIZE	THIRD ANGLE PROJECTION		
▽	= 0			A3			
RELEASE STATUS ER RELEASE DATE 18.11.2016 14:44:06		EC NO: 110489 DRWN: JFLETCHER CHK'D: FDUGGAN APPR: JDWALLACE 2016/11/16 2016/11/18 2017/01/03		DIMENSION UNITS: MM SCALE: 1:1			
		SEE LONG TEXT		DRWN BY: JFLETCHER DATE: 2015/12/16		12CCT ML-XT CV CONNECTOR SYSTEM	
		EC NO: 110489 DRWN: JFLETCHER CHK'D: FDUGGAN APPR: JDWALLACE 2016/11/16 2016/11/18 2017/01/03		CHK'D BY: FDUGGAN DATE: 2016/01/08		PRODUCT CUSTOMER DRAWING	
		EC NO: 110489 DRWN: JFLETCHER CHK'D: FDUGGAN APPR: JDWALLACE 2016/11/16 2016/11/18 2017/01/03		APPR BY: JDWALLACE DATE: 2016/01/14		SERIES: 93443 MATERIAL NUMBER: SEE NOTES CUSTOMER: GENERAL MARKET	
		EC NO: 110489 DRWN: JFLETCHER CHK'D: FDUGGAN APPR: JDWALLACE 2016/11/16 2016/11/18 2017/01/03		DRAWING SIZE: A3 THIRD ANGLE PROJECTION		DOCUMENT NUMBER: 934430060 DOC TYPE: PSD DOC PART: 000 SHEET NUMBER: 2 OF 9	



12CCT RECEPTACLE CONNECTOR

SERIES NO. 93444

CIRCUIT SIZE
6 = 12CCT

ASSEMBLY OPTIONS

- 1 = RECEPTACLE ASSEMBLY FOR WIRE JACKET RANGE \varnothing 1.4mm - 2.7mm
- 2 = RECEPTACLE ASSEMBLY FOR WIRE JACKET RANGE \varnothing 2.7mm - 3.6mm
- 5 = RECEPTACLE ASSEMBLY & HEATSHRINK FOR WIRE JACKET RANGE \varnothing 1.4mm - 2.7mm
- 6 = RECEPTACLE ASSEMBLY & HEATSHRINK FOR WIRE JACKET RANGE \varnothing 2.7mm - 3.6mm

KEYING / COLOUR OPTION

- 12 = KEYING OPTION A (GREY)
- 21 = KEYING OPTION B (BLACK)
- 33 = KEYING OPTION C (GREEN)
- 47 = KEYING OPTION D (BROWN)

EXAMPLE:

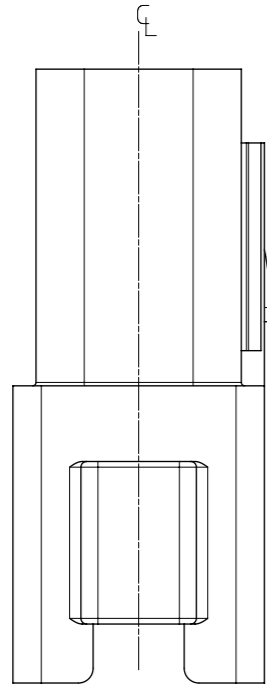
12CCT RECEPT & HEATSHRINK FOR WIRE JACKET RANGE \varnothing 1.4mm-2.7mm, KEYING OPTION A (GREY): 93444-6512

NOTES

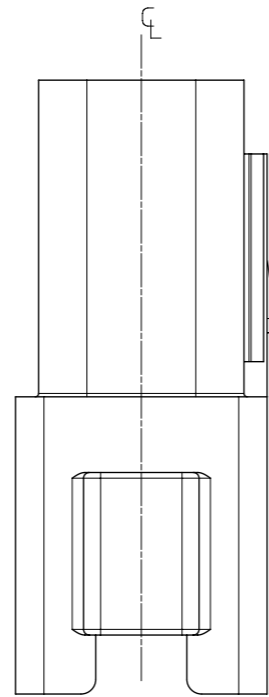
1. SEE SHEET 2 FOR UNSPECIFIED NOTES AND DIMENSIONS
2. BACK COVER COLOUR: BLACK
3. HEATSHRINK HOUSING COLOUR: BLACK

THIS DRAWING CONTAINS INFORMATION THAT IS PROPRIETARY TO MOLEX ELECTRONIC TECHNOLOGIES, LLC AND SHOULD NOT BE USED WITHOUT WRITTEN PERMISSION											
QUALITY SYMBOLS	A = 0 E = 0 EB = 0 ▼ = 0 C = 0 ⊗ = 0 ■ = 0 ▽ = 0	EC NO: 110489 DRWN: JFLETCHER CHK'D: FDUGGAN APPR: JDWALLACE	2016/11/16 2016/11/18 2017/01/03	GENERAL TOLERANCES (UNLESS SPECIFIED)		DIMENSION UNITS	SCALE	<p>12CCT ML-XT CV CONNECTOR SYSTEM</p>			
				ANGULAR TOL ± 2.0 °		MM	1.5:1				
SEE LONG TEXT				4 PLACES ±	3 PLACES ±	DRWN BY	DATE	PRODUCT CUSTOMER DRAWING			
				2 PLACES ± 0.1	1 PLACE ± 0.2	JFLETCHER	2015/12/16				
				0 PLACES ±	DRAFT WHERE APPLICABLE MUST REMAIN WITHIN DIMENSIONS	CHK'D BY	DATE	SERIES: 93443 MATERIAL NUMBER: SEE NOTES CUSTOMER: GENERAL MARKET			
						FDUGGAN	2016/01/08				
						APPR BY	DATE	DOCUMENT NUMBER: 934430060 DOC TYPE: PSD DOC PART: 000 SHEET NUMBER: 3 OF 9			
						JDWALLACE	2016/01/14				
						DRAWING SIZE	THIRD ANGLE PROJECTION				
						A3					

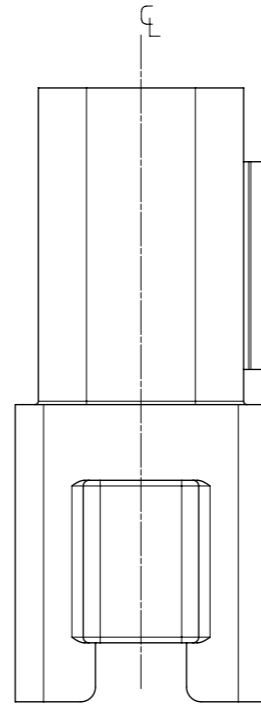
KEYING OPTION A



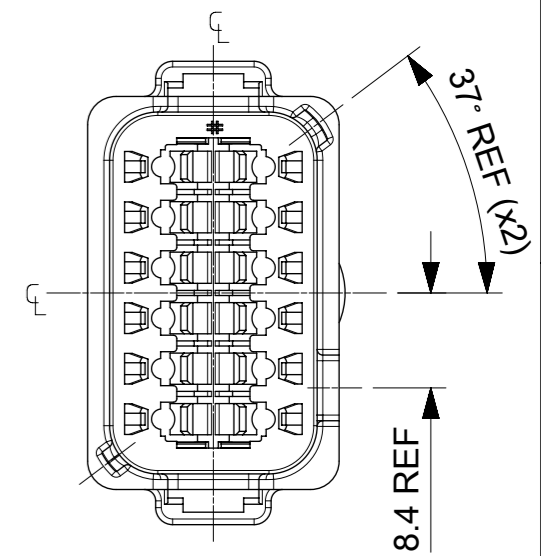
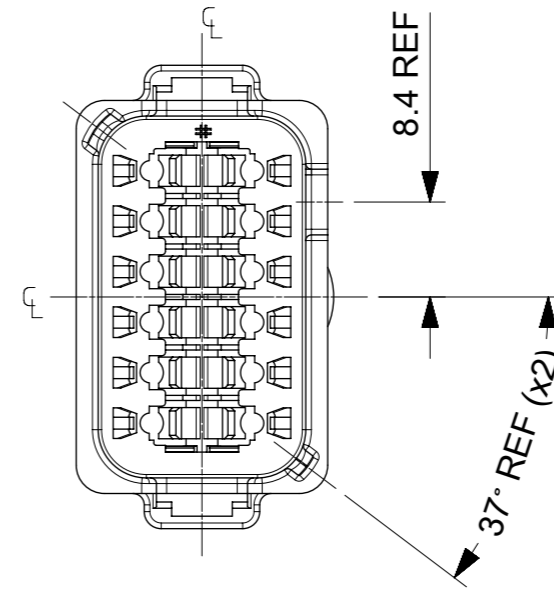
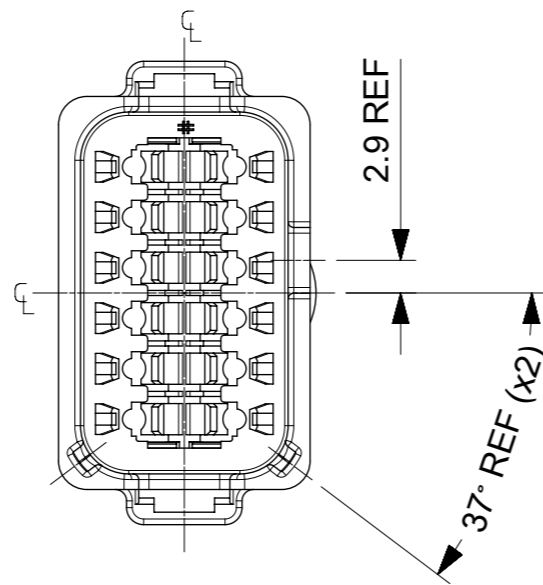
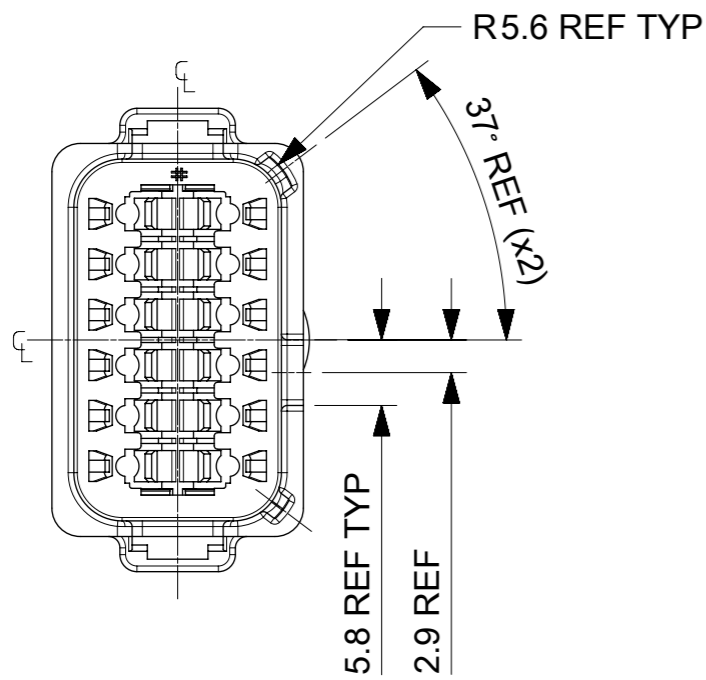
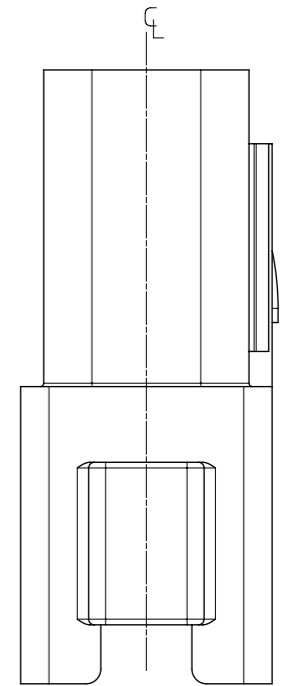
KEYING OPTION B



KEYING OPTION C

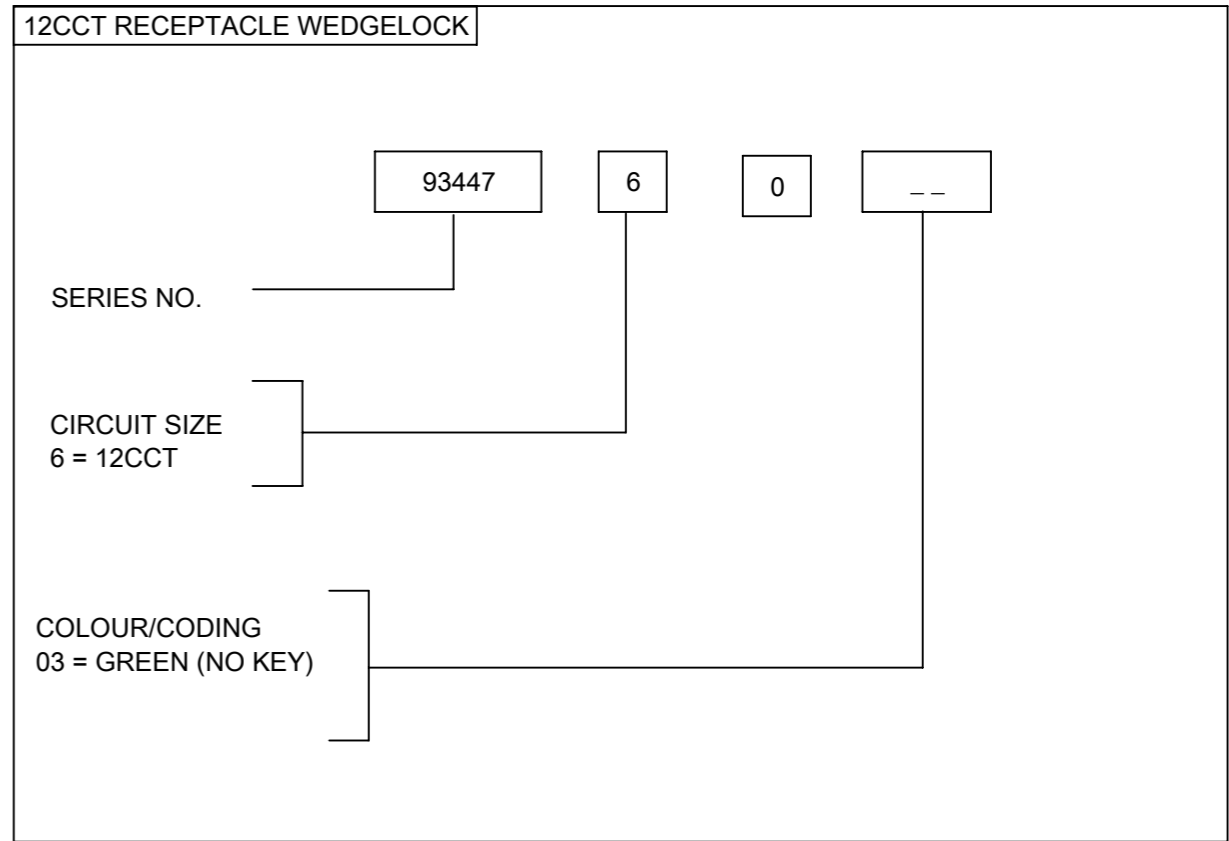
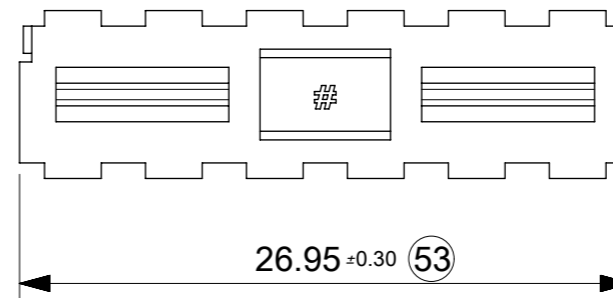
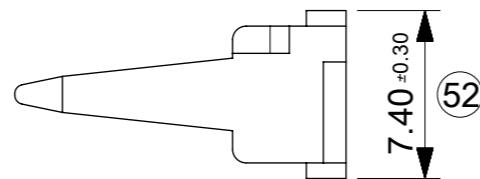
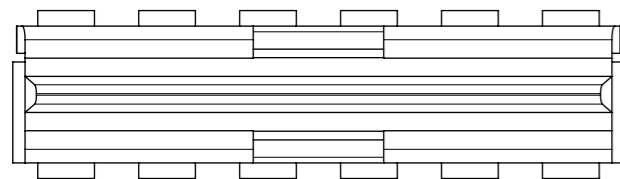
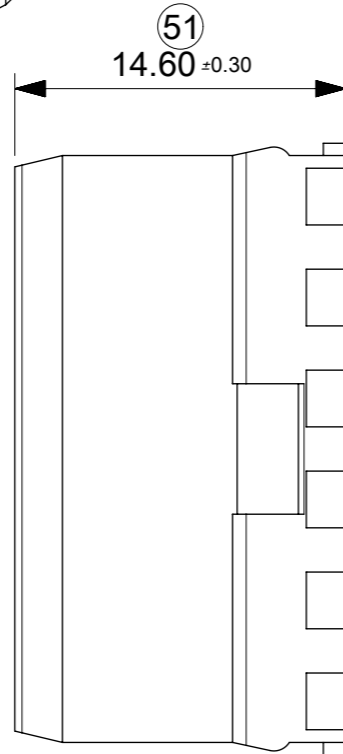
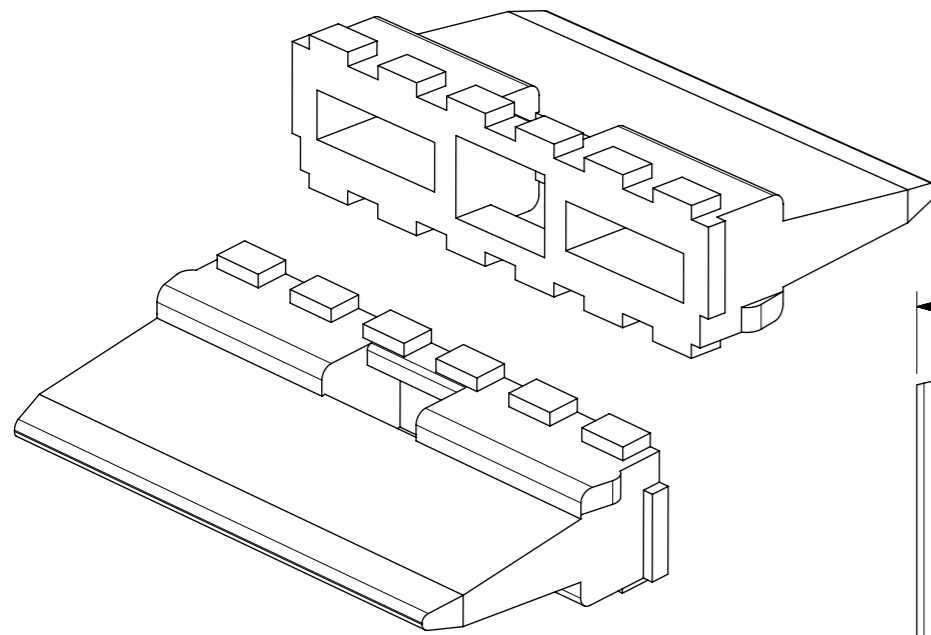


KEYING OPTION D



NOTES
1. SEE SHEETS 2 & 3 FOR UNSPECIFIED NOTES AND DIMENSIONS

THIS DRAWING CONTAINS INFORMATION THAT IS PROPRIETARY TO MOLEX ELECTRONIC TECHNOLOGIES, LLC AND SHOULD NOT BE USED WITHOUT WRITTEN PERMISSION																			
QUALITY SYMBOLS		SEE LONG TEXT		EC NO: 110489		DRWN: JFLETCHER		CHK'D: FDUGGAN		REV APPR: JDWALLACE									
▽A	= 0	▽E	= 0	▽F	= 0	▽G	= 0	▽H	= 0	▽I	= 0								
▽J	= 0	▽K	= 0	▽L	= 0	▽M	= 0	▽N	= 0	▽O	= 0								
▽P	= 0	▽Q	= 0	▽R	= 0	▽S	= 0	▽T	= 0	▽U	= 0								
▽V	= 0	▽W	= 0	▽X	= 0	▽Y	= 0	▽Z	= 0	▽AA	= 0								
GENERAL TOLERANCES (UNLESS SPECIFIED)				DIMENSION UNITS		SCALE													
ANGULAR TOL ± 2.0 °				MM		1.5:1													
4 PLACES ±				DRWN BY		DATE		12CCT ML-XT CV CONNECTOR SYSTEM											
3 PLACES ±				JFLETCHER		2015/12/16													
2 PLACES ± 0.1				CHK'D BY		DATE		PRODUCT CUSTOMER DRAWING											
1 PLACE ± 0.2				FDUGGAN		2016/01/08													
0 PLACES ±				APPR BY		DATE		<table border="1"> <tr> <td>SERIES</td> <td>MATERIAL NUMBER</td> <td>CUSTOMER</td> </tr> <tr> <td>93443</td> <td>SEE NOTES</td> <td>GENERAL MARKET</td> </tr> </table>				SERIES	MATERIAL NUMBER	CUSTOMER	93443	SEE NOTES	GENERAL MARKET		
SERIES	MATERIAL NUMBER	CUSTOMER																	
93443	SEE NOTES	GENERAL MARKET																	
DRAFT WHERE APPLICABLE MUST REMAIN WITHIN DIMENSIONS				DRAWING SIZE		THIRD ANGLE PROJECTION		<table border="1"> <tr> <td>DOCUMENT NUMBER</td> <td>DOC TYPE</td> <td>DOC PART</td> <td>SHEET NUMBER</td> </tr> <tr> <td>934430060</td> <td>PSD</td> <td>000</td> <td>4 OF 9</td> </tr> </table>				DOCUMENT NUMBER	DOC TYPE	DOC PART	SHEET NUMBER	934430060	PSD	000	4 OF 9
DOCUMENT NUMBER	DOC TYPE	DOC PART	SHEET NUMBER																
934430060	PSD	000	4 OF 9																
				A3															

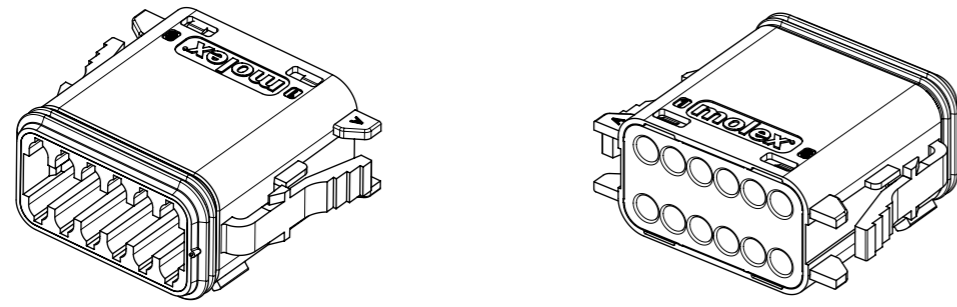


NOTES

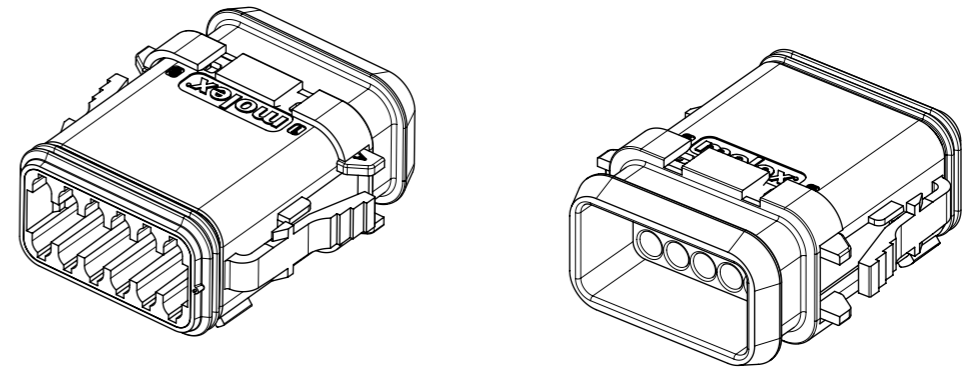
- MATERIAL
HOUSING: NYLON 30% GLASS FILLED
- INSPECTION NUMBERS 51-100
RESERVED FOR SHEET 5
LAST INSPECTION NUMBER 53

THIS DRAWING CONTAINS INFORMATION THAT IS PROPRIETARY TO MOLEX ELECTRONIC TECHNOLOGIES, LLC AND SHOULD NOT BE USED WITHOUT WRITTEN PERMISSION											
QUALITY SYMBOLS		2016/11/16 2016/11/18 2017/01/03		GENERAL TOLERANCES (UNLESS SPECIFIED)		DIMENSION UNITS		SCALE			
▽A	= 0	SEE LONG TEXT	EC NO: 110489 DRWN: JFLETCHER CHK'D: FDUGGAN APPR: JDWALLACE	ANGULAR TOL ± 2.0 °		MM		3:1			
▽E	= 0			4 PLACES	±	DRWN BY		DATE			
▽F	= 0			3 PLACES	±	JFLETCHER		2015/12/16			
▽	= 0			2 PLACES	± 0.1	CHK'D BY		DATE			
▽C	= 0			1 PLACE	± 0.2	FDUGGAN		2016/01/08			
▽	= 0			0 PLACES	±	APPR BY		DATE			
▽	= 0	DRAFT WHERE APPLICABLE MUST REMAIN WITHIN DIMENSIONS		JDWALLACE		2016/01/14		PRODUCT CUSTOMER DRAWING			
▽	= 0	A1		A3		THIRD ANGLE PROJECTION		DRAWING SIZE		SERIES	
								93443		MATERIAL NUMBER	
								A3		SEE NOTES	
								934430060		CUSTOMER	
								PSD		GENERAL MARKET	
								000		SHEET NUMBER	
								5 OF 9			

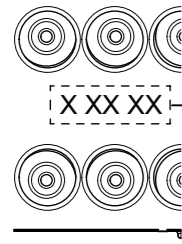
12CCT PLUG CONNECTOR



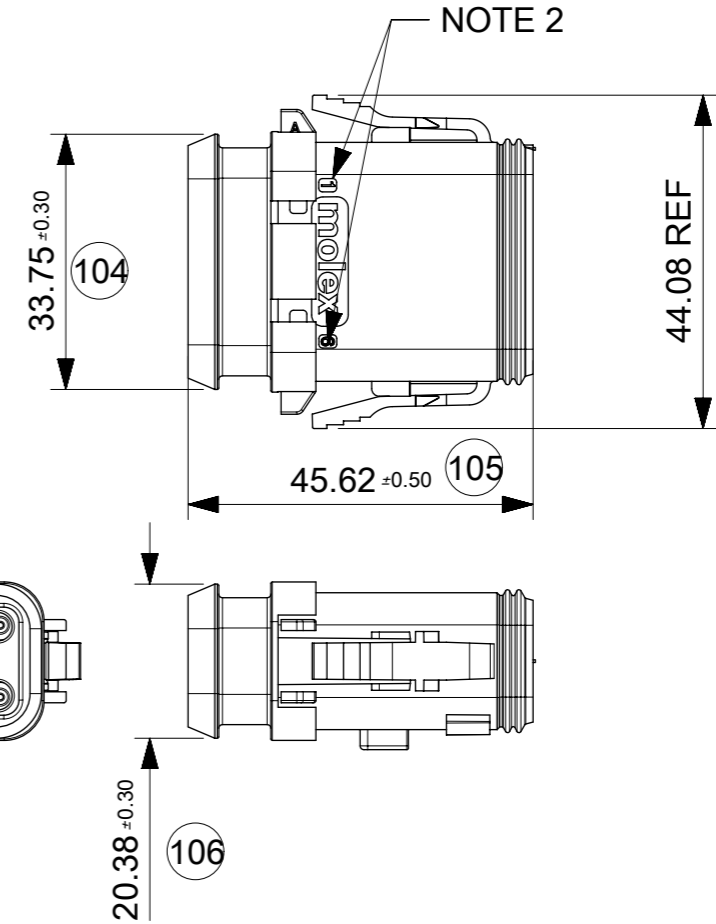
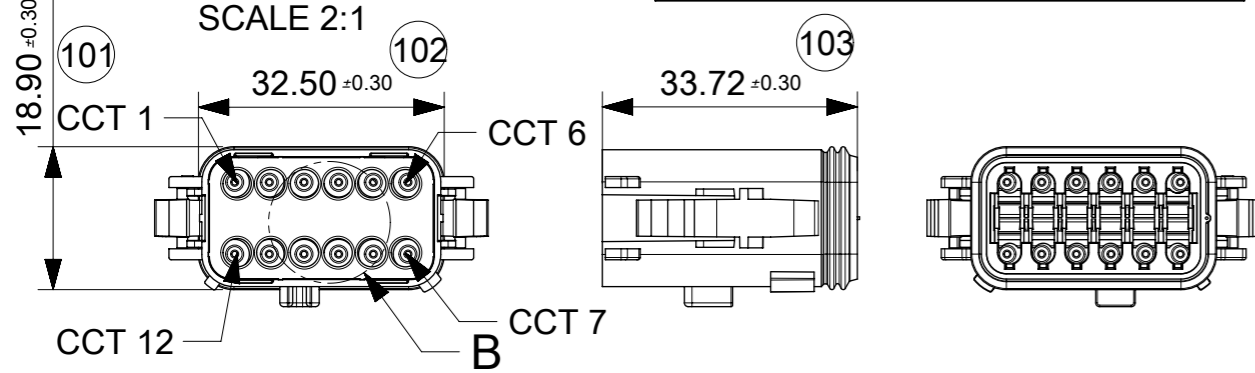
12CCT PLUG CONNECTOR WITH HEATSHRINK HOUSING ULTRASONICALLY WELDED IN PLACE



DATE CODE: X XX XX
 X — DAY: 1-7
 X — WEEK: 01 - 52
 X — YEAR: 00 - 99
 # — MACHINE NO. 1
 EXAMPLE: 11315 = DAY 1, WEEK 13, YEAR 15
 i.e. 23rd OF MARCH 2015

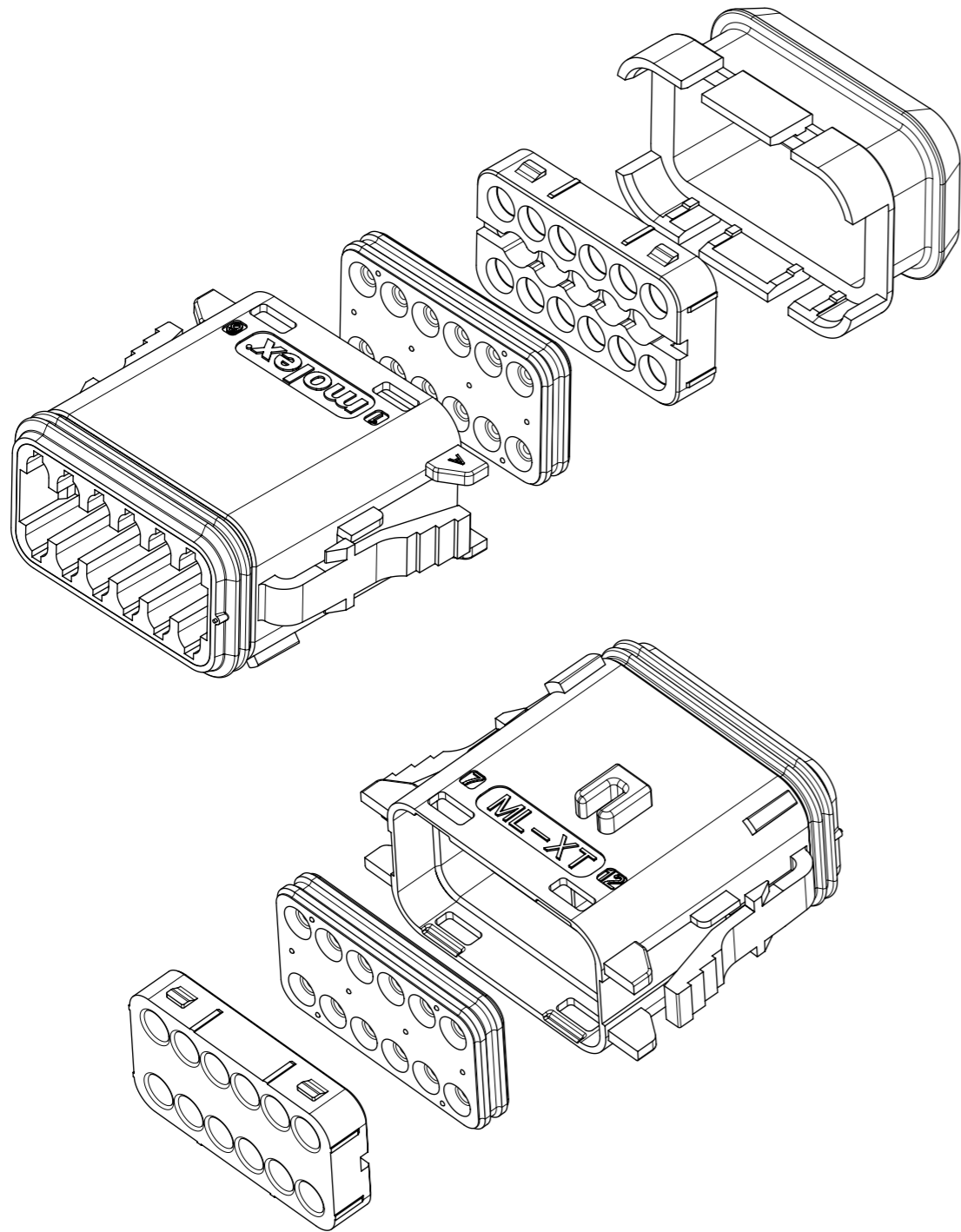


DETAIL B
 SCALE 2:1



- NOTES
- MATERIAL
 HOUSING: NYLON 30% GLASS FILL
 PLUG SEAL: SILICONE
 BACK SEAL: HIGH CONSISTENCY RUBBER
 - CIRCUIT IDENTIFICATION
 - JACKET RANGE LARGE = \varnothing 2.7mm TO 3.6mm (SEAL COLOUR: LIGHT BLUE)
 JACKET RANGE SMALL = \varnothing 1.4mm TO 2.7mm (SEAL COLOUR: BURNT ORANGE)
 - SEE SHEET 7 FOR FINAL PART NUMBER DESIGNATION
 - SEE 934430010 PSP FOR PRODUCT SPECIFICATION
 - SEE 934430002 PS K OR 934430010 PS K FOR PACKAGING SPECIFICATION
- INSPECTION NUMBERS 101-150 RESERVED FOR SHEET 6
 LAST INSPECTION NUMBER 106

THIS DRAWING CONTAINS INFORMATION THAT IS PROPRIETARY TO MOLEX ELECTRONIC TECHNOLOGIES, LLC AND SHOULD NOT BE USED WITHOUT WRITTEN PERMISSION											
QUALITY SYMBOLS	SEE LONG TEXT EC NO: 110489 DRWN: JFLETCHER CHK'D: FDUGGAN APPR: JDWALLACE	GENERAL TOLERANCES (UNLESS SPECIFIED)		DIMENSION UNITS	SCALE						
		4 PLACES ± 3 PLACES ± 2 PLACES ± 0.1 1 PLACE ± 0.2 0 PLACES ±		MM	1:1						
▽A = 0	EC NO: 110489 DRWN: JFLETCHER CHK'D: FDUGGAN APPR: JDWALLACE	ANGULAR TOL ± 2.0 °		DRWN BY	DATE	12CCT ML-XT CV CONNECTOR SYSTEM					
▽E = 0		DRAFT WHERE APPLICABLE MUST REMAIN WITHIN DIMENSIONS		JFLETCHER	2015/12/16						
▽F = 0		DRAFT WHERE APPLICABLE MUST REMAIN WITHIN DIMENSIONS		CHK'D BY	DATE	PRODUCT CUSTOMER DRAWING					
▽ = 0		DRAFT WHERE APPLICABLE MUST REMAIN WITHIN DIMENSIONS		FDUGGAN	2016/01/08						
▽ = 0		DRAFT WHERE APPLICABLE MUST REMAIN WITHIN DIMENSIONS		APPR BY	DATE	SERIES		MATERIAL NUMBER		CUSTOMER	
▽ = 0		DRAFT WHERE APPLICABLE MUST REMAIN WITHIN DIMENSIONS		JDWALLACE	2016/01/14	93443				GENERAL MARKET	
▽ = 0	DRAFT WHERE APPLICABLE MUST REMAIN WITHIN DIMENSIONS		DRAWING SIZE	THIRD ANGLE PROJECTION	DOCUMENT NUMBER		DOC TYPE	DOC PART	SHEET NUMBER		
▽ = 0	DRAFT WHERE APPLICABLE MUST REMAIN WITHIN DIMENSIONS		A3		934430060		PSD	000	6 OF 9		



12CCT PLUG CONNECTOR

SERIES NO.

93445

CIRCUIT SIZE
6 = 12CCT

6

-

- -

ASSEMBLY OPTIONS

- 1 = PLUG ASSEMBLY FOR WIRE JACKET RANGE \varnothing 1.4mm - 2.7mm
- 2 = PLUG ASSEMBLY FOR WIRE JACKET RANGE \varnothing 2.7mm - 3.6mm
- 5 = PLUG ASSEMBLY & HEATSHRINK FOR WIRE JACKET RANGE \varnothing 1.4mm - 2.7mm
- 6 = PLUG ASSEMBLY & HEATSHRINK FOR WIRE JACKET RANGE \varnothing 2.7mm - 3.6mm

KEYING / COLOUR OPTION


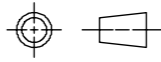
- 12 = KEYING OPTION A (GREY)
- 21 = KEYING OPTION B (BLACK)
- 33 = KEYING OPTION C (GREEN)
- 47 = KEYING OPTION D (BROWN)

EXAMPLE:

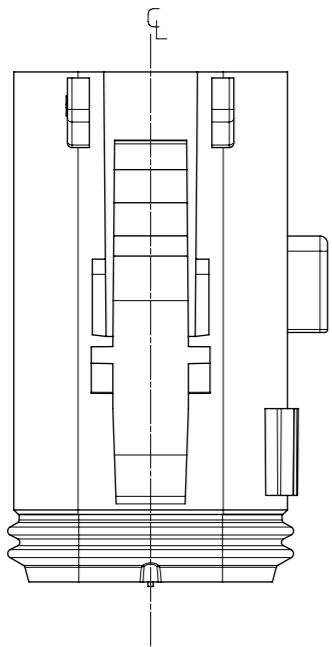
12CCT PLUG & HEATSHRINK FOR WIRE JACKET RANGE \varnothing 1.4mm-2.7mm, KEYING OPTION A (GREY): 93445-6512

NOTES

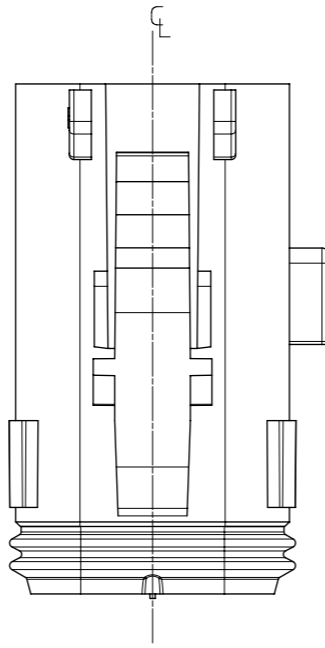
- 1. SEE SHEET 6 FOR UNSPECIFIED NOTES AND DIMENSIONS
- 2. BACK COVER COLOUR: BLACK
- 3. HEATSHRINK HOUSING COLOUR: BLACK

THIS DRAWING CONTAINS INFORMATION THAT IS PROPRIETARY TO MOLEX ELECTRONIC TECHNOLOGIES, LLC AND SHOULD NOT BE USED WITHOUT WRITTEN PERMISSION													
QUALITY SYMBOLS ▽A = 0 ▽E = 0 ▽F = 0 ▼ = 0 ▽C = 0 ⊠ = 0 ■ = 0 ▽ = 0	SEE LONG TEXT EC NO: 110489 DRWN: JFLETCHER CHK'D: FDUGGAN APPR: JDWALLACE	GENERAL TOLERANCES (UNLESS SPECIFIED) ANGULAR TOL ± 2.0 °		DIMENSION UNITS	SCALE	 12CCT ML-XT CV CONNECTOR SYSTEM							
		MM		1:1									
		DRWN BY	DATE										
		4 PLACES ±		JFLETCHER		2015/12/16		PRODUCT CUSTOMER DRAWING					
		3 PLACES ±		CHK'D BY		DATE							
		2 PLACES ± 0.1		FDUGGAN		2016/01/08		SERIES		MATERIAL NUMBER		CUSTOMER	
1 PLACE ± 0.2		APPR BY		DATE		93443				GENERAL MARKET			
0 PLACES ±		JDWALLACE		2016/01/14		DRAWING SIZE		THIRD ANGLE PROJECTION					
DRAFT WHERE APPLICABLE MUST REMAIN WITHIN DIMENSIONS		A3				DOCUMENT NUMBER		DOC TYPE		DOC PART SHEET NUMBER			
		A1				934430060		PSD		000 7 OF 9			

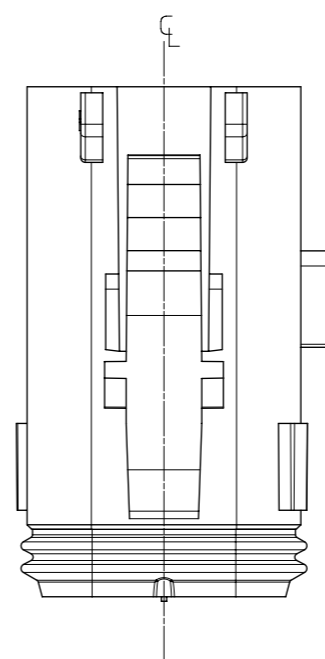
KEYING OPTION A



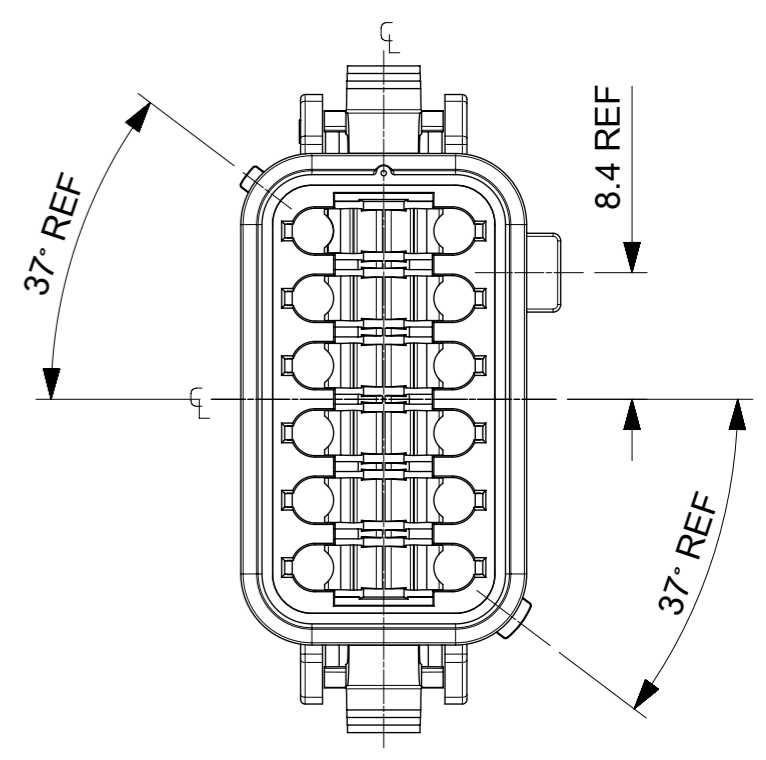
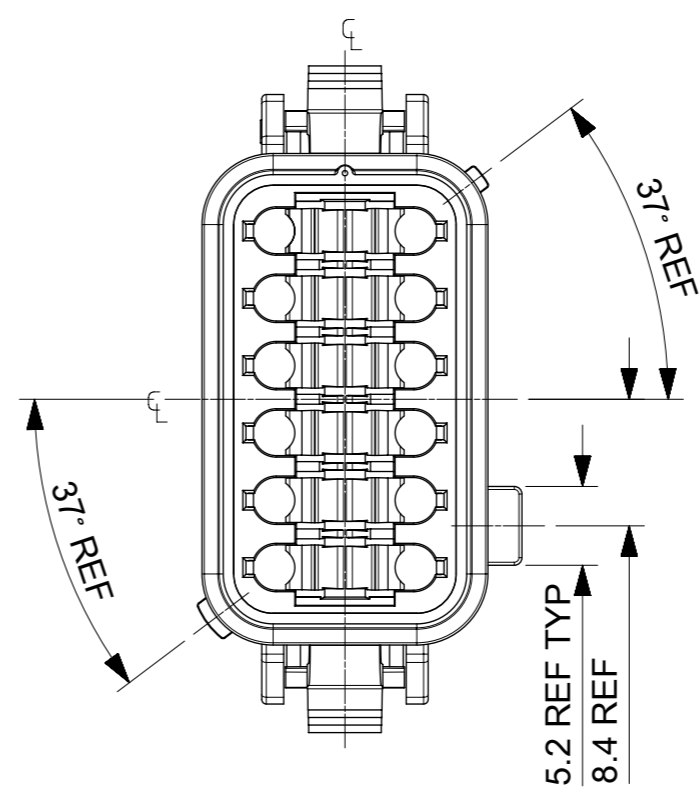
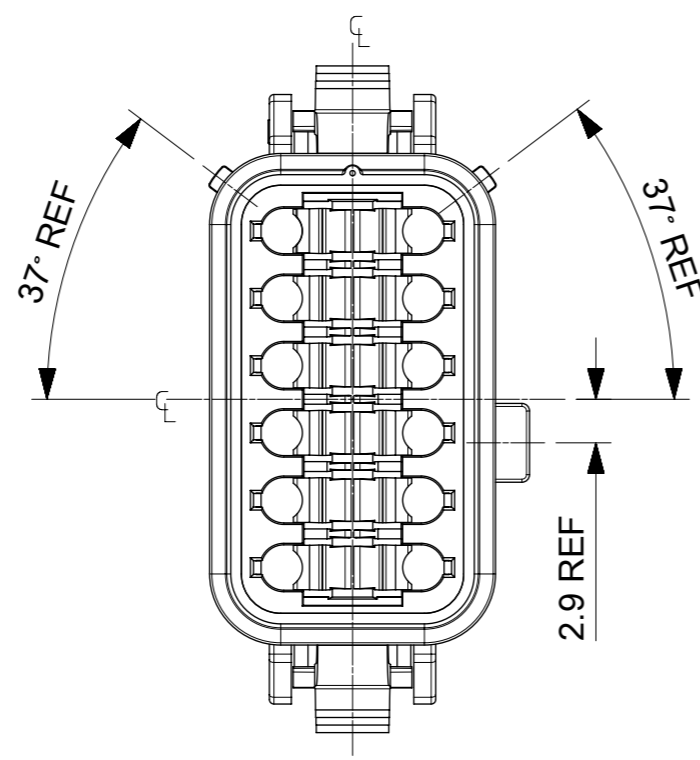
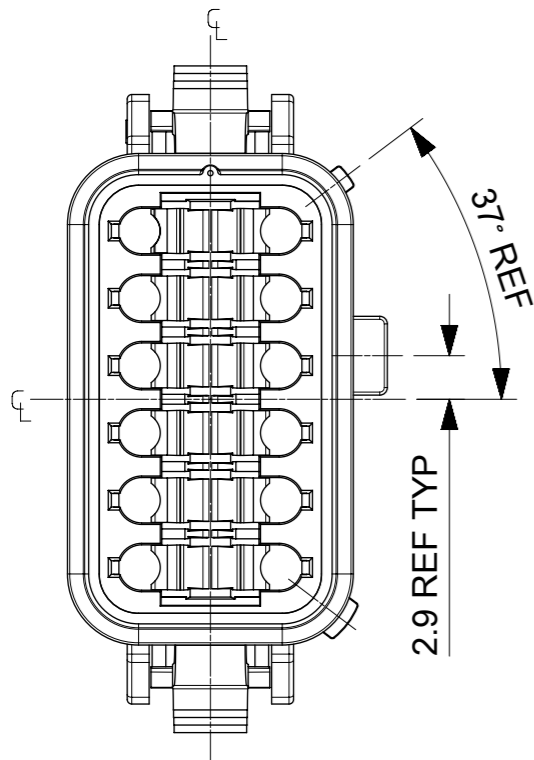
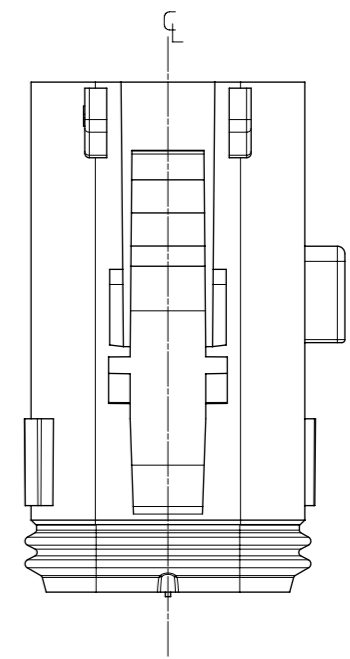
KEYING OPTION B



KEYING OPTION C

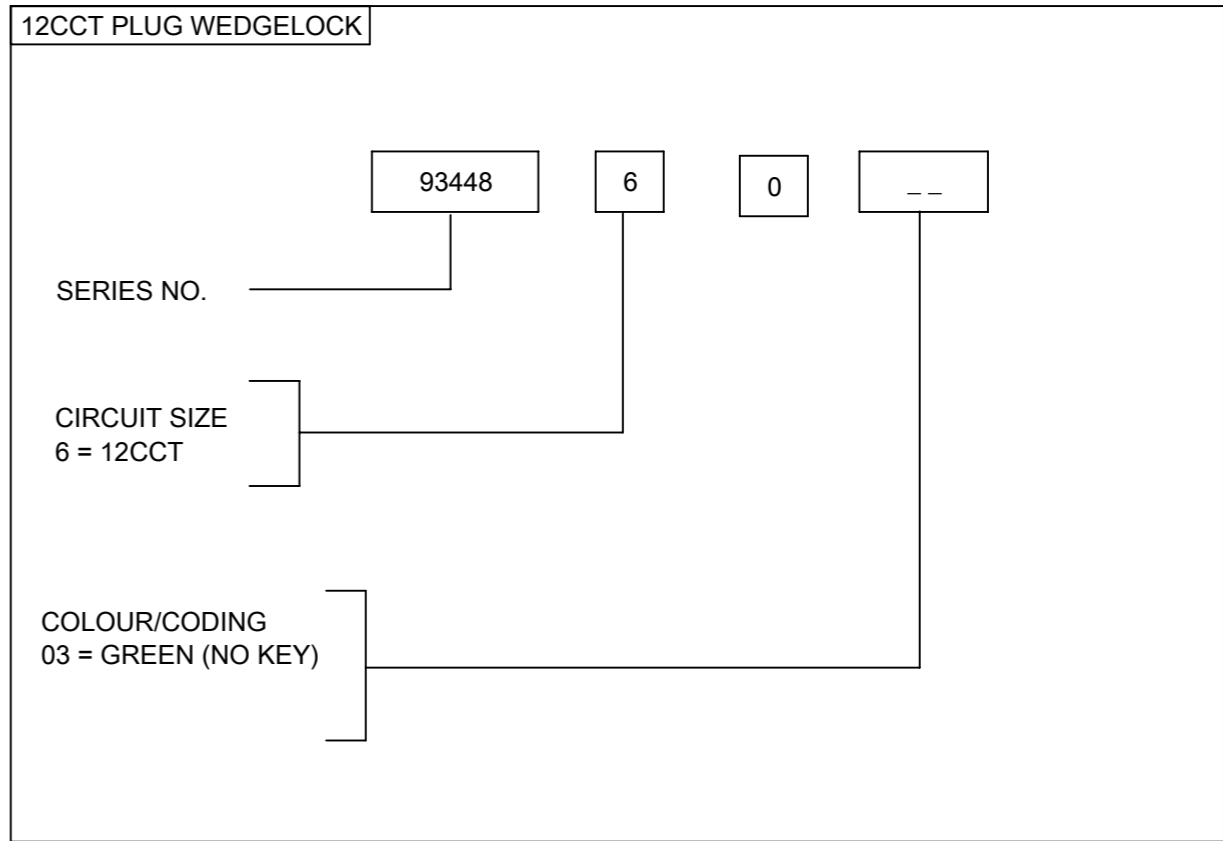
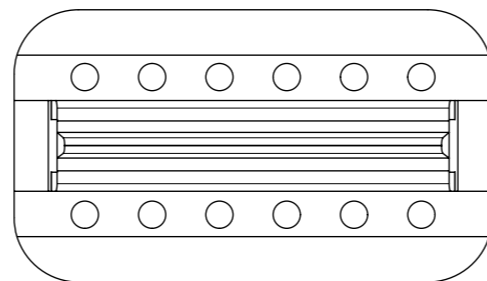
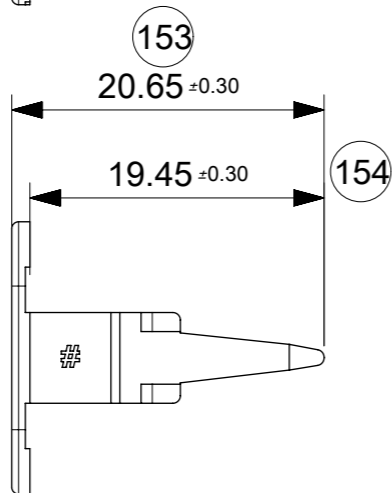
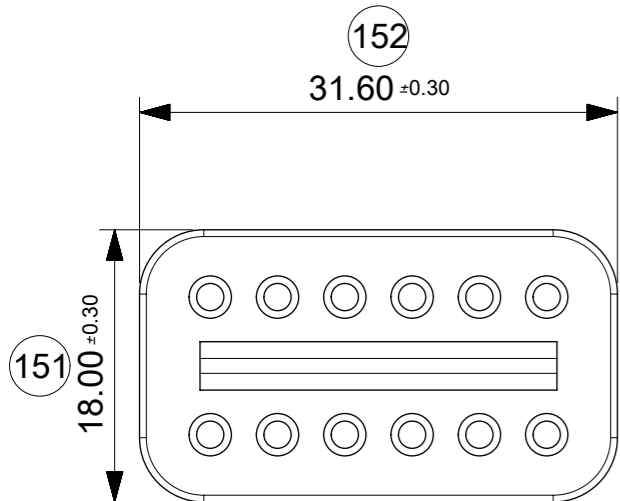
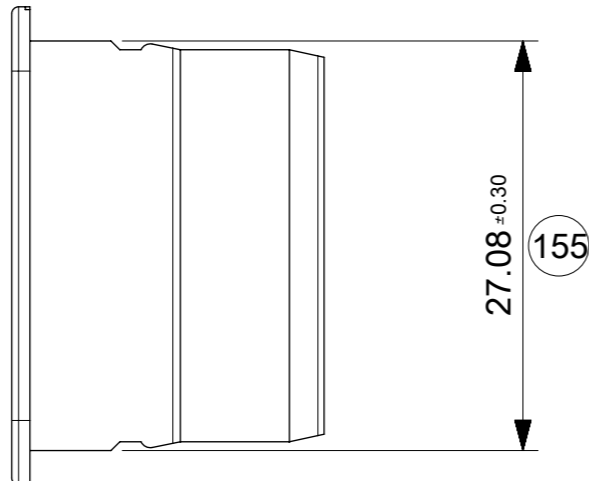
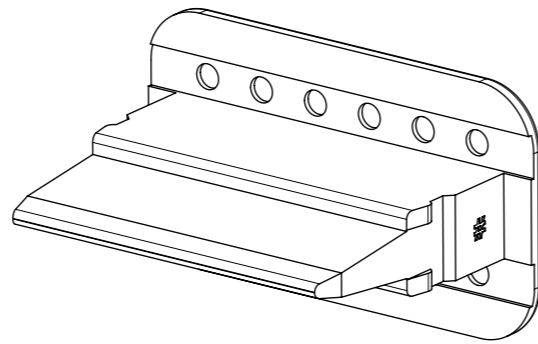
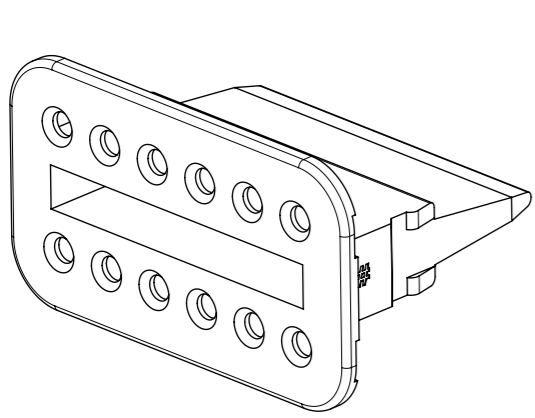


KEYING OPTION D



NOTES
 1. SEE SHEETS 6 & 7 FOR UNSPECIFIED NOTES AND DIMENSIONS

<p>QUALITY SYMBOLS</p> <p>▽A = 0</p> <p>▽E = 0</p> <p>▽F = 0</p> <p>▽ = 0</p> <p>▽C = 0</p> <p>▽ = 0</p> <p>▽ = 0</p> <p>▽ = 0</p> <p>▽ = 0</p>				<p>THIS DRAWING CONTAINS INFORMATION THAT IS PROPRIETARY TO MOLEX ELECTRONIC TECHNOLOGIES, LLC AND SHOULD NOT BE USED WITHOUT WRITTEN PERMISSION</p>					
<p>EC NO: 110489</p> <p>DRWN: JFLETCHER</p> <p>CHK'D: FDUGGAN</p> <p>REV APPR: JDWALLACE</p>		<p>2016/11/16</p> <p>2016/11/18</p> <p>2017/01/03</p>		<p>GENERAL TOLERANCES (UNLESS SPECIFIED)</p> <p>ANGULAR TOL ± 2.0 °</p> <p>4 PLACES ±</p> <p>3 PLACES ±</p> <p>2 PLACES ± 0.1</p> <p>1 PLACE ± 0.2</p> <p>0 PLACES ±</p>		<p>DIMENSION UNITS: MM</p> <p>SCALE: 2:1</p>		<p>molex</p>	
<p>SEE LONG TEXT</p>		<p>DRAFT WHERE APPLICABLE MUST REMAIN WITHIN DIMENSIONS</p>		<p>DRWN BY: JFLETCHER</p> <p>DATE: 2015/12/16</p>		<p>CHK'D BY: FDUGGAN</p> <p>DATE: 2016/01/08</p>		<p>12CCT ML-XT CV CONNECTOR SYSTEM</p>	
<p>APPR BY: JDWALLACE</p> <p>DATE: 2016/01/14</p>		<p>DRAWING SIZE: A3</p> <p>THIRD ANGLE PROJECTION</p>		<p>PRODUCT CUSTOMER DRAWING</p>		<p>SERIES: 93443</p> <p>MATERIAL NUMBER: [blank]</p> <p>CUSTOMER: GENERAL MARKET</p>		<p>DOCUMENT NUMBER: 934430060</p> <p>DOC TYPE: PSD</p> <p>DOC PART: 000</p> <p>SHEET NUMBER: 8 OF 9</p>	



NOTES

1. MATERIAL
HOUSING: NYLON 30% GLASS FILL

2. INSPECTION NUMBERS 151-200 RESERVED FOR SHEET 9
LAST INSPECTION NUMBER 155

QUALITY SYMBOLS ▽A = 0 ▽E = 0 ▽F = 0 ▼ = 0 ▽C = 0 ⊗ = 0 ■ = 0 ▽ = 0	THIS DRAWING CONTAINS INFORMATION THAT IS PROPRIETARY TO MOLEX ELECTRONIC TECHNOLOGIES, LLC AND SHOULD NOT BE USED WITHOUT WRITTEN PERMISSION										
	EC NO: 110489 DRWN: JFLETCHER CHK'D: FDUGGAN REV APPR: JDWALLACE	GENERAL TOLERANCES (UNLESS SPECIFIED) ANGULAR TOL ± 2.0 °		DIMENSION UNITS MM		SCALE 2:1					
		4 PLACES ± 3 PLACES ± 2 PLACES ± 0.1 1 PLACE ± 0.2 0 PLACES ±		DRWN BY JFLETCHER		DATE 2015/12/16					
		DRAFT WHERE APPLICABLE MUST REMAIN WITHIN DIMENSIONS		APPR BY JDWALLACE		DATE 2016/01/14		12CCT ML-XT CV CONNECTOR SYSTEM			
A1		DRAWING SIZE A3		THIRD ANGLE PROJECTION 		PRODUCT CUSTOMER DRAWING					
						SERIES 93443		MATERIAL NUMBER 934430060		CUSTOMER GENERAL MARKET	
						DOCUMENT NUMBER 934430060		DOC TYPE PSD		DOC PART 000	
								SHEET NUMBER 9 OF 9			