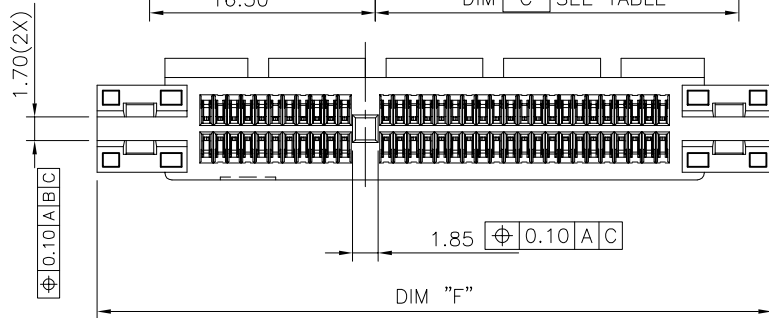
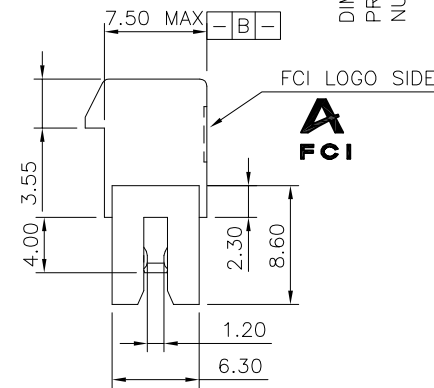
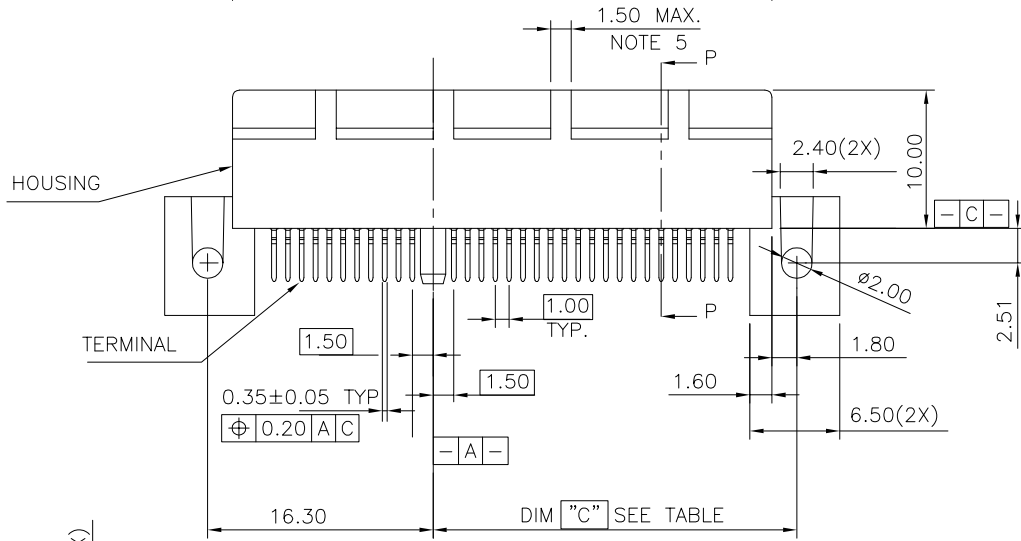
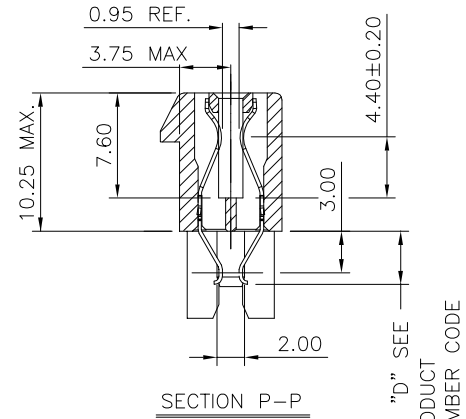
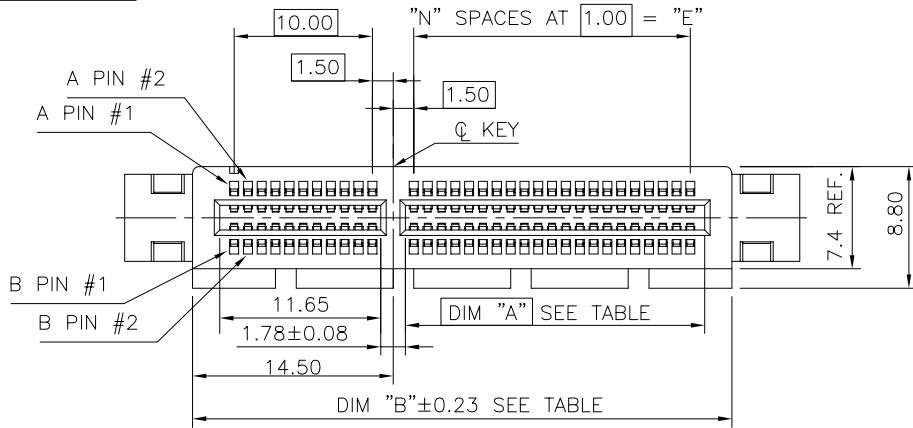
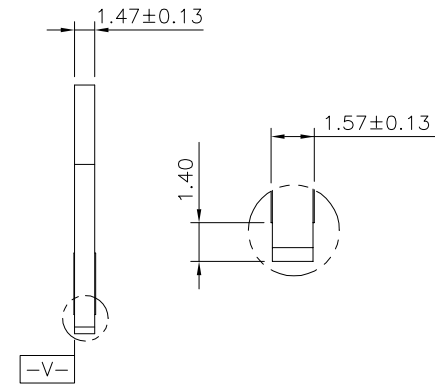
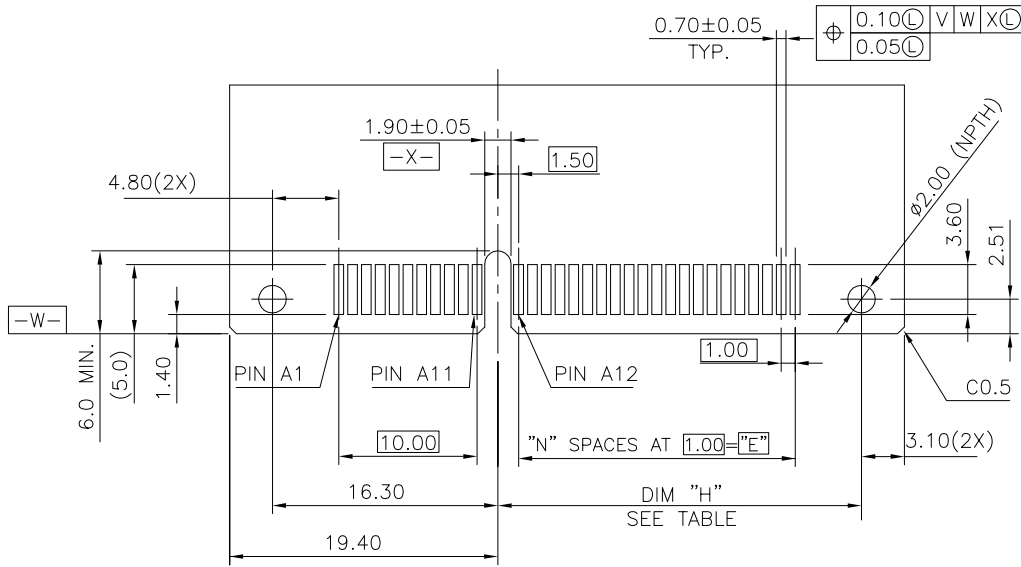


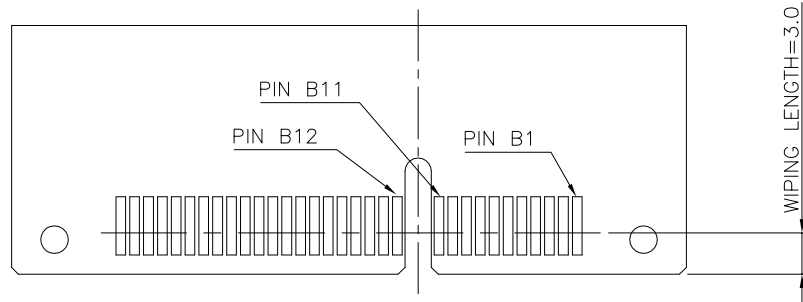
PRODUCT NO.
10025026



mat'l. code	-	surface	-	tolerance	ASME_Y14.5	projection	product family	PCI_EXPRESS
lfr	ecn no	dr	date	tolerances unless otherwise specified		MM	title	PCI_EXPRESS_CARD_EDGE_GEN3
F	T06-0179	M	W	10/24/06	angles		0.2±0.30	STRADDLE_MOUNT_ASS'Y
G	T06-0209	M	W	12/08/06	line out	0.00±0.20	dwg no	sheet 1 of 7
H	T10-0068	J	H	5/26/10	±2'	0.00±0.10	scale	N/A
J	DG-008880	H	T	12/12/11	dr	ZHENHUA_LIU	2016-03-25	size
K	DG-23735	LZH		04/05/16	enfr	ZHENHUA_LIU	2016-03-25	10025026
L	DG-24598	LZH		07/28/16	chr	STONE_LI	2016-03-25	A4
					appd	PM_ZHENG	2016-03-25	type
sheet	revision	L						CUSTOMER Drawing
index	sheet	7						



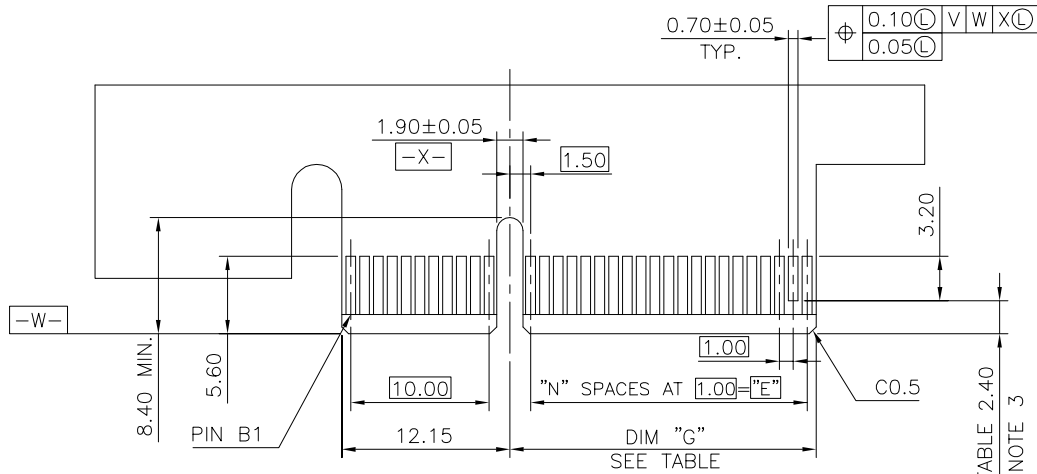
SCALE 2:1



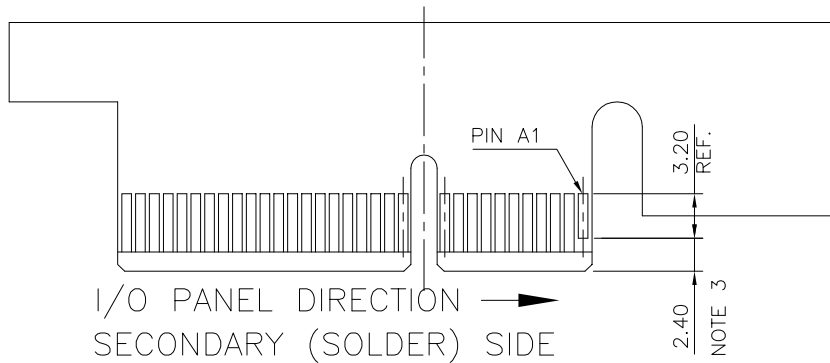
RECOMMEND OF PCB DIMENSIONS

#	POS REF.	N	DIM "H"	DIM "E"
36		6	12.30	6.00
64		20	26.30	20.00
98		37	43.30	37.00
164		70	76.30	70.00

mat'l. code		-		surface		- ✓		tolerance		ASME_Y14.5		projection		product family		PCI_EXPRESS	
lfr		ecn no		dr		date		tolerances unless otherwise specified		MM		title		PCI_EXPRESS_CARD_EDGE_GEN3		5	
								angles		.0±0.20		scale N/A		STRADDLE_MOUNT_ASS'Y			
								±2'		.00±0.13				dwg no		sheet 2 of 7 size	
				dr		ZHENHUA_LIU		2016-03-25		.000±0.05		Amphenol FCI		10025026		A4	
				enfr		ZHENHUA_LIU		2016-03-25						type		CUSTOMER Drawing	
				chr		STONE_LI		2016-03-25									
				appd		PM_ZHENG		2016-03-25									
sheet index		revision sheet		L		7											



← I/O PANEL DIRECTION
PRIMARY (COMPONENT) SIDE



NOTES:

- 1.MATERIAL: RATED.
HOUSING: HIGH TEMPERATURE NYLON, GLASS FILLED UL94V-0
TERMINAL: COPPER ALLOY
PLATING: SEE PRODUCT NUMBER CODE
METAL BOARD LOCKS: COPPER ALLOY
FINISH: 100u" TIN OVER 50u" NICKEL UNDERPLATE

2.PRODUCT SPECIFICATION: GS-12-233

- ③NO TIE BAR PERMITTED FROM CARD EDGE TO LEADING EDGE OF PAD FOR PINS A1 AND PIN NUMBERS "F".
- ④CHAMFER EDGES MUST BE FREE OF CUTTING BURRS.
- ⑤FREQUENCY & LOCATION AT SUPPLIER DISCRETION. RIDGE MAY BE CONTINUOUS WITH NO BREAKS.

6.RoHS COMPATIBLE PRODUCT SPECIFICATIONS

- a - PLATING:
 - "LF" MEANS THE PRODUCT IS LEAD-FREE
- b - MANUFACTURING PROCESS COMPATIBILITY
 - THE HOUSING WILL WITHSTAND EXPOSURE TO 260°C±5°C SOLDER BATH TEMPERATURE FOR 5 SECONDS IN A REFLOW SOLDER APPLICATION.

CONNECTOR	# POS	REF.	N	DIM "A"	DIM "B"	DIM "C"	"E"	"F"
1 PORT	36		6	7.65	25.00	12.30	6.00	34.8
4 PORT	64		20	21.65	39.00	26.30	20.00	48.8
8 PORT	98		37	38.65	56.00	43.30	37.00	65.8
16 PORT	164		70	71.65	89.00	76.30	70.00	98.8

PRODUCT NUMBER CODE

10025026 -x 0 x 0 x T □ □

- HOUSING COLOR OPTIONS**
 - 0-NATURAL, HALOGEN
 - 1-BLACK, HALOGEN
 - △ 2-NATURAL, HALOGEN FREE
 - 3-BLACK, HALOGEN FREE
- RESERVE**
- TERMINAL PLATING OPTIONS**
 - 0-50u" Ni UNDERPLATE
30u" Au CONTACT AREA
100u" TIN TAIL AREA ----- COMPATIBLE RoHS
 - 1-50u" Ni UNDERPLATE
15u" Au CONTACT AREA
100u" TIN TAIL AREA ----- COMPATIBLE RoHS
 - 2-50u" Ni UNDERPLATE
GOLD FLASH CONTACT AREA
100u" TIN TAIL AREA ----- COMPATIBLE RoHS
 - 3-50u" Ni UNDERPLATE
30u" Au CONTACT AREA
100u" TIN/LEAD TAIL AREA ----- INCOMPLIANT RoHS
 - 4-50u" Ni UNDERPLATE
15u" Au CONTACT AREA
100u" TIN/LEAD TAIL AREA ----- INCOMPLIANT RoHS
 - 5-50u" Ni UNDERPLATE
GOLD FLASH CONTACT AREA
100u" TIN/LEAD TAIL AREA ----- INCOMPLIANT RoHS

PACKAGING OPTIONS

- T: TRAY PACKAGING(IN GENERAL VERTICAL DIRECTION)
- C: TAPE & REEL WITH INSERT CAP (FOR 98P ONLY)
- H: TRAY PACKAGING(IN SPECIAL HORIZONTAL DIRECTION FOR 164P ONLY)
- P: TRAY PACKAGING WITH INSERT CAP
- △ S: TRAY PACKAGING WITH INSERT CAP(IN SPECIAL HORIZONTAL DIRECTION)

TAIL LENGTH OPTIONS

DIM "D"	PCB THICKNESS
3.85 +0.25 -0.13	1.56

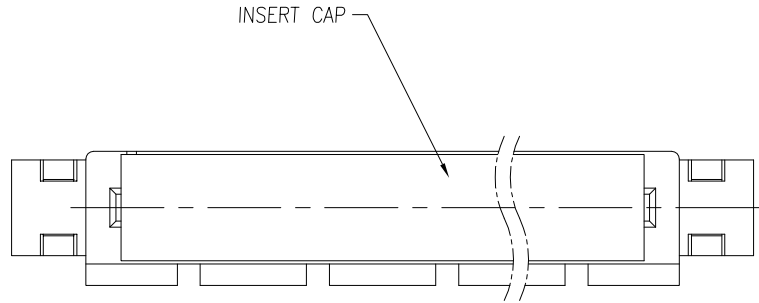
LEAD FREE OPTIEON

"LF" FOR TERMINAL PLATING OPTION 0,1,2

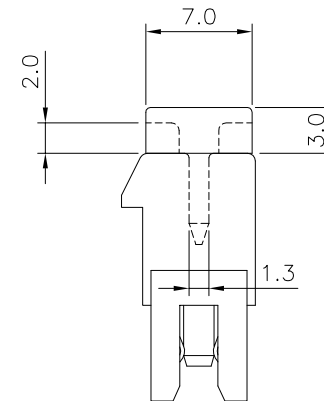
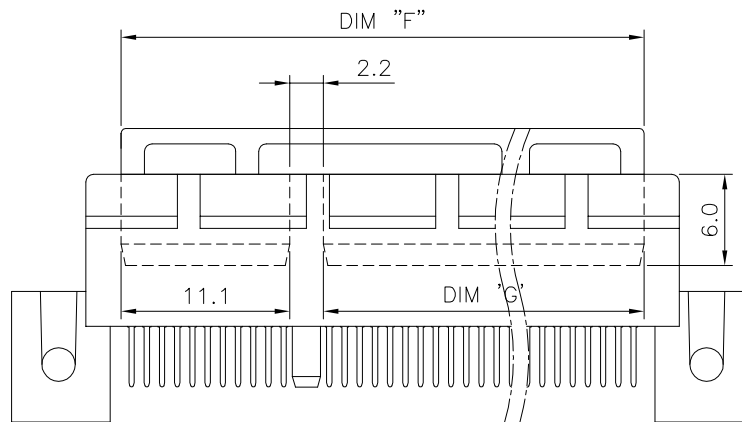
mat'l. code		surface		tolerance		projection		product family	
-		-		ASME_Y14.5				PCI_EXPRESS	
lfr		ecn no		dr		date		title	
								PCI_EXPRESS_CARD_EDGE_GEN3 STRADDLE_MOUNT_ASS'Y	
		angles		tolerances unless otherwise specified		MM		scale N/A	
		±2'		.02±0.30				dwg no	
				.00±0.20				sheet 4 of 7	
				.000±0.10				size	
		dr		ZHENHUA_LIU		2016-03-25		10025026	
		enfr		ZHENHUA_LIU		2016-03-25		A4	
		chr		STONE_LI		2016-03-25		type	
		appd		PM_ZHENG		2016-03-25		CUSTOMER Drawing	
sheet index		revision sheet		L		7			

NOTES:

1. MATERIAL:
INSERT CAP: THERMOPLASTIC UL94V-0; BLACK COLOR.



DIMENSIONS		
POSITION	F	G
36	20.4	7.1
64	34.4	21.1
98	51.4	38.1
164	84.4	71.1



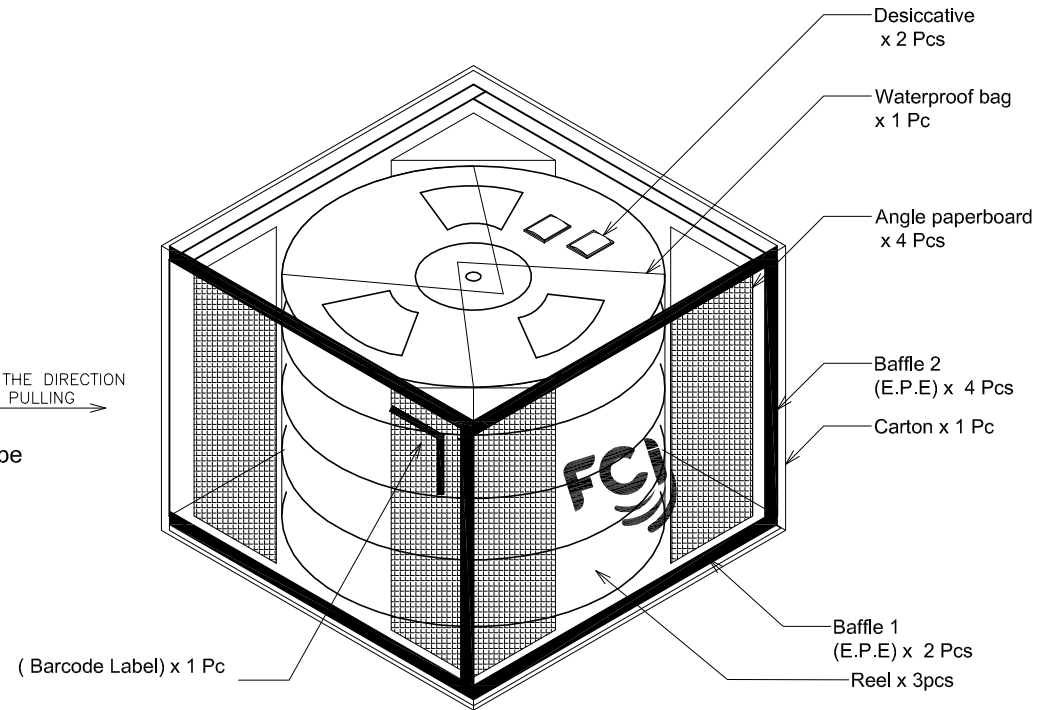
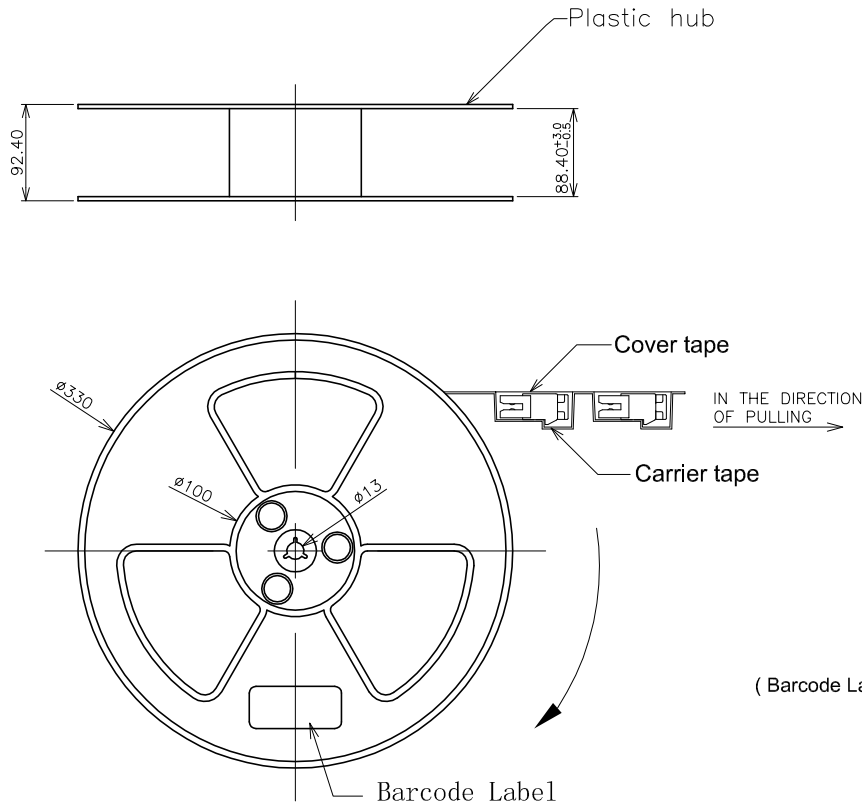
mat'l. code		-		surface		- ✓		tolerance		ASME_Y14.5		projection		product family		PCI_EXPRESS	
ltr		ecn no		dr		date		tolerances unless otherwise specified		MM		title		PCI_EXPRESS_CARD_EDGE_GEN3		5	
								angles		.02±0.30		scale N/A		STRADDLE_MOUNT_ASS'Y			
								±2'		.00±0.20		Amphenol FCi		dwg no		sheet 5 of 7 size	
				dr		ZHENHUA_LIU		2016-03-25				10025026		A4			
				enfr		ZHENHUA_LIU		2016-03-25				type		CUSTOMER Drawing			
				chr		STONE_LI		2016-03-25									
				appd		PM_ZHENG		2016-03-25									
sheet index		revision sheet		L		7											

NOTE:

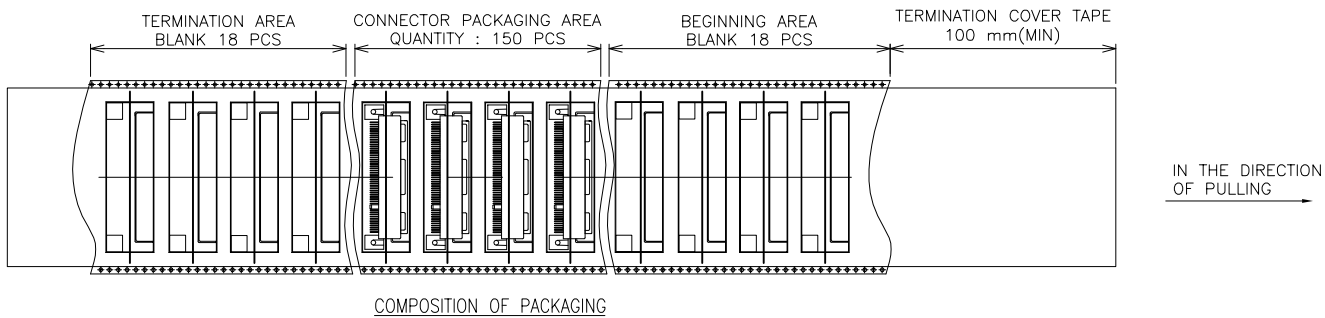
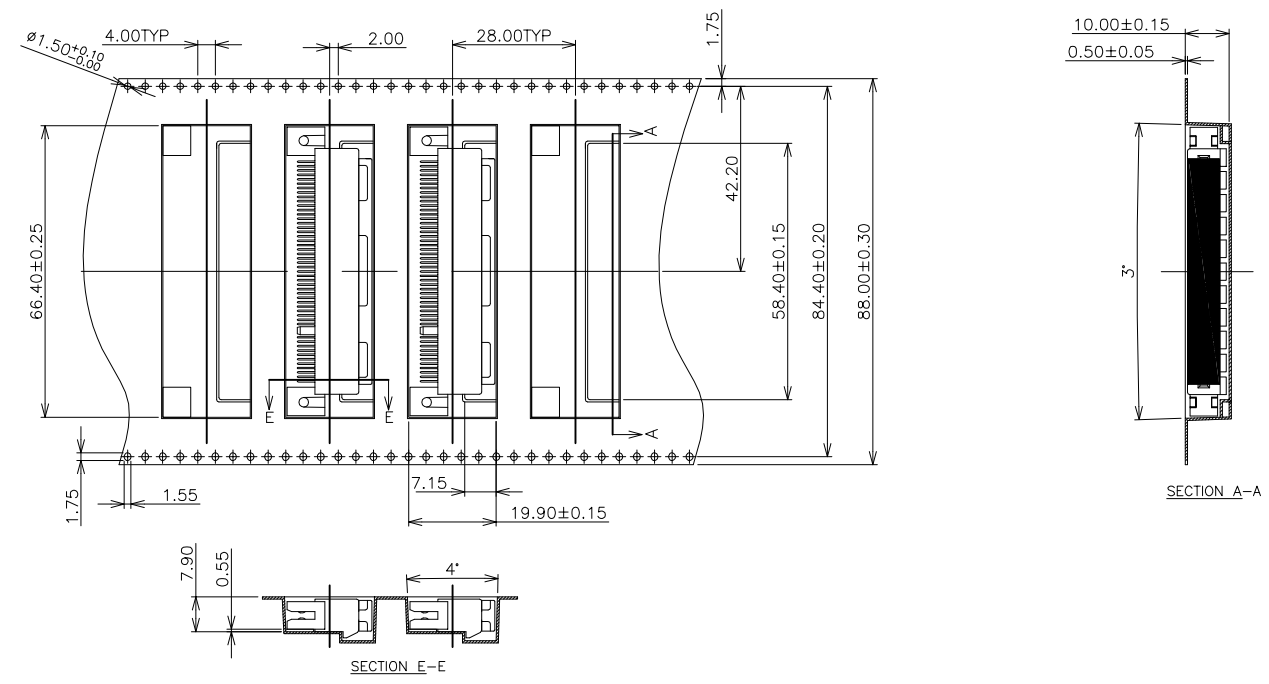
1. REEL MATERIAL : PS, BLACK
2. CARRIER MATERIAL : PS
3. COVER TAPE MATERIAL : PS
4. COVER TAPE REEL STRENGTH : 13"
5. QUANTITY : 150 PCS/REEL
6. Carton : 380(L) * 380(W) * 300(H) mm

Part No	
10025026-XXXXC(LF)	

NO. OF CONTACTS	98
REEL/CARTON	3
PCS/REEL	150
QUANTITY(PCS)	450



mat'l. code	-	surface	-	tolerance	ASME_Y14.5	projection	⊕	product family	PCI_EXPRESS
lfr	ecn no	dr	date	tolerances unless otherwise specified		MM	MM	title	PCI_EXPRESS_CARD_EDGE_GEN3 STRADDLE_MOUNT_ASS'Y
				angles	Line of			dwg no	10025026
				±2'		scale	N/A	sheet 6 of 7	size
		dr	ZHENHUA_LIU	2016-03-25					A4
		enfr	ZHENHUA_LIU	2016-03-25					
		chr	STONE_LI	2016-03-25					
		appd	PM_ZHENG	2016-03-25					
sheet index	revision	L						type	CUSTOMER Drawing
	sheet	7							



mat'l. code		-		surface	-	tolerance	ASME_Y14.5	projection	⊕	product family	PCI_EXPRESS	
lfr	ecn no	dr	date	tolerances unless otherwise specified				MM	title	PCI_EXPRESS_CARD_EDGE_GEN3 STRADDLE_MOUNT_ASS'Y		
				angles	±2'	linear	.02±0.30 .00±0.20 .000±0.10	scale	N/A	dwg no	10025026	
		dr	ZHENHUA_LIU	2016-03-25	enfr	ZHENHUA_LIU	2016-03-25			sheet 7 of 7	size	A4
		chr	STONE_LI	2016-03-25	appd	PM_ZHENG	2016-03-25			type	CUSTOMER Drawing	
sheet index	revision	L	7									