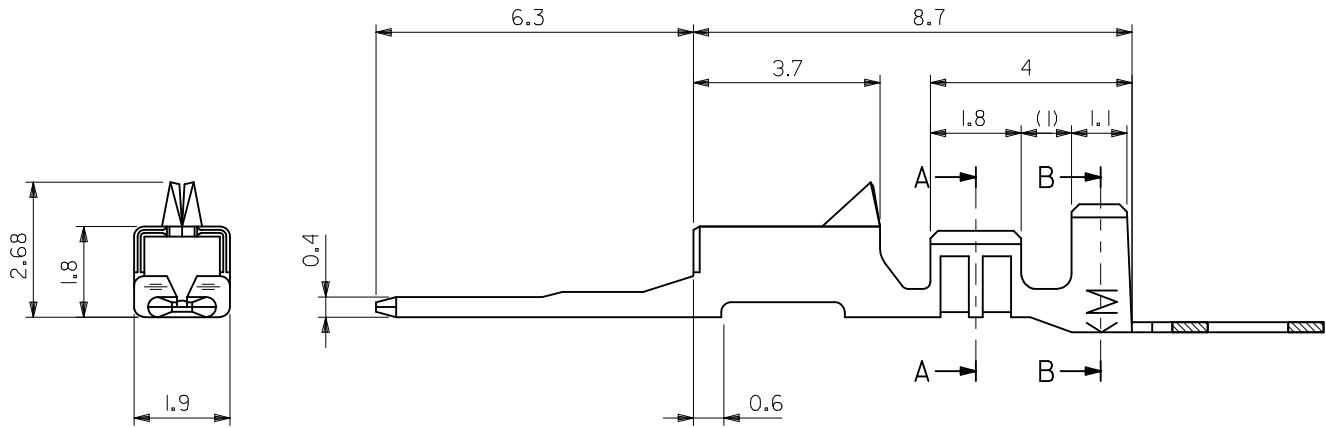
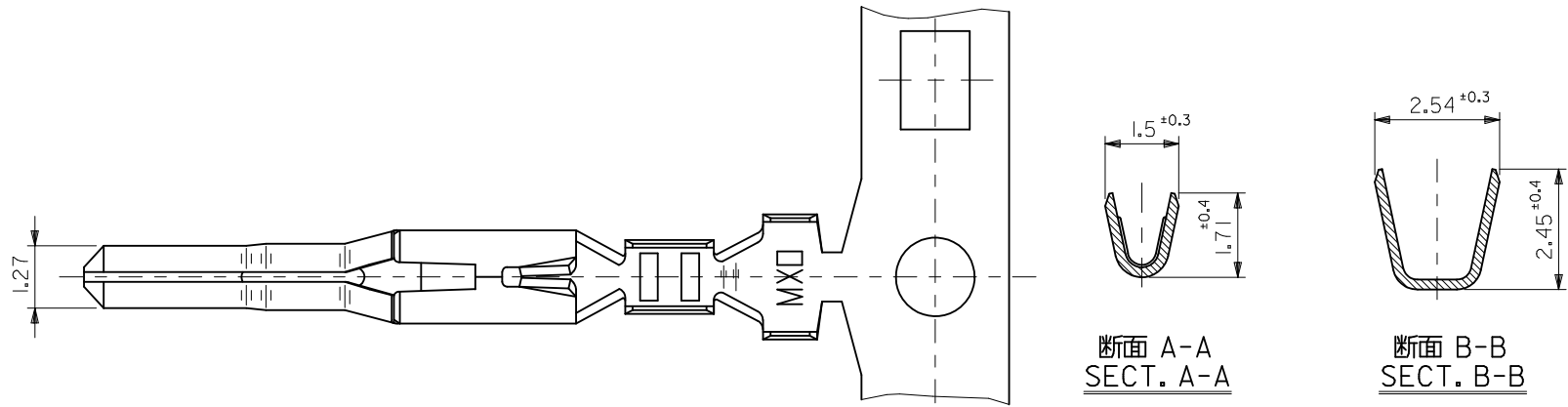


10 9 8 7 6 5 4 3 2 1



注記  
NOTES

- 適合ハウジング : 51112シリーズ  
APPLICABLE HOUSING : 51112 SERIES
- 材料 MATERIAL  
りん青銅 (t = 0.2)  
PHOSPHOR BRONZE  
錫メッキ 0.9 μm 以上 リフロー処理 (前めっき)  
TIN 0.9 μm MIN. REFLOW TREATMENT (PRE-PLATED)
- 適用電線サイズ AWG #22-28  
被覆外径 : 1.15~1.8mm
- ELV及びRoHS適合品  
ELV AND RoHS COMPLIANT

PLASTIC BAG	50398-8100	バラ状 LOOSE
REEL	50398-8000	連鎖状 CHAIN
PACKAGING SPEC.	オーダー番号 ORDER NO.	形態 FORM
CONNECTOR SERIES NO. 50398-8*00		

RELEASED EC NO: J2010-1818 DRWN: NYOSHIKAWA 2010/03/10 CHKD: KASAKAWA 2010/03/10 APPR: NUKITA 2010/03/11 REV: 0	DESCRIPTION GENERAL TOLERANCES (UNLESS SPECIFIED) 10 UNDER ±0.2 10 OVER 30 UNDER ±0.25 30 OVER ±0.3 ANGULAR ±3 ° DRAFT WHERE APPLICABLE MUST REMAIN WITHIN DIMENSIONS	DIMENSION STYLE MM ONLY	SCALE 10:1	DESIGN UNITS METRIC	THIRD ANGLE PROJECTION		
		DRAWN BY NYOSHIKAWA	DATE 2010/03/10	TITLE 2.5 WIRE TO WIRE CONN. CRIMP PIN			
		CHECKED BY KASAKAWA	DATE 2010/03/10	MOLEX INCORPORATED			
		APPROVED BY NUKITA	DATE 2010/03/10	MATERIAL NO. SEE TABLE	DOCUMENT NO. SD-50398-001	SHEET NO. 1 OF 1	

THIS DRAWING CONTAINS INFORMATION THAT IS PROPRIETARY TO MOLEX INCORPORATED AND SHOULD NOT BE USED WITHOUT WRITTEN PERMISSION