

THIS DRAWING IS UNPUBLISHED. RELEASED FOR PUBLICATION
 © COPYRIGHT - By - ALL RIGHTS RESERVED.

LOC	DIST	REVISIONS					
FT	0	P	LTR	DESCRIPTION	DATE	DWN	APVD
			B	ERVISD PER ECO-11-023039	21FEB12	KH	MS

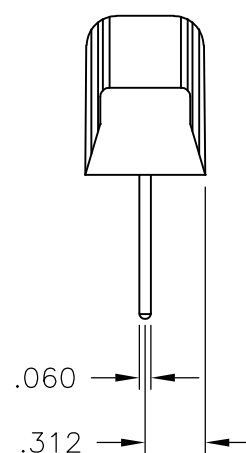
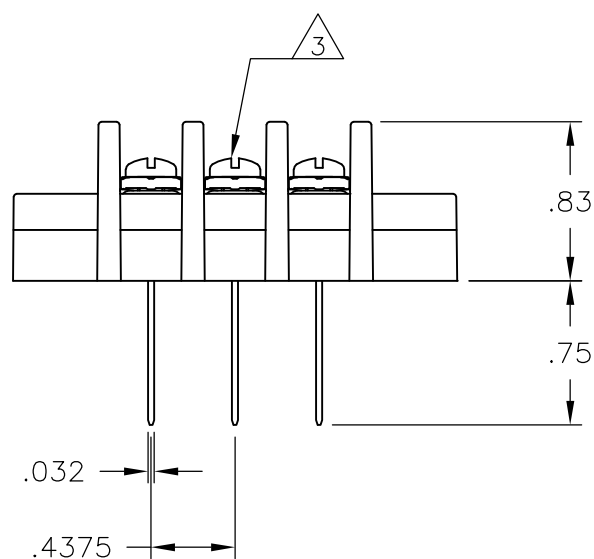
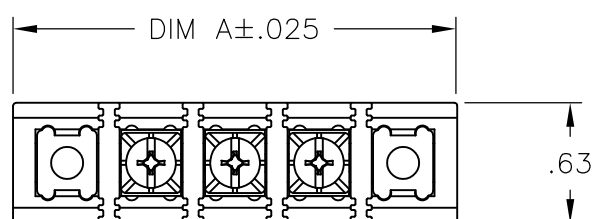
MATERIAL:
 HOUSING: NYLON, UL94V-0, BLACK.
 TERMINALS: BRASS, BRIGHT TIN PLATED.
 SCREWS: 6-32, STEEL, ZINC AND CHROMATE PLATED.

ELECTRICAL:
 MAXIMUM CURRENT: 20A.
 OPERATING VOLTAGE: 600V.
 WIRE RANGE: 12-22 AWG.

ENVIRONMENT:
 OPERATING TEMP.: -60°C TO +105°C

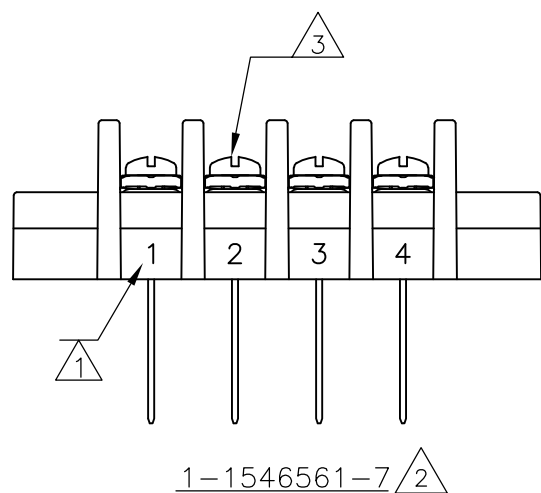
- 1 WHITE INK STAMP.
- 2 OBSOLETE PARTS: OBSOLETE CIS STREAMLINING PER D.RENAUD/D.SINISI
- 3 ALL SCREWS BOTTOMED, TORQUE 2 TO 4 IN-LBS

DIM A	BUSHING	NO. OF POS.	CATALOG NUMBER	PART NUMBER
11.937	YES	25	SSB7FG250702	2-1546964-5
11.500	YES	24	SSB7FG240702	2-1546964-4
11.062	YES	23	SSB7FG230702	2-1546964-3
10.625	YES	22	SSB7FG220702	2-1546964-2
10.187	YES	21	SSB7FG210702	2-1546964-1
9.750	YES	20	SSB7FG200702	2-1546964-0
9.312	YES	19	SSB7FG190702	1-1546964-9
8.875	YES	18	SSB7FG180702	1-1546964-8
8.437	YES	17	SSB7FG170702	1-1546964-7
8.000	YES	16	SSB7FG160702	1-1546964-6
7.562	YES	15	SSB7FG150702	1-1546964-5
7.125	YES	14	SSB7FG140702	1-1546964-4
6.687	YES	13	SSB7FG130702	1-1546964-3
6.250	YES	12	SSB7FG120702	1-1546964-2
5.812	YES	11	SSB7FG110702	1-1546964-1
5.375	YES	10	SSB7FG100702	1-1546964-0
4.937	YES	9	SSB7FG090702	1546964-9
4.500	YES	8	SSB7FG080702	1546964-8
4.062	YES	7	SSB7FG070702	1546964-7
3.625	YES	6	SSB7FG060702	1546964-6
3.187	YES	5	SSB7FG050702	1546964-5
2.750	YES	4	SSB7FG041502	1546561-7
2.750	NO	4	SSB7FF04070211	1-1546561-7
2.750	NO	4	SSB7FF040702	1546561-2
2.750	YES	4	SSB7FG040702	9-796602-7
2.312	YES	3	SSB7FG030702	1546964-3
1.875	NO	2	SSB7FF020702	1546561-4
1.875	YES	2	SSB7FG020702	1546964-2
1.437	YES	1	SSB7FG010702	1546964-1

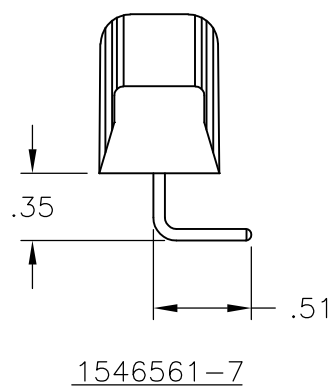


SEE FIGURE 2 OBSOLETE

2 OBSOLETE



1-1546561-7 2



1546561-7

THIS DRAWING IS A CONTROLLED DOCUMENT.

DIMENSIONS:	TOLERANCES UNLESS OTHERWISE SPECIFIED:
INCHES	
0 PLC	± -
1 PLC	± -
2 PLC	± .02
3 PLC	± .010
4 PLC	± -
ANGLES	± 1°
MATERIAL	FINISH
-	-

DWN	S SCHL GEL	3/8/04
CHK	S YODER	3/8/04
APVD	S YODER	3/8/04
PRODUCT SPEC		
APPLICATION SPEC		
WEIGHT -		
CUSTOMER DRAWING		

STE TE Connectivity				
NAME				
SSB7FGXX0702				
SIZE	CAGE CODE	DRAWING NO	RESTRICTED TO	
A3	00779	C-9-796602-7	-	
SCALE		SHEET	REV	
NTS		1 OF 1	B	