

1000BASE-T MAGNETICS MODULE

Designed to Support Gigabit Transceivers



- Designed for Long-haul Gigabit Ethernet (10/100/1000Base-T) applications
- Cable interface for isolation and low common mode emissions
- Smallest footprint to minimize board space
- Compliant with IEEE 802.3ab standard
- Compliant with RoHS Directive with peak solder rating of 245°C

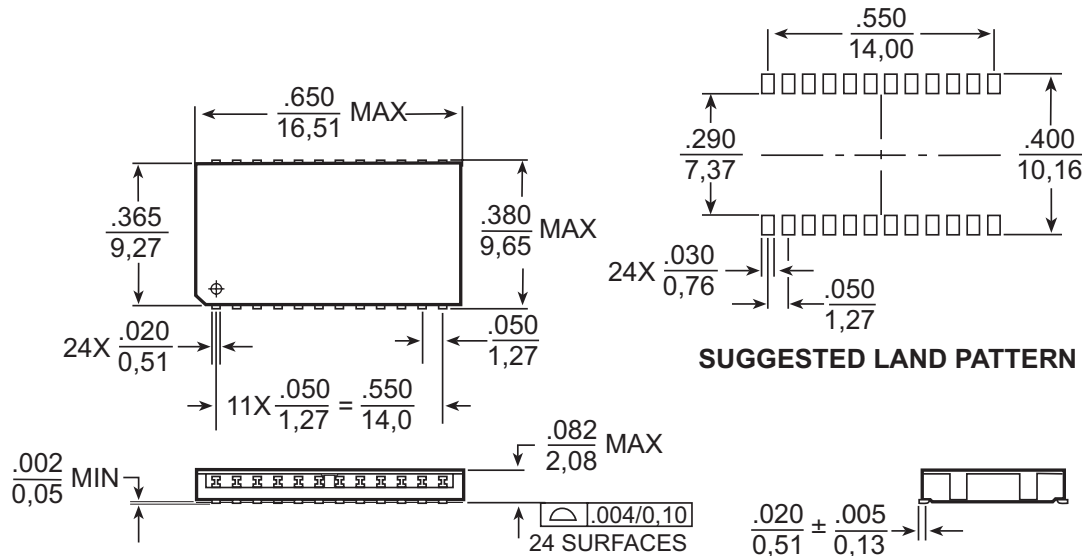
Electrical Specifications @ 25°C — Operating Temperature 0°C to 70°C

Part Number	Insertion Loss (dB MAX)	Return Loss (dB MIN @ 100Ω)					Differential to Common Mode Rejection (dB MIN)			Crosstalk (dB MIN)			Hipot (Vrms MIN)
		1-100 MHz	1-30 MHz	40-50 MHz	60-80 MHz	100 MHz	30 MHz	60 MHz	100 MHz	30 MHz	60 MHz	100 MHz	
H5120NL ¹	1.0	-18	-16	-12	-10	-43	-37	-33	-45	-40	35	1500	

1. Add "T" to the end of the part number for Tape & Reel option. For example, H5120NL becomes H5120NLT.

Mechanical

H5120NL



Weight 0.54 grams
Tape & Reel 1000
Tube 30

Dimensions: $\frac{\text{Inches}}{\text{mm}}$ Unless otherwise specified, all tolerances are $\pm \frac{.010}{0,25}$

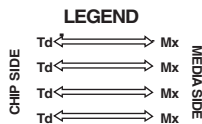
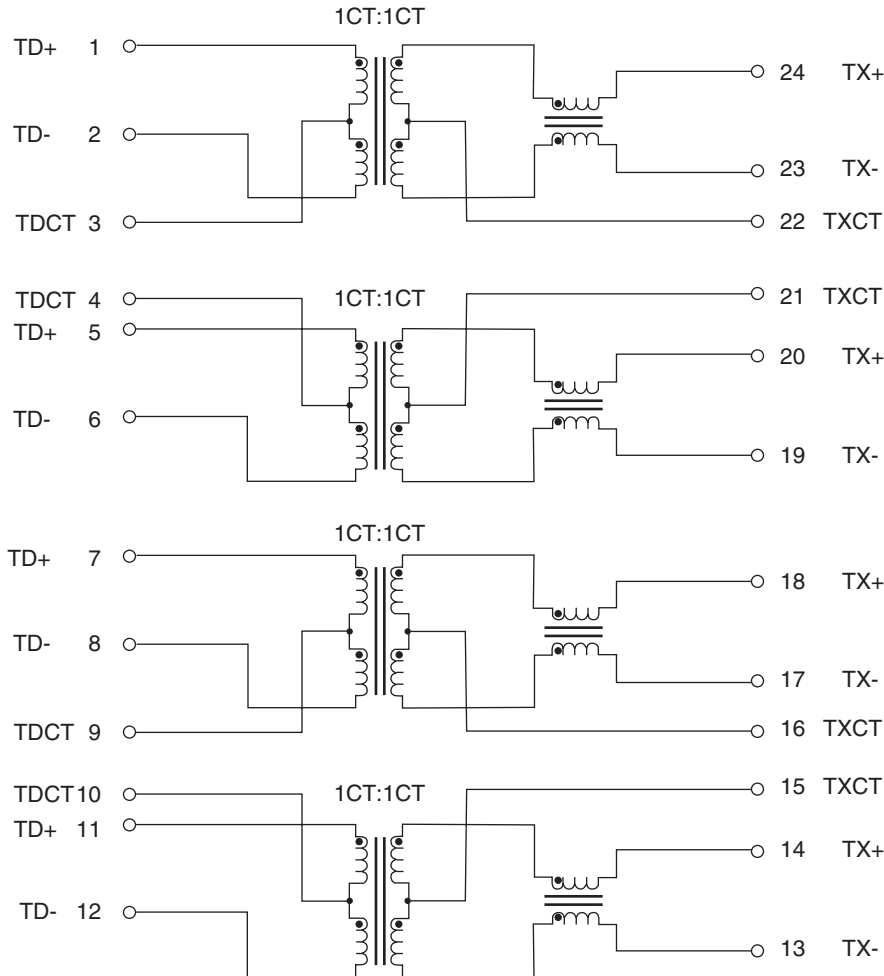
1000BASE-T MAGNETICS MODULE

Designed to Support Gigabit Transceivers



Schematic

H5120NL



For More Information:

Pulse Worldwide Headquarters	Pulse Northern Europe	Pulse Southern Europe	Pulse China Headquarters	Pulse North China	Pulse South Asia	Pulse North Asia
12220 World Trade Drive San Diego, CA 92128 U.S.A. www.pulseeng.com TEL: 858 674 8100 FAX: 858 674 8262	3 Huxley Road Surrey Research Park Guildford, Surrey GU2 5RE United Kingdom TEL: 44 1483 401700 FAX: 44 1483 401701	Zone Industrielle F-39270 Orgelet France TEL: 33 3 84 35 04 04 FAX: 33 3 84 25 46 41	No. 1 Industrial District Changan, Dongguan China TEL: 86 769 85538070 FAX: 86 769 85538070	Room 1503 XinYin Building No. 888 YiShan Road Shanghai 200233 China TEL: 86 21 54643211/2 FAX: 86 21 54643210	135 Joo Seng Rd. #03-02 PM Industrial Bldg. Singapore 368363 TEL: 65 6287 8998 FAX: 65 6280 0080	No. 26 Kao Ching Road Yang Mei Chen Taoyuan Hsien Taiwan, R. O. C. TEL: 886 3 4641811 FAX: 886 3 4641911

This is a "Preliminary" product data sheet. Products mentioned on this data sheet are in development and in the process of being qualified. These products are not fully released nor are they in production. Features, specifications and performance of products offered are subject to change without notice. Other brand and product names mentioned herein may be products and/or registered trademarks of their respective owners. For current information on this product, please contact the Pulse office nearest you and ask for the "LAN Applications Engineer."

© Copyright, 2006. Pulse Engineering, Inc. All rights reserved.

www.pulseeng.com

H550.Q (1/09)