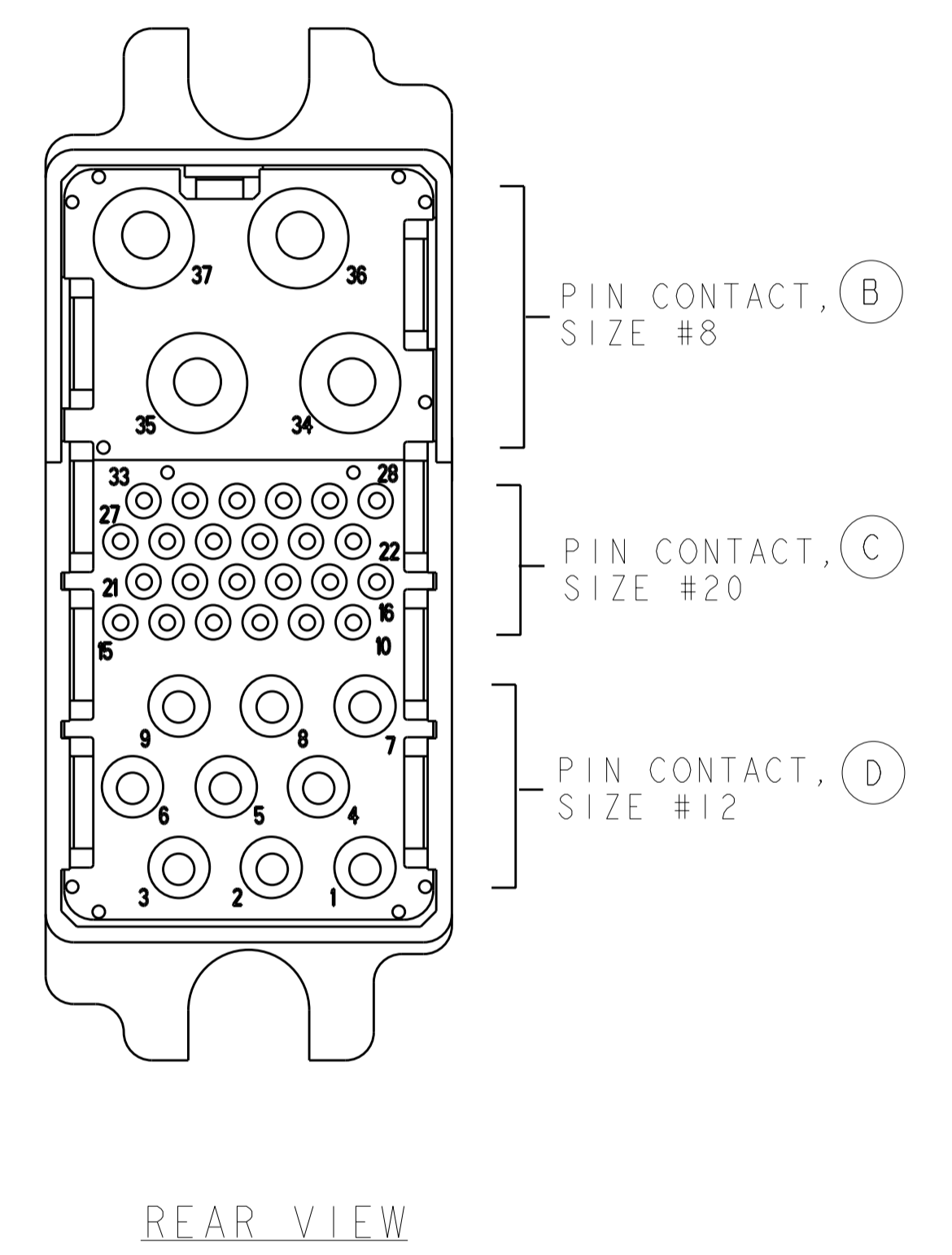
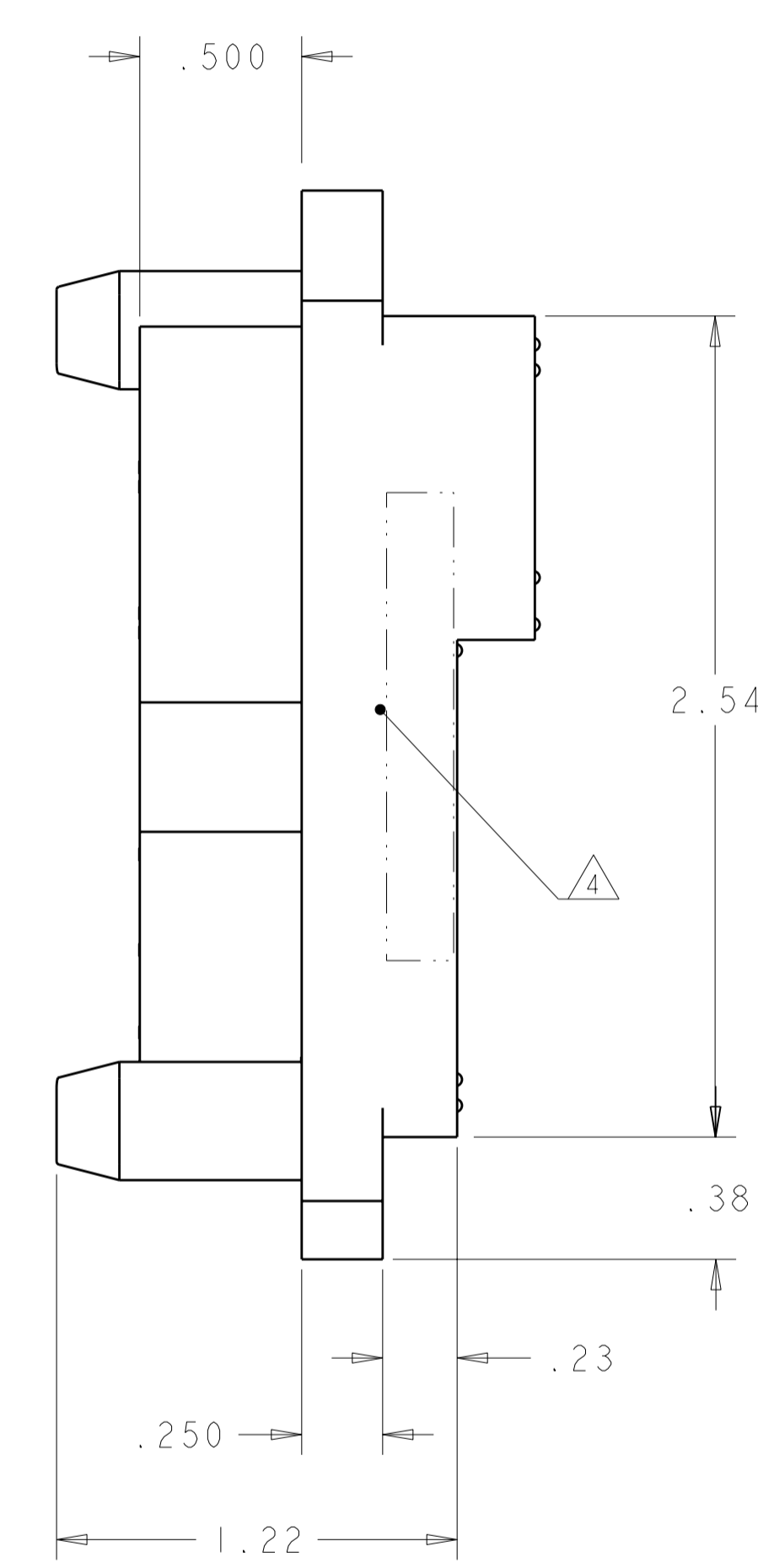
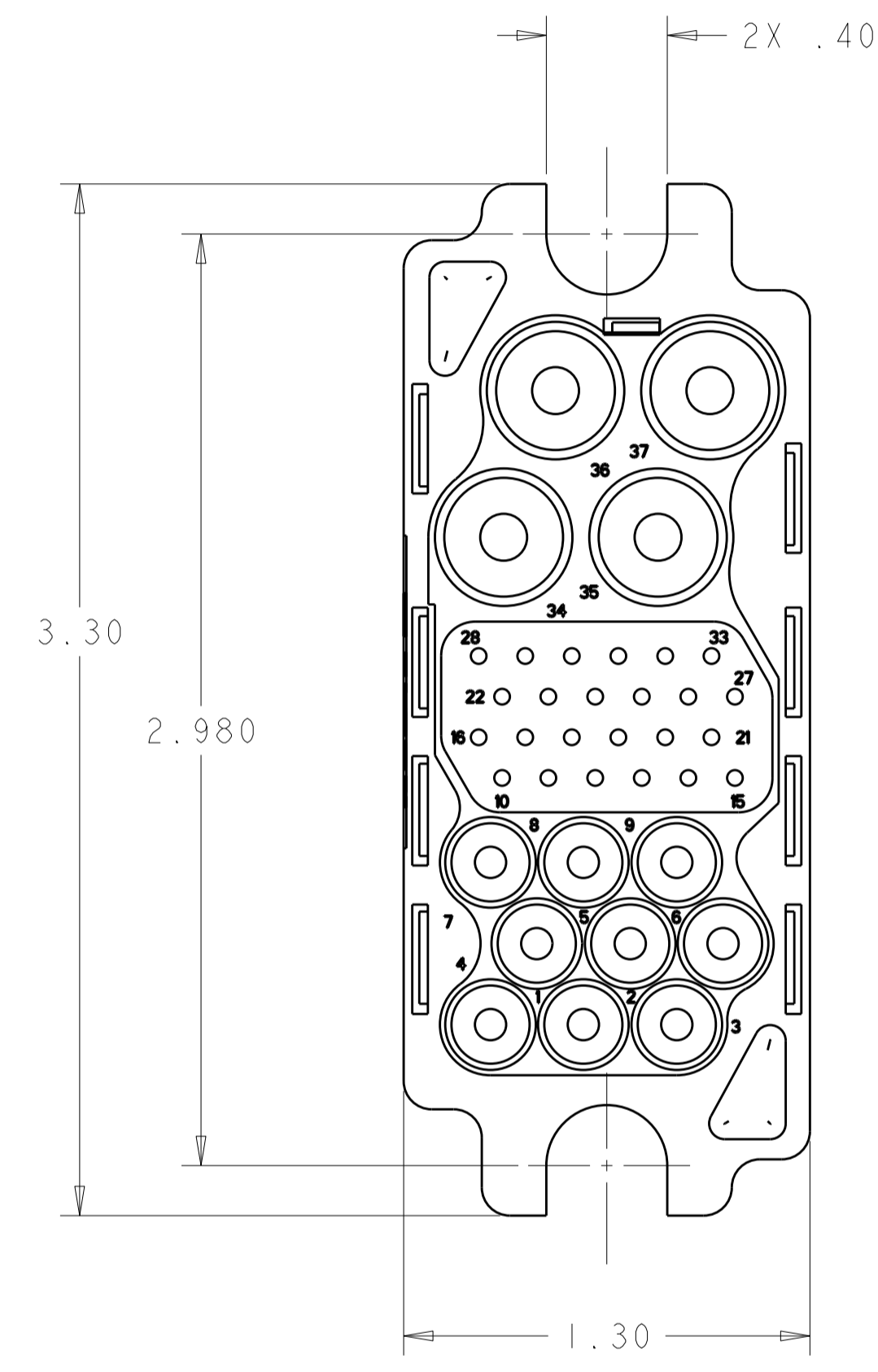


LOC	DIST	REVISIONS					
GP	00	P	LTR	DESCRIPTION	DATE	DWN	APVD
			A	RELEASED	18AUG2009	RG	DO

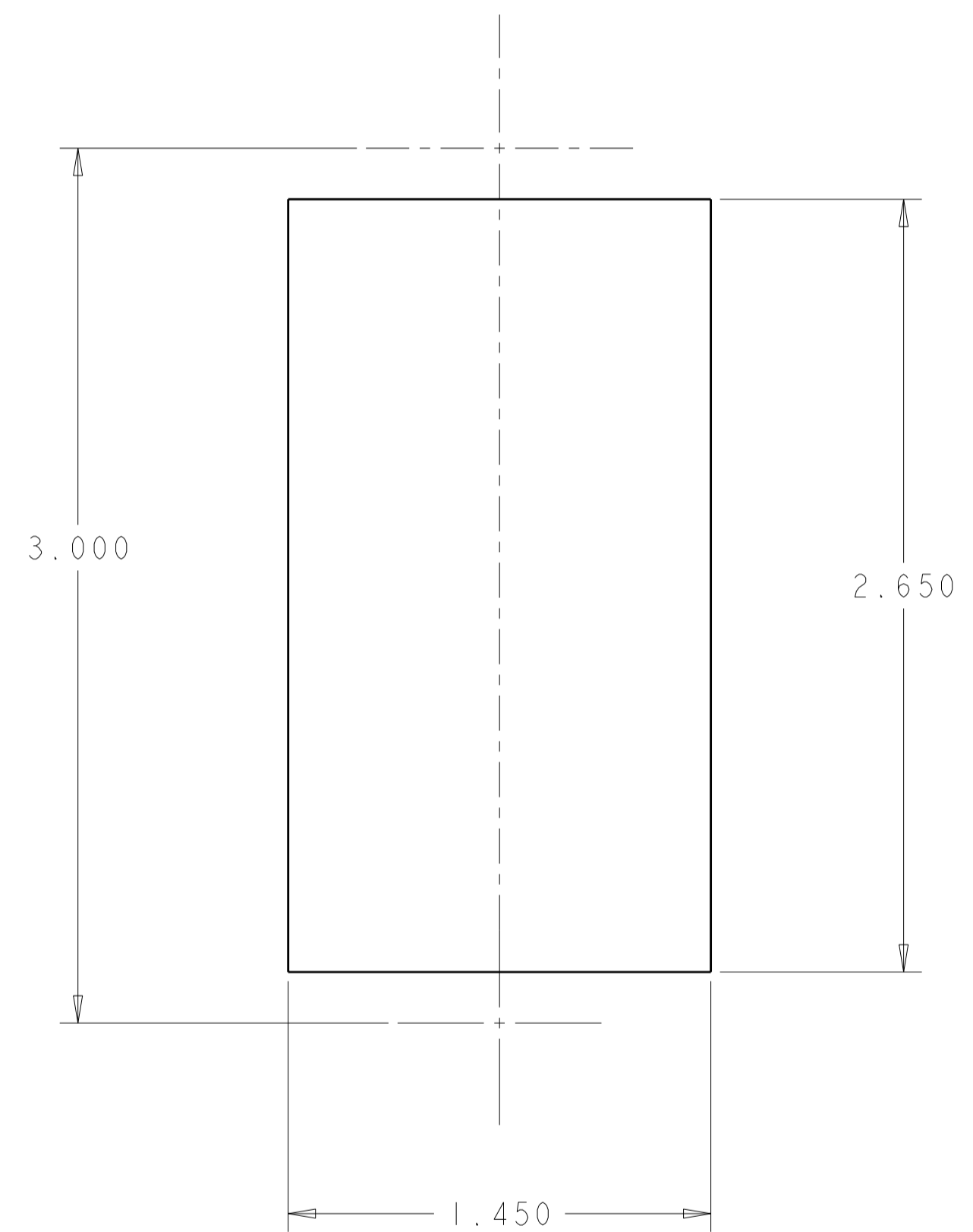


ELCON 75A MIDDLE DRAWER

THIS DRAWING IS A CONTROLLED DOCUMENT FOR TYCO ELECTRONICS CORPORATION IT IS SUBJECT TO CHANGE AND THE CONTROLLING ENGINEERING ORGANIZATION SHOULD BE CONTACTED FOR THE LATEST REVISION.		DWN R.GRZYBOWSKI 3AUG09 CHK D.ORRIS 3AUG09 APVD M.PERCHEK 3AUG09	AS SHOWN 2085276-1
DIMENSIONS: INCHES		TOLERANCES UNLESS OTHERWISE SPECIFIED: 0 PLC ± 1 PLC ± 2 PLC ±.02 3 PLC ±.010 4 PLC ± ANGLES ±.5 FINISH	Tyco Electronics Harrisburg, PA 17105-3608 NAME: PIN CONNECTOR ASSEMBLY CRIMP STYLE MIDDLE DRAWER
MATERIAL: -		PRODUCT SPEC: 108-2285 APPLICATION SPEC: 114-13206 WEIGHT: -	SIZE: A2 CAGE CODE: 00779 DRAWING NO: C-2085276 RESTRICTED TO: -
CUSTOMER DRAWING			SCALE: 4:1 SHEET: 1 OF 2 REV: A

THIS DRAWING IS UNPUBLISHED. RELEASED FOR PUBLICATION 20
 © COPYRIGHT 20 BY TYCO ELECTRONICS CORPORATION. ALL RIGHTS RESERVED.

LOC	DIST	REVISIONS			
P	LTR	DESCRIPTION	DATE	DWN	APVD
GP	00	-	SEE SHEET 1	-	-



SUGGESTED PANEL CUT-OUT
 VIEWED FROM CONNECTOR MOUNTING SIDE

- PART NUMBER CHANGES AND OR DESIGN CHANGES AFFECTING THE INTERCHANGEABILITY REQUIRE PRIOR TYCO ELECTRONICS APPROVAL AND AUTHORIZATION BY REVISION TO THIS DRAWING.
- MATERIAL:
 INSULATOR: THERMOPLASTIC, GLASS REINFORCED, UL 94V-0
 FLAMMABILITY RATED, COLOR: BLACK
 CONTACT: BRASS ROD ALLOY
 CROWN BAND: COPPER ALLOY
 RETENTION CLIP: COPPER ALLOY OR STAINLESS STEEL
- FINISH:
 CONTACTS SIZE #8 : .000200 MIN THK. SILVER OVER
 .000040 MIN NICKEL
 CONTACTS SIZE #12 & 20 : .000010 MIN GOLD OVER
 .000050 MIN NICKEL

△ ITEMS PROVIDED TO THIS SPECIFICATION TO BE PERMANENTLY IDENTIFIED PER THE FOLLOWING IDENTIFIER:

YEAR | WEEK

TYCO ELECTRONICS P/N DATE CODE (e.g. 0216)

XXXXXX-X XXXX

△ CRIMP CONTACTS AND SHOULDER SCREWS (ITEMS B THRU E) SHALL BE PACKAGED SEPARATELY AND PLACED IN THE BOX WITH THE CONNECTOR ASSEMBLY.

△ 2	1650106-1	SCREWS, SHOULDER, 6-32 THD	E
△ 9	1650153-2	CONTACT, PIN, SIZE #12, CRIMP	D
△ 24	1650155-1	CONTACT, PIN, SIZE #20, CRIMP, STD	C
△ 4	1766192-1	CONTACT, PIN, SIZE #8, CRIMP, STD	B
△ 1	1648162-2	HOUSING, PIN, FLOAT MOUNT	A
- 1	PART NUMBER	DESCRIPTION	ITEM

ELCON 75A MIDDLE DRAWER

<small>THIS DRAWING IS A CONTROLLED DOCUMENT FOR TYCO ELECTRONICS CORPORATION IT IS SUBJECT TO CHANGE AND THE CONTROLLING ENGINEERING ORGANIZATION SHOULD BE CONTACTED FOR THE LATEST REVISION.</small>		DWN R. GRZYBOWSKI 3AUG09 CHK D. ORRIS 3AUG09 APVD M. PERCHERKE 3AUG09	tyco Tyco Electronics Harrisburg, PA 17105-3608
DIMENSIONS: INCHES 	TOLERANCES UNLESS OTHERWISE SPECIFIED: 0 PLC ± 1 PLC ±.02 2 PLC ±.010 3 PLC ± 4 PLC ±.5 ANGLES FINISH	PRODUCT SPEC 108-2285 APPLICATION SPEC 114-13206 WEIGHT - CUSTOMER DRAWING	NAME PIN CONNECTOR ASSEMBLY CRIMP STYLE MIDDLE DRAWER SIZE A2 CAGE CODE 00779 DRAWING NO. 2085276 RESTRICTED TO - SCALE 4:1 SHEET 2 OF 2 REV A