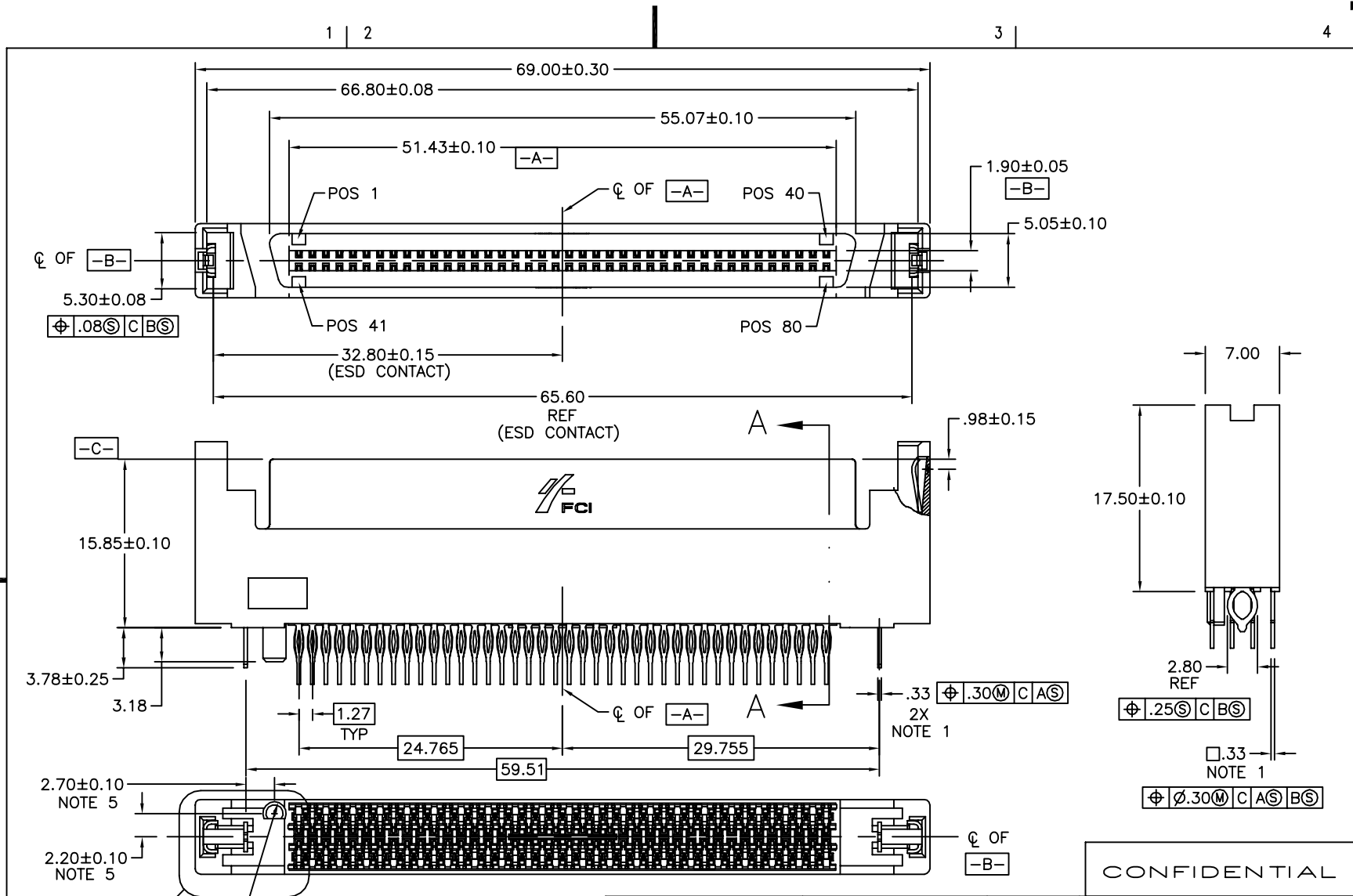


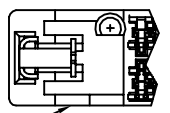
Tous droits strictement reserves. Reproduction ou communication a des tiers interdite sous quelque forme que ce soit sans autorisation ecrite du propriétaire. Propriete de c FCI. Droits de reproduction FCI.

All rights strictly reserved. Reproduction or issue to third parties in any form whatever is not permitted without written authority from the proprietor. Property of FCI. Copyright FCI.



DETAIL B
 Ø2.20
 POLARIZATION PEG
 (SEE CHART)
 NOTE 5

SHORTENED STANDOFF
 ON 72442-XXS AND
 OPTION DESIGN FOR 72442-XXXLF



DETAIL B

mat'l. code		tolerances unless otherwise specified				CUSTOMER COPY
ltr	ecn no	dr	date	linear	.X ±.3	
C	V00519	EPK	2/11/00		.XX ±.13	
D	V00523	EPK	4/6/00		.XXX ±.051	
E	V01970	CGD	8/10/00	angles	0° ±2'	
F	V02706	LSS	10/23/00	dr	M. FETROW 9/24/96	
G	S04-0250	GLL	11/22/04	enr	A. RAISTRICK 9/24/96	MM
H	S04-0275	GLL	12/23/04	chr	GL L00 11/22/04	
				appd	JOEY NG 11/22/04	scale 2:1
sheet index	revision sheet	H	H	H	H	
		1	2	3	4	

CONFIDENTIAL

FCI www.fciconnect.com

title
**SCA-2 & FIBER CHANNEL
 80 POS. RECEPT. ASS'Y EXT. HT.**

product family **SCA-2** code
 size dwg no
A 72442

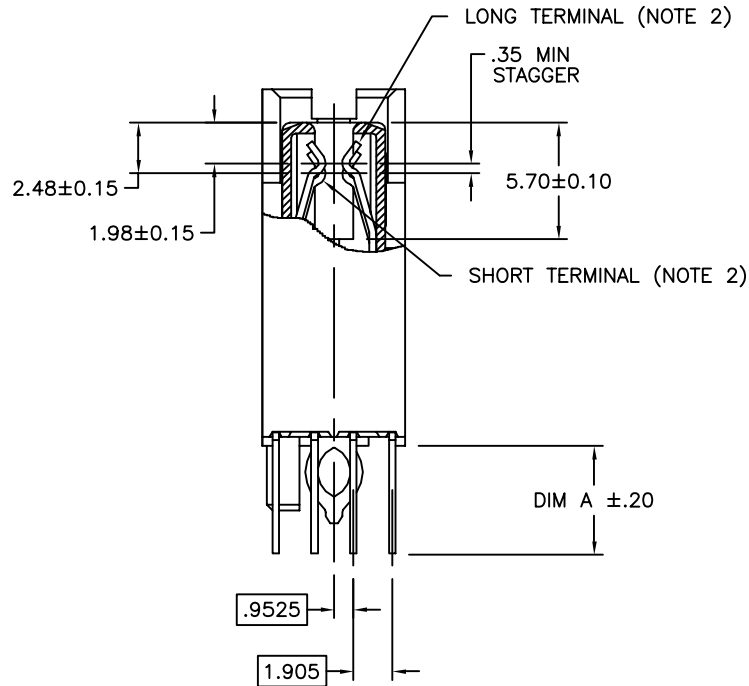
sheet
 1 of 4

cage code
22526

ACAD

Tous droits strictement reserves. Reproduction ou communication a des tiers interdite sous quelque forme que ce soit sans autorisation ecrite du proprietaire. Propriete de c FCI. Droits de reproduction FCI.

All rights strictly reserved. Reproduction or issue to third parties in any form whatever is not permitted without written authority from the proprietor. Property of FCI. Copyright FCI.



SECTION A-A

CONFIDENTIAL

mat'l. code		tolerances unless otherwise specified		CUSTOMER COPY		FCI www.fciconnect.com		
ltr	ecn no	dr	date	linear	.X ±.3	projection	title SCA-2 & FIBER CHANNEL 80 POS. RECEPT. ASS'Y EXT. HT.	
H					.XX ±.13			MM
					.XXX ±.051			
				angles	0° ±2'	scale 2:1	product family SCA-2	
				dr	M. FETROW 9/24/96		code	-
				enr	A. RAISTRICK 9/24/96		size	dwg no
				chr	GL L00 11/22/04		A	72442
				appd	JOEY NG 11/22/04			sheet 2 of 4
sheet index	revision sheet							

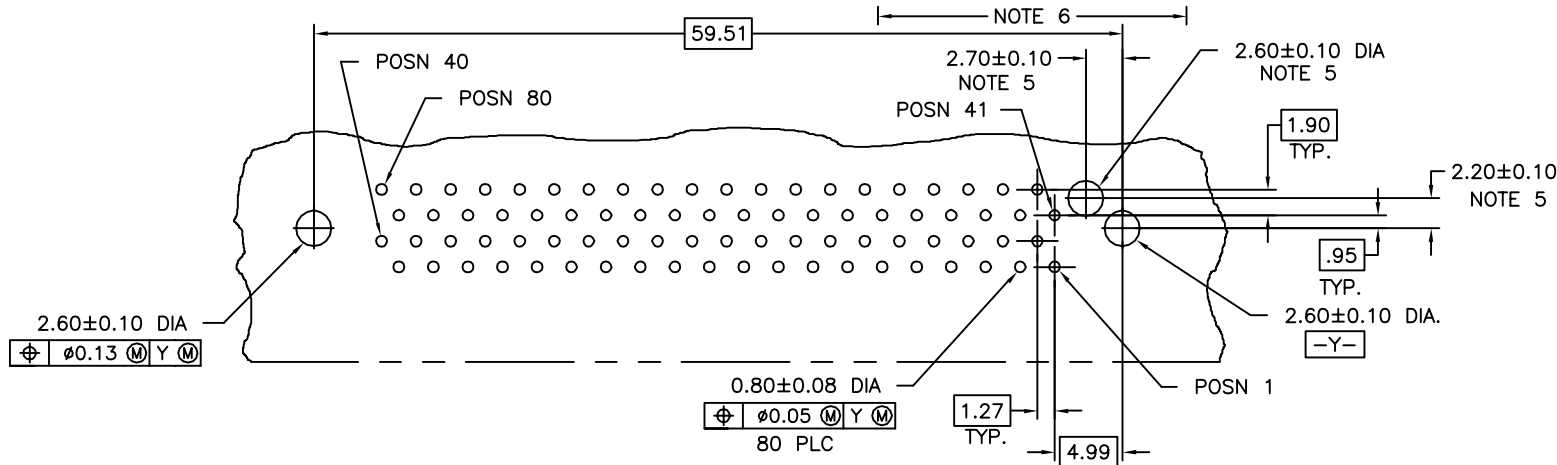
cage code
22526

ACAD

Tous droits strictement reserves. Reproduction ou communication a des tiers interdite sous quelque forme que ce soit sans autorisation ecrite du proprietaire. Propriete de c FCI. Droits de reproduction FCI.

All rights strictly reserved. Reproduction or issue to third parties in any form whatever is not permitted without written authority from the proprietor. Property of FCI. Copyright FCI.

PRODUCT NO.	DIM A	POLARIZATION PEG	PLATING	RECOMMENDED P.C. BOARD THICKNESS	PRODUCT NO.	PLATING
72442-001	3.79	YES	NOTE 4	2.36mm (0.093") AND 3.18mm (0.125")	72442-101	NOTE 6
-001S					-101S	
-002					-102	
-002S	-102S					
-003	-103					
-003S	-103S					
-004	4.60	NO	-104	72442-104S		
72442-004S	4.60		-104S	72442-104S		



NOTES :

- TRUE POSITION NOTES APPLY AT TERMINAL TIP.
- CONTACTS IN POSITIONS 2 THRU 35, 44 AND 47 THRU 74 ARE SHORT TERMINALS.
CONTACTS IN POSITIONS 1, 36 THRU 43, 45, 46, AND 75 THRU 80 ARE LONG TERMINALS.
- RAW MATERIALS:
HOUSING: HTN, UL94V-0, COLOR: BLACK
CONTACTS: PHOSPHOR-BRONZE
- CONTACT PLATING: 30u" (0.76um) MIN. GXT PLATING OVER 50u" (1.27um) NICKLE MIN. UNDERPLATE IN CONTACT AREA. 20u" (0.5um) MIN-60u" (1.5um)MAX TIN-LEAD PLATING OVER 50u" (1.27um) MIN. NICKLE UNDERPLATE IN P.C. BOARD LEG AREA. 50u" (1.27um) MIN. NICKLE UNDERPLATE OVER REMAINING AREA.
- DIMENSIONS DO NOT APPLY TO CONNECTOR STYLES WITHOUT POLARIZATION PEG. (SEE CHART)
- CONTACT PLATING: 30u" (0.76um) MIN. GOLD PLATING OVER 50u" (1.27um) NICKLE MIN. UNDERPLATE IN CONTACT AREA. 20u" (0.5um) MIN-60u" (1.5um)MAX TIN-LEAD PLATING OVER 50u" (1.27um) MIN. NICKLE UNDERPLATE IN P.C. BOARD LEG AREA. 50u" (1.27um) MIN. NICKLE UNDERPLATE OVER REMAINING AREA.

RECOMMENDED PC BOARD MOUNTING DIMENSIONS COMPONENT SIDE

7. PART NUMBERS WITH SUFFIX "S" ARE MANUFACTURED WITH BRIGHT FINISH TIN-LEAD PLATING IN P.C. BOARD LEG AREA.

CONFIDENTIAL

mat'l. code		tolerances unless otherwise specified		CUSTOMER COPY		FCI www.fciconnect.com	
ltr	ecn no	dr	date	linear	.X ±.3	projection	title
H					.XX ±.13	MM	SCA-2 & FIBER CHANNEL
				angles	.XXX ±.051	MM	80 POS. RECEPT. ASS'Y EXT. HT.
				dr	0° ±2'	MM	product family
				enr	M. FETROW 9/24/96	MM	SCA-2
				chr	A. RAISTRICK 9/24/96	MM	code
				appd	GL L00 11/22/04	MM	size
					JOEY NG 11/22/04	MM	dwg no
sheet index	revision sheet					2:1	72442
							code
							22526
							3 of 4

ACAD

PDM: Rev:H

STATUS:Released

Printed: Mar 14, 2007

Tous droits strictement reserves. Reproduction ou communication a des tiers interdite sous quelque forme que ce soit sans autorisation écrite du propriétaire. Propriete de c FCI. Droits de reproduction FCI.

All rights strictly reserved. Reproduction or issue to third parties in any form whatever is not permitted without written authority from the proprietor. Property of FCI. Copyright FCI.



PRODUCT NO.	DIM A	POLARIZATION PEG	PLATING	RECOMMENDED P.C. BOARD THICKNESS	PRODUCT NO.	PLATING
72442-001LF	3.79	YES	NOTE 9	2.36mm (0.093") AND 3.18mm (0.125")	72442-201LF	NOTE 8
-002LF	3.79	NO				
-003LF	4.60	YES				
72442-004LF	4.60	NO				

NOTE 8

NOTES :

- ⑧ CONTACT PLATING: 30u" (0.76um) GOLD PLATING OVER 50u" (1.27um) NICKLE UNDERPLATE IN CONTACT AREA. 20u" (0.5um) - 60u"(1.5um) TIN PLATING OVER 50u" (1.27um) -100u" (2.54um) NICKEL UNDERPLATE IN P.C. BOARD LEG AREA. 50u" (1.27um) NICKEL UNDERPLATE OVER REMAINING AREA.
- ⑨ CONTACT PLATING: 30u" (0.76um) GXT PLATING OVER 50u" (1.27um) NICKLE UNDERPLATE IN CONTACT AREA. 20u" (0.5um) - 60u"(1.5um) TIN PLATING OVER 50u" (1.27um) -100u" (2.54um) NICKEL UNDERPLATE IN P.C. BOARD LEG AREA. 50u" (1.27um) NICKEL UNDERPLATE OVER REMAINING AREA.
- ⑩ THE HOUSING WILL WITHSTAND EXPOSURE TO 260° C PEAK TEMPERATURE FOR 10 SECONDS IN A CONVECTION, INFRA RED VAPOR PHASE REFLOW OVEN.
- ⑪ THIS PRODUCT MEETS EUROPEAN UNION DIRECTIVES AND OTHER COUNTRY REGULATIONS AS DESCRIBED IN GS-22-008.
- 12 PART NUMBERS ENDING IN "LF" MEANS FOR NOTE 11 LEAD FREE IDENTIFICATION.

CONFIDENTIAL

mat'l. code		tolerances unless otherwise specified		CUSTOMER COPY		www.fciconnect.com		
ltr	ecn no	dr	date	linear	.X ±.3	projection		
H					.XX ±.13			
					.XXX ±.051			
				angles	0° ±2'		title SCA-2 & FIBER CHANNEL 80 POS. RECEPT. ASS'Y EXT. HT.	
				dr	M. FETROW 9/24/96			product family
				enr	A. RAISTRICK 9/24/96	size	dwg no	
				chr	GL L00 11/22/04	scale 2:1	A 72442	
				appd	JOEY NG 11/22/04			code
sheet index	revision sheet						sheet	4 of 4

cage code
22526

ACAD