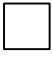

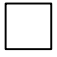
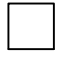
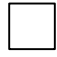


PRODUCT NUMBER
20020004-XXXXXXLF

20020004-      LF



PITCH
C: 3.50 mm
D: 3.81 mm

POLES
02: 2 POLES
03: 3 POLES
04: 4 POLES
|
24: 24 POLES

LF : DENOTED RoHS COMPATIBLE



1 : STANDARD PRODUCT
W/ BOX PACKING

SCREW CODE

PROPERTY TABLE			
FCI SERIES NAME		01-350	01-381
PITCH (mm)		3.50	3.81
VOLTAGE RATING (VAC)		300	300
CURRENT RATING (A)	cULus	10	10
	VDE	10.5	10.5
APPLICABLE WIRE RANGE (AWG)	1-WIRE	16~26	16~26
	2-WIRE	20	20
WIRE CROSS SECTION (mm ²)	SOLID	1-WIRE	1.5
		2-WIRE	0.5
	STRANDED	1-WIRE	1.5
		2-WIRE	0.75
OPENING CONTACT HOUSING(mm ²)		1.6x2.5	1.7x2.5
WIRE STRIP LENGTH(mm)		6~7	6~7
TORQUE +/- 10% (N-m/Lb-in)		0.23/2.0	0.23/2.0
SCREW		M2x0.4	M2x0.4
WITHSTANDING VOLTAGE (kV)	cULus	1.6	1.6
	VDE	2.5	2.5
OPERATING TEMP. (°C)		-40~+115	-40~+115
POLES AVAILABLE		02~24	02~24
SAFETY CERTIFICATE		 	

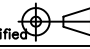
HOUSING CODE

CODE	COLOR	AVAILABILITY
1	GREEN(RAL 6018/T)	STANDARD
2	BLACK	ON REQUEST ONLY
3	GREY(RAL 7004/P)	ON REQUEST ONLY
4	BLUE(RAL 5015/A)	ON REQUEST ONLY

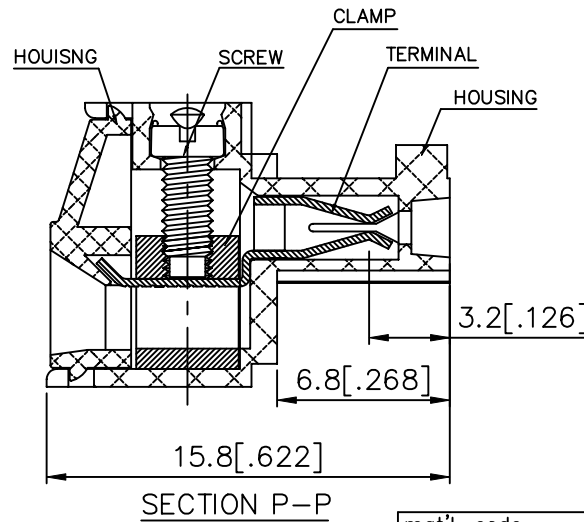
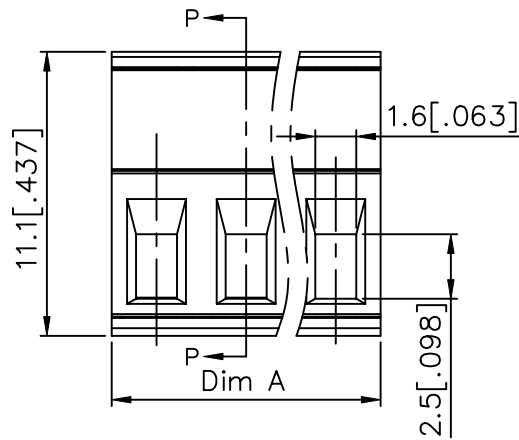
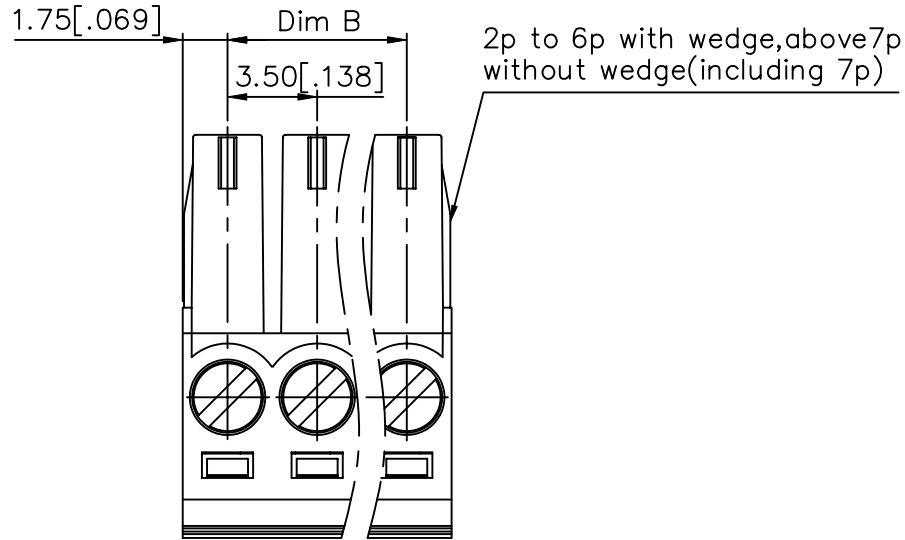
CODE	SCREW TYPE	AVAILABILITY
A	-/+ 	ON REQUEST ONLY
B	- 	STANDARD

NOTES:

- MATERIALS
1-1 HOUSING: THERMALPLASTIC RESIN, UL 94V-0 RATED.
1-2 SCREW: STEEL, ZINC PLATED.
1-3 CLAMP: COPPER ALLOY, NICKEL PLATED.
1-4 TERMINAL: COPPER ALLOY, TIN PLATED.
- PRODUCT SPECIFICATION REFER TO FCI GS-12-625.
- BOXED PACKAGING,
DETAILED PRODUCT PACKING SPECIFICATION REFER TO FCI GS-14-1394.
- FCI, SAFETY CERTIFICATE LOGO AND SERIES NAME TO BE SHOWN ON PRODUCT SURFACE.
- THE PRODUCTS WHERE THE PART NUMBER END IN "LF" MEET THE EUROPEAN UNION DIRECTIVE AND OTHER COUNTRY REGULATIONS AS DESCRIBED IN GS-22-008.

mat'l. code				surface ASME Y14.5 ✓ / tolerance ASME Y14.5		projection 		product family TERMINAL BLOCK	
ltr	ecn no	dr	date	tolerances unless otherwise specified		MM [INCH]		title	
E	T10-0127	WL	080910	angles	X.±0.5[.020]			TERMINAL BLOCK	
F	T10-0147	WL	091310	to 1°	X.X±0.3[.012]			PLUGGABLE PLUG, SIGNAL, W/O FLANGE	
G	T10-0159	WL	100410	X°±1°	X.XX±0.1[.004]	scale		CONTACT UP SIDE	
H	T10-0187	WL	121410	dr	BEER FU	062509	FCI		dwg no 20020004
J	T10-0193	WL	122310	enr	BEER FU	062509			sheet 1 of 3 size A4
K	T11-0013	WL	040811	chr	GARY HSIEH	062509			
L	T-004746	WL	072011	appd	JOSEPH HSIA	062509			type CUSTOMER Drawing
sheet index	revision	L	L	L					
	sheet	1	2	3					

PRODUCT NUMBER	SERIES NAME	PITCH
20020004-CXXXXXL	01-350	3.50 mm



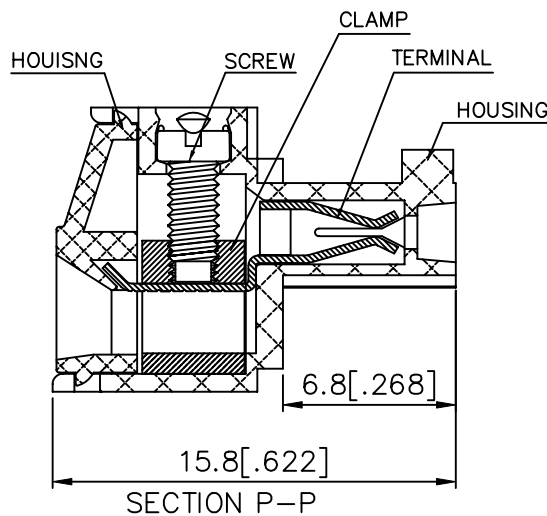
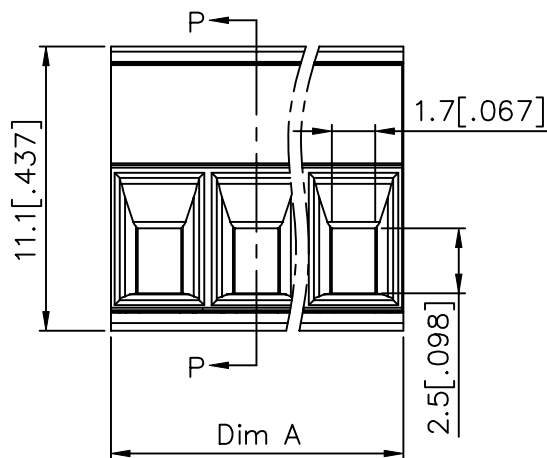
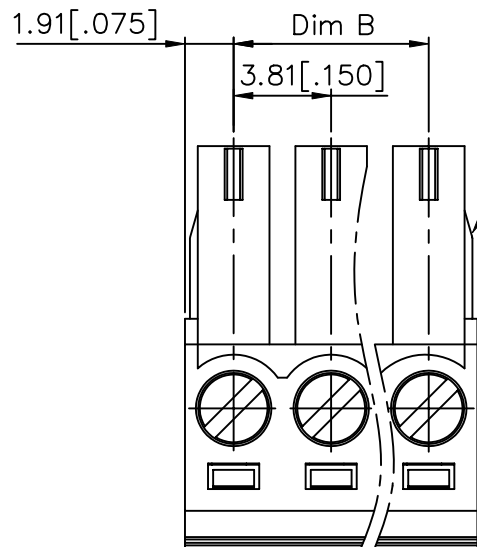
N = Number of Poles
Dim A = $N \times 3.5$ [.138]
Dim B = $(N-1) \times 3.5$ [.138]

POLES	Dim A	Dim B
2-6p	± 0.15 [.006]	
7-12p	± 0.20 [.008]	
13-18p	± 0.25 [.010]	
19-24p	± 0.30 [.012]	

mat'l. code		surface ASME Y14.5 ✓	tolerance ASME Y14.5	projection [Symbol]	product family TERMINAL BLOCK				
ltr	ecn no	dr	date	tolerances unless otherwise specified	title				
L				<table border="1"> <tr> <td>angles</td> <td>MM</td> </tr> <tr> <td>X ± 1°</td> <td>[INCH]</td> </tr> </table>	angles	MM	X ± 1°	[INCH]	TERMINAL BLOCK PLUGABLE, PLUG, SIGNAL, W/O FLANGE
angles	MM								
X ± 1°	[INCH]								
dr	BEER FU	062509		scale	sheet 2 of 3 size				
enr	BEER FU	062509			20020004 A4				
chr	GARY HSIEH	062509			type	CUSTOMER Drawing			
app	JOSEPH HSIA	062509							
sheet index	revision sheet								



PRODUCT NUMBER	SERIES NAME	PITCH
20020004-DXXXXXLf	01-381	3.81 mm



N = Number of Poles
 Dim A = $N \times 3.81 [.150]$
 Dim B = $(N-1) \times 3.81 [.150]$

POLES	Dim A	Dim B
2-6p	$\pm 0.15 [.006]$	
7-12p	$\pm 0.20 [.008]$	
13-18p	$\pm 0.25 [.010]$	
19-24p	$\pm 0.30 [.012]$	

mat'l. code		surface ASME Y14.5 ✓	tolerance ASME Y14.5	projection 	product family TERMINAL BLOCK
ltr	ecn no	dr	date	tolerances unless otherwise specified	title
L				angles to free X. $\pm 0.5 [.020]$ X.X $\pm 0.3 [.012]$ X* $\pm 1^*$ X.XX $\pm 0.1 [.004]$	TERMINAL BLOCK PLUGABLE, PLUG, SIGNAL, W/O FLANGE
		dr	BEER FU	062509	dwg no
		enr	BEER FU	062509	sheet 3 of 3
		chr	GARY HSIEH	062509	20020004
		app	JOSEPH HSIA	062509	A4
sheet index	revision sheet				type CUSTOMER Drawing

