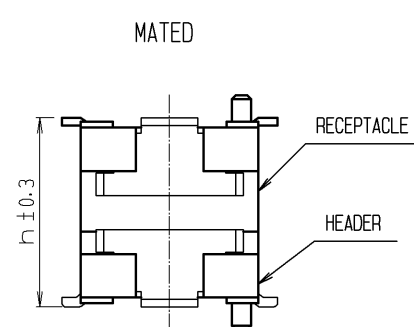


| CODE NO.        | CONTACT | A    | B    | C    | D    | E    | F    | G    | H    | J    |
|-----------------|---------|------|------|------|------|------|------|------|------|------|
| CL683-0042-7-57 | 20      | 10   | 6.8  | 5.5  | 4.5  | 9.8  | 8.2  | 7    | 10.4 | 7.6  |
| CL683-0043-0-57 | 30      | 12.5 | 9.3  | 8    | 7    | 12.3 | 10.7 | 9.5  | 12.9 | 10.1 |
| CL683-0044-2-57 | 40      | 15   | 11.8 | 10.5 | 9.5  | 14.8 | 13.2 | 12   | 15.4 | 12.6 |
| CL683-0045-5-57 | 50      | 17.5 | 14.3 | 13   | 12   | 17.3 | 15.7 | 14.5 | 17.9 | 15.1 |
| CL683-0046-8-57 | 60      | 20   | 16.8 | 15.5 | 14.5 | 19.8 | 18.2 | 17   | 20.4 | 17.6 |
| CL683-0047-0-57 | 70      | 22.5 | 19.3 | 18   | 17   | 22.3 | 20.7 | 19.5 | 22.9 | 20.1 |
| CL683-0048-3-57 | 80      | 25   | 21.8 | 20.5 | 19.5 | 24.8 | 23.2 | 22   | 25.4 | 22.6 |

NOTES ① LEAD CO-PLANARITY INCLUDE REINFORCED METAL FITTINGS SHALL BE 0.1mm MAX.  
 ② WATCH NOT LET THE CONTACTS TOUCH THE SECTION ESPECIALLY WHEN THE PADS OF AREA NOT RESIST FINISHED.

| MATED HEIGHT(h)         |                         | (mm) |
|-------------------------|-------------------------|------|
| HEADER NO.              | RECEPTACLE NO.          |      |
|                         | DF17#(4.0)-*DS-0.5V(57) |      |
| DF17#(2.0)-*DP-0.5V(57) |                         | 6    |
| DF17#(4.0)-*DP-0.5V(57) |                         | 8    |



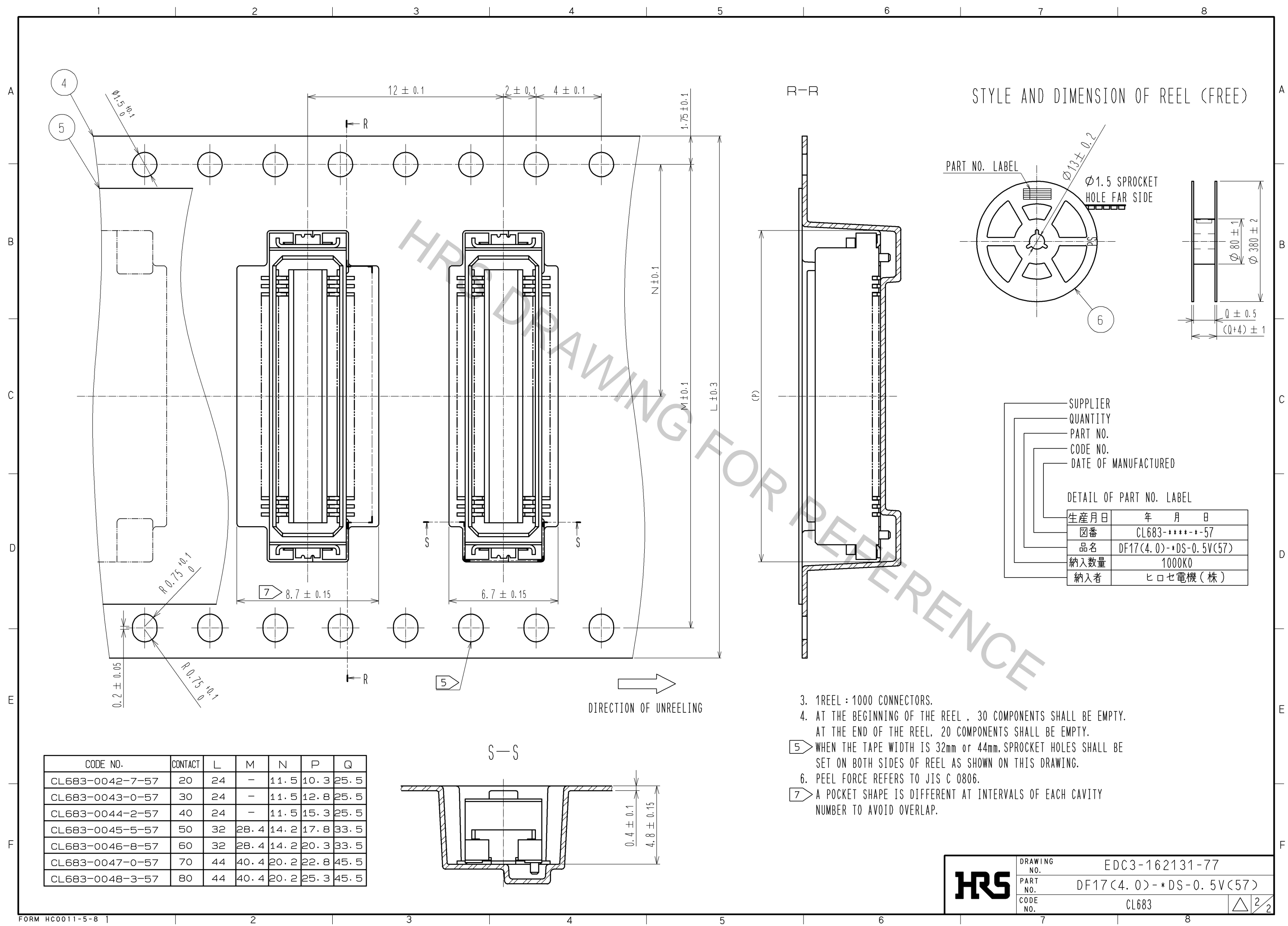
| NO. | MATERIAL         | FINISH . REMARKS  | NO. | MATERIAL        | FINISH . REMARKS  |
|-----|------------------|---|-----|-----------------|---|
| 2   | POLYAMIDE (PA6T) | WHITE BEIGE , UL94V-0   | 6   | PS              | BLACK(PLASTIC REEL)   |
|     |                  |   | 5   | POLYESTER       | CLEAR (COVER TAPE)  |
| 1   | PHOSPHER BRONZE  | CONTACT AREA : GOLD PLATED 0.1µm min<br>LEAD AREA : TIN PLATED 1µm min<br>UNDER PLATING : NICKEL PLATED 1µm min | 4   | PS              | CLEAR (EMBOSSED CARRIER TAPE)                                 |
|     |                  |   | 3   | PHOSPHER BRONZE | TIN PLATED : 1µm min<br>UNDER PLATING : NICKEL PLATED 1µm min |

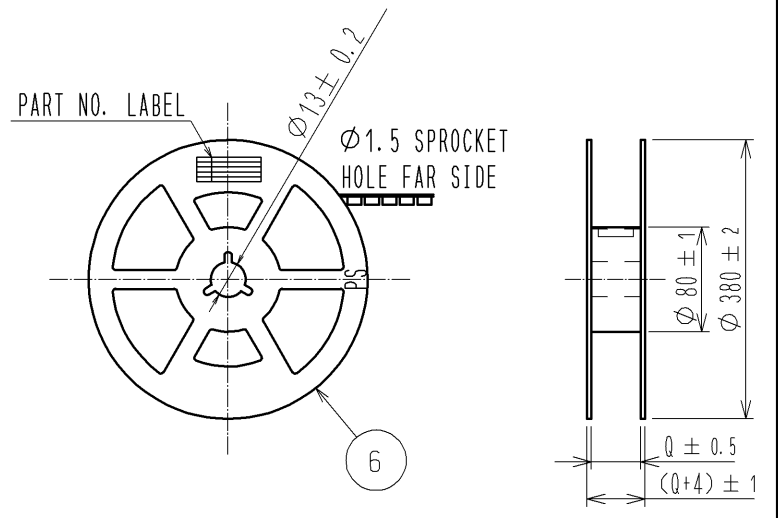
| UNITS | SCALE | COUNT | DESCRIPTION OF REVISIONS | DESIGNED | CHECKED | DATE |
|-------|-------|-------|--------------------------|----------|---------|------|
| mm    | 5 : 1 | △     |                          |          |         |      |

|                        |          |             |                        |
|------------------------|----------|-------------|------------------------|
| APPROVED : KH. IKEDA   | 11.11.30 | DRAWING NO. | EDC3-162131-77         |
| CHECKED : TS. MIYAZAKI | 11.11.30 | PART NO.    | DF17(4.0)-*DS-0.5V(57) |
| DESIGNED : YH. MICHIDA | 11.11.30 | CODE NO.    | CL683                  |
| DRAWN : YH. MICHIDA    | 11.11.30 |             |                        |



STYLE AND DIMENSION OF REEL (FREE)



- SUPPLIER
- QUANTITY
- PART NO.
- CODE NO.
- DATE OF MANUFACTURED

DETAIL OF PART NO. LABEL

|      |                        |
|------|------------------------|
| 生産月日 | 年 月 日                  |
| 図番   | CL683-****-57          |
| 品名   | DF17(4.0)-*DS-0.5V(57) |
| 納入数量 | 1000K0                 |
| 納入者  | ヒロセ電機(株)               |

| CODE NO.        | CONTACT | L  | M    | N    | P    | Q    |
|-----------------|---------|----|------|------|------|------|
| CL683-0042-7-57 | 20      | 24 | -    | 11.5 | 10.3 | 25.5 |
| CL683-0043-0-57 | 30      | 24 | -    | 11.5 | 12.8 | 25.5 |
| CL683-0044-2-57 | 40      | 24 | -    | 11.5 | 15.3 | 25.5 |
| CL683-0045-5-57 | 50      | 32 | 28.4 | 14.2 | 17.8 | 33.5 |
| CL683-0046-8-57 | 60      | 32 | 28.4 | 14.2 | 20.3 | 33.5 |
| CL683-0047-0-57 | 70      | 44 | 40.4 | 20.2 | 22.8 | 45.5 |
| CL683-0048-3-57 | 80      | 44 | 40.4 | 20.2 | 25.3 | 45.5 |

DIRECTION OF UNREELING

3. 1 REEL : 1000 CONNECTORS.
4. AT THE BEGINNING OF THE REEL , 30 COMPONENTS SHALL BE EMPTY.  
AT THE END OF THE REEL , 20 COMPONENTS SHALL BE EMPTY.
- 5 WHEN THE TAPE WIDTH IS 32mm or 44mm. SPROCKET HOLES SHALL BE SET ON BOTH SIDES OF REEL AS SHOWN ON THIS DRAWING.
6. PEEL FORCE REFERS TO JIS C 0806.
- 7 A POCKET SHAPE IS DIFFERENT AT INTERVALS OF EACH CAVITY NUMBER TO AVOID OVERLAP.

|            |             |                        |
|------------|-------------|------------------------|
| <b>HRS</b> | DRAWING NO. | EDC3-162131-77         |
|            | PART NO.    | DF17(4.0)-*DS-0.5V(57) |
|            | CODE NO.    | CL683                  |
|            |             | △ 2/2                  |