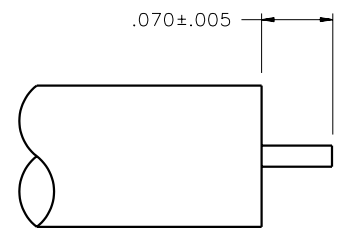
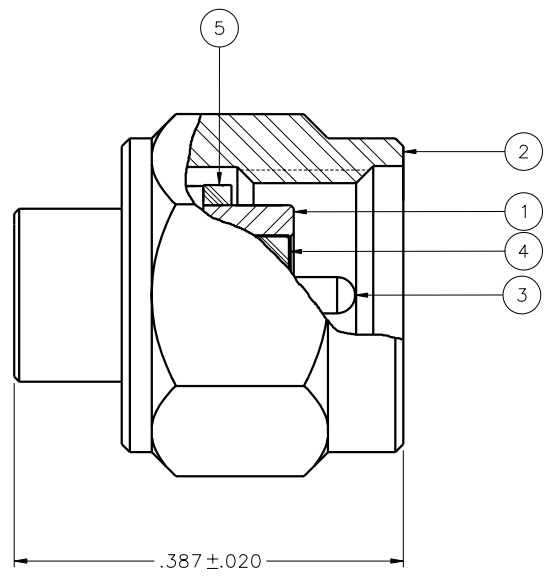


PART NUMBER	ITEM ① BODY	ITEM ② NUT	ITEM ③ CONTACT	ITEM ④ INSULATOR	ITEM ⑤ GASKET
145-0694-001	STAINLESS STEEL GOLD PL .00001 MIN OVER NICKEL PL .00005 MIN OVER COPPER PL .00005 MIN	STAINLESS STEEL GOLD PL .00001 MIN OVER NICKEL PL .00005 MIN OVER COPPER PL .00005 MIN	BERYLLIUM COPPER GOLD PL .00005 MIN OVER NICKEL PL .00005 MIN OVER COPPER PL .00005 MIN	TEFLON	SILICONE
145-0694-002	STAINLESS STEEL GOLD PL .00001 MIN OVER NICKEL PL .00005 MIN OVER COPPER PL .00005 MIN	STAINLESS STEEL PASSIVATED	BERYLLIUM COPPER GOLD PL .00005 MIN OVER NICKEL PL .00005 MIN OVER COPPER PL .00005 MIN	TEFLON	SILICONE

DRAWING NO.
C - 145-0694/001/010
0 REVISIONS
ENGINEERING RELEASE
1 6-13-03 R L T R H G A B ECN 48931



CABLE STRIP DIMENSIONS



NOTES:

- SPECIFICATIONS:
 - IMPEDANCE: 50 OHMS
 - FREQUENCY RANGE: 0-40 GHZ
 - VSWR: 1.20 MAX
 - WORKING VOLTAGE: 335 VRMS MAX AT SEA LEVEL
 - DIELECTRIC WITHSTANDING VOLTAGE: 1500 VRMS MIN AT SEA LEVEL
 - INSULATION RESISTANCE: 5000 MEGOHM MIN
 - CONTACT RESISTANCE:
 - CENTER CONTACT - INITIAL 3.0 MILLIOHM MAX, AFTER ENVIRONMENTAL 4.0 MILLIOHM MAX
 - OUTER CONDUCTOR - INITIAL 2.0 MILLIOHM MAX, AFTER ENVIRONMENTAL NOT APPLICABLE
 - BODY TO CABLE - 0.5 MILLIOHM MAX
 - CORONA LEVEL: 250 VOLTS MIN AT 70,000 FEET
 - INSERTION LOSS: .03√F (F IN GHZ) AT 10 GHZ
 - RF LEAKAGE: -90 DB MIN AT 2.5 GHZ
 - RF HIGH POTENTIAL WITHSTANDING VOLTAGE: 670 VRMS AT 4 AND 7 MHZ MIN
- MECHANICAL:
 - ENGAGE/DISENGAGE TORQUE: 2 INCH-POUNDS MAX
 - MATING TORQUE: 7-10 INCH POUNDS
 - COUPLING PROOF TORQUE: 15 INCH-POUNDS MIN
 - COUPLING NUT RETENTION: 60 LBS MIN
 - CONTACT RETENTION: NOT APPLICABLE
 - CABLE ACCEPTABILITY: RG 402 - DIA .141 SEMIRIGID
 - CABLE HEX CRIMP SIZE: NOT APPLICABLE
 - CABLE RETENTION: 30 LBS MIN AXIAL FORCE
16 INCH-OUNCE MIN TORQUE
- ENVIRONMENTAL:
 - (MEETS OR EXCEEDS THE APPLICABLE PARAGRAPH OF MIL-C-39012)
 - THERMAL SHOCK: MIL-STD-202, METHOD 107, CONDITION B, EXCEPT 115 DEG C HIGH TEMP
 - OPERATING TEMPERATURE: -65 DEG C TO 165 DEG C
 - CORROSION: MIL-STD-202, METHOD 101, CONDITION B
 - SHOCK: MIL-STD-202, METHOD 213, CONDITION I
 - VIBRATION: MIL-STD-202, METHOD 204, CONDITION D
 - MOISTURE RESISTANCE: MIL-STD-202, METHOD 106

CUSTOMER DRAWING
THIS DRAWING TO BE INTERPRETED PER ANS Y 14.5M - 1982
"μ STATION"
COMPANY CONFIDENTIAL

TOLERANCE UNLESS OTHERWISE SPECIFIED	DRAWN BY RSH	DATE 1-10-03	<p>Cinch Connectivity Solutions 299 Johnson Ave. Ste. 100 Waseca, MN 56093 1-800-247-8256</p>
DECIMALS .XX	CHECKED BY	DATE	
MATL	APPROVED BY TAK	DATE 7-7-03	TITLE PLUG ASSEMBLY, STRAIGHT CABLED, RG 402 SMK (2.92mm)
FINISH	APPROVED BY RJB	DATE 7-7-03	CODE NO.
	RELEASE DATE		DRAWING NO. C - 145-0694-001/010
			SCALE 10:1 U/M INCH SHEET 2 OF 2