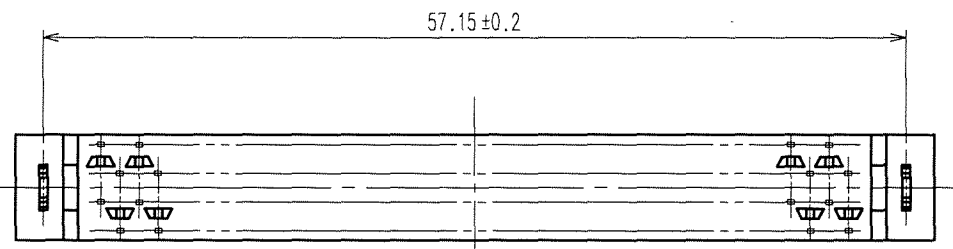
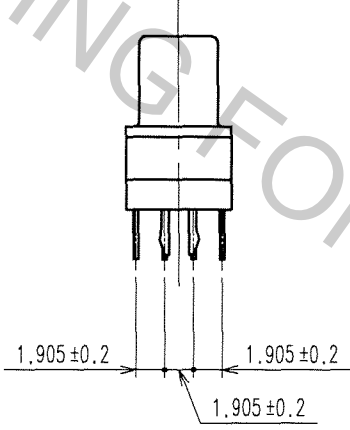
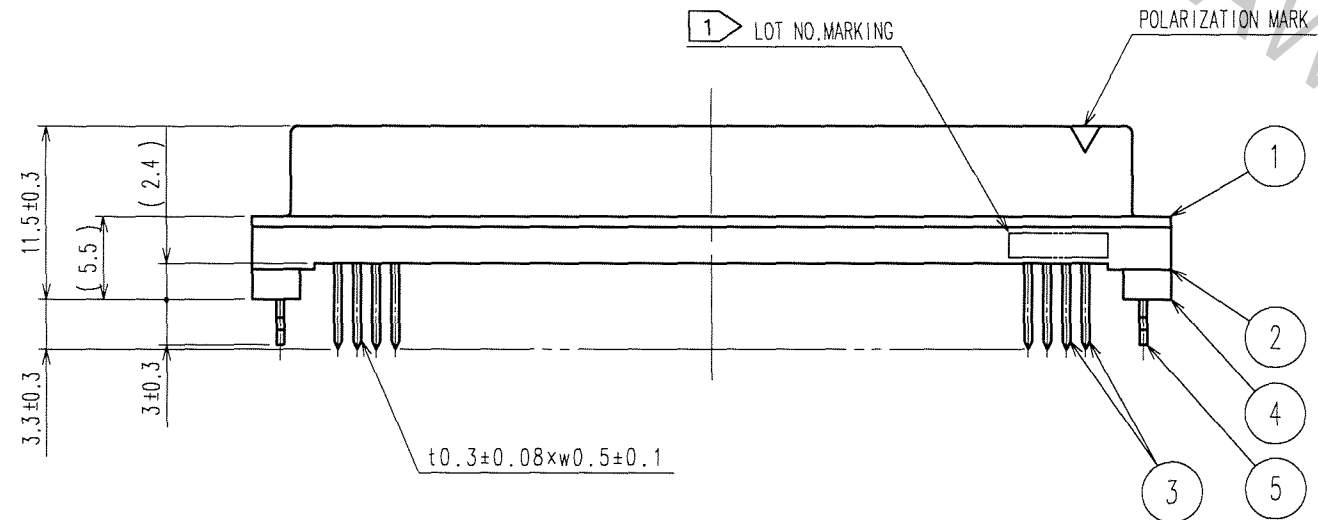
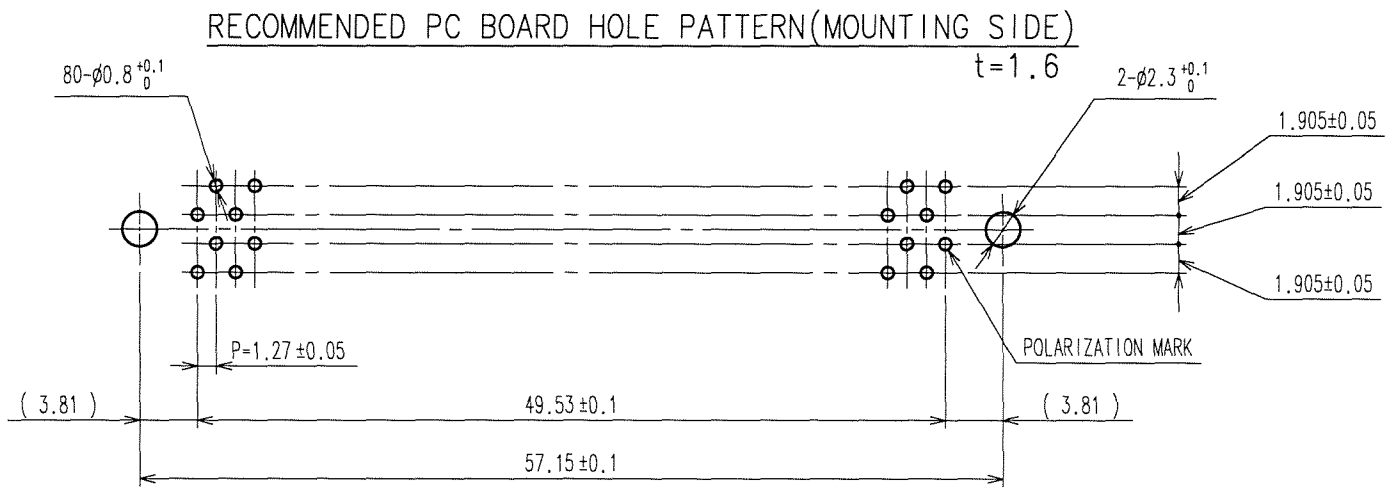
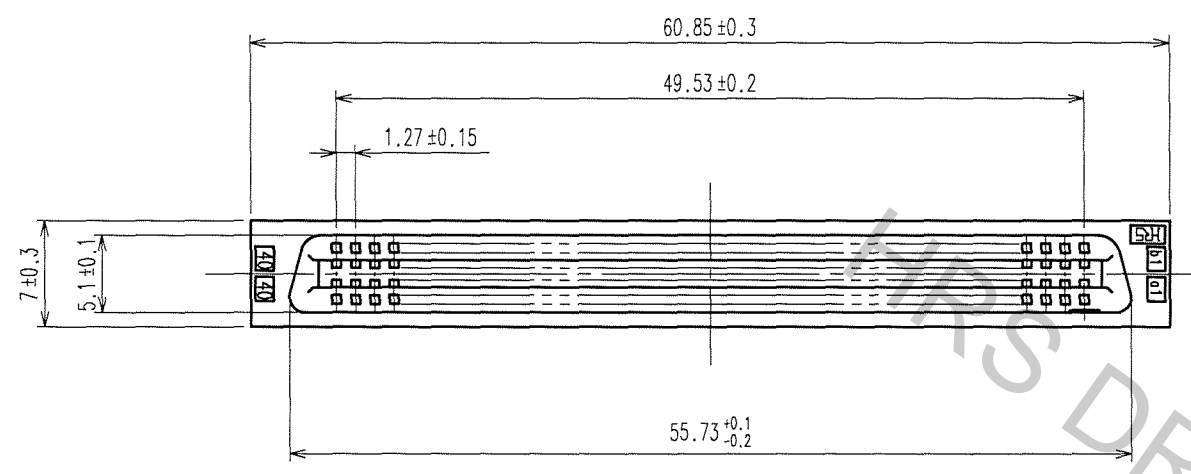


Apr.1.2017 Copyright 2017 HIROSE ELECTRIC CO., LTD. All Rights Reserved.

5					7				
COUNT	DESCRIPTION OF REVISIONS	BY	CHKD	DATE	COUNT	DESCRIPTION OF REVISIONS	BY	CHKD	DATE
△					△				
△					△				
△					△				



NOTES 1 LOT NO. MARKING SIDE SHALL BE OPTIONAL.  
2. THE DIMENSIONS IN PARENTHESES ARE FOR REFERENCE.

TO  
PCK

5	PHOSPHOR BRONZE	TIN-PLATING								CONTACT AREA : GOLD 0.2μ m min.	
4	POLYAMIDE	BLACK, UL94V-0			3	PHOSPHOR BRONZE				DIP AREA : TIN-PLATING 2μ m min.	
1,2	POLYAMIDE	BLACK, UL94V-0								UNDER PLATING : NICKEL 2μ m min.	
NO.	MATERIAL	FINISH, REMARKS	NO.	MATERIAL	FINISH, REMARKS						
CODE NO. (OLD) CL			DRAWN	DESIGNED	CHECKED	APPROVED	RELEASED				
			S.KAMIGA	Makamura	(Gyowa)	H. Okawa					
			'06.10.06	'06.10.10	'06.10.10	'06.10.10					
DRAWING NO. EDC3-083225-21			PART NO. FX2C2-80S-1.27DSAL(71)								
SCALE 2 : 1			UNITS mm			CODE NO. CL572-2477-9-71			1/1		
HRS HIROSE ELECTRIC CO., LTD											