

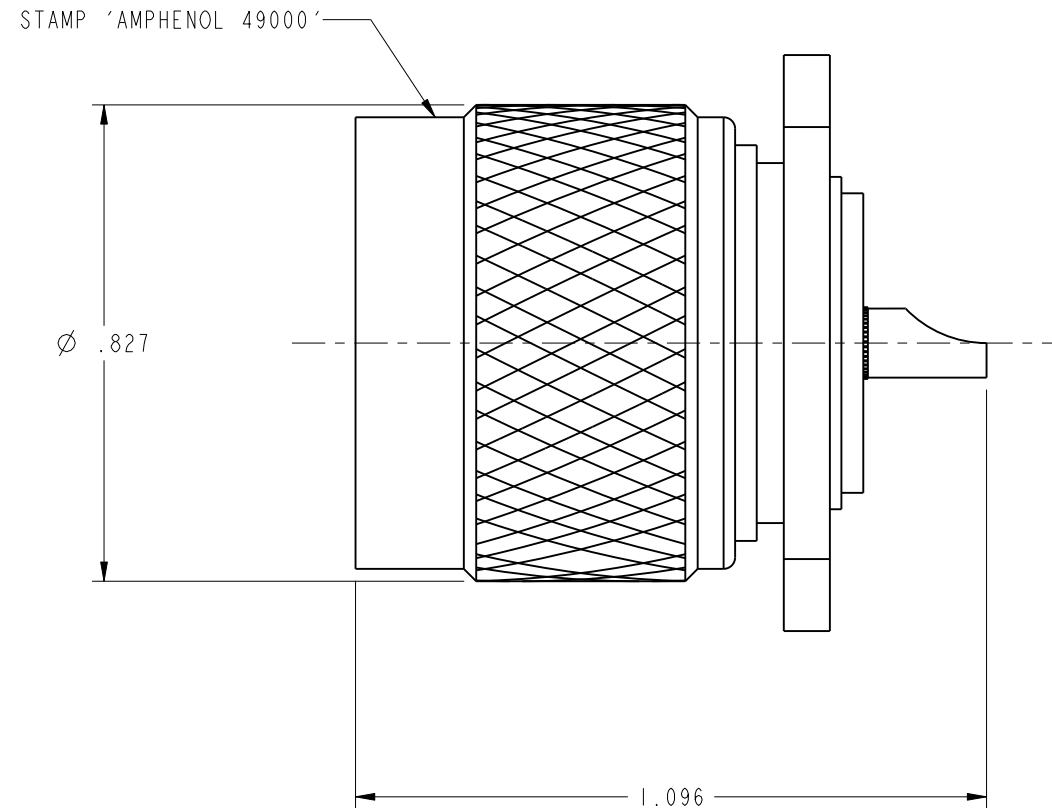
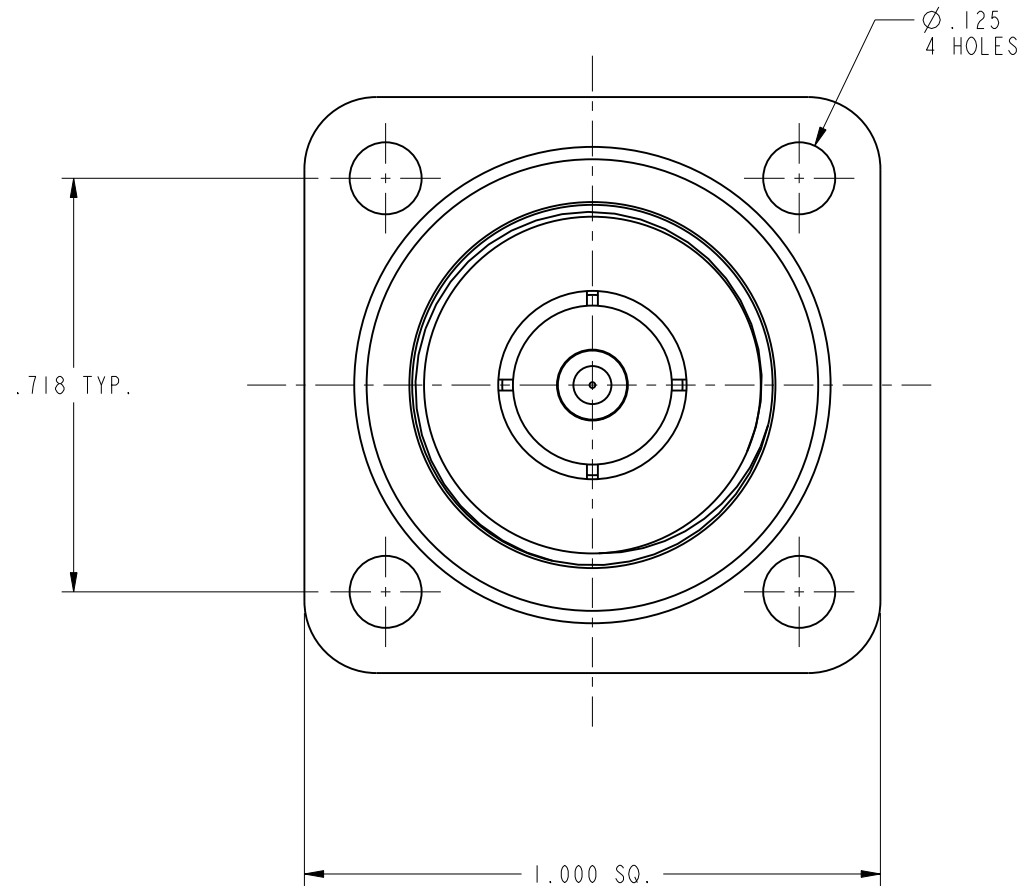
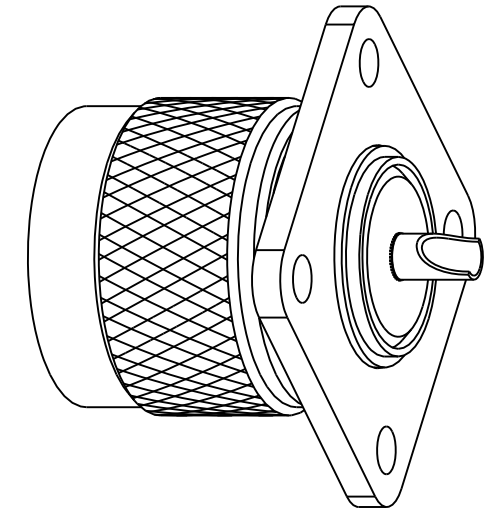
NOTES:

1. MATERIALS AND FINISHES:
  - BODY/FLANGE S/A - BRASS, SILVER PLATING (.000200 MIN THICK)
  - CONTACT & OUTER CONTACT - BRASS, SILVER PLATING (.000200 MIN THICK)
  - INSULATORS (2) - CO-POLYMER OF STYRENE
  - GASKET - SILICONE RUBBER
  - COUPLING NUT - BRASS, NICKEL PLATING (.000100 MIN THICK)
  - RETAINING RING - PHOSPHOR BRONZE
  - RETAINING RING - BERYLLIUM COPPER
2. ELECTRICAL:
  - A. IMPEDANCE: 50 OHM
  - B. FREQUENCY RANGE: DC - 11 GHz
  - C. VSWR(RETURN LOSS): 1.3 (17.69 dB), MAX.
  - D. DIELECTRIC WITHSTANDING VOLTAGE: 2,500 VRMS, MIN.
3. MECHANICAL:
  - A. TEMPERATURE RANGE: -55° C TO +85° C
4. PACKAGING:
  - A. QUANTITY: SINGLE PACK
  - B. MARKING: BAG TO BE MARKED  
"AMPHENOL, 49000, AND DATE CODE"

THIRD ANGLE PROJ.

REVISIONS

REV	DESCRIPTION	DATE	ECO	APPR
T	RELEASE TO MFG	----	----	
T	SEE SHEET 1	4/22/10	48046	CPM



**CUSTOMER OUTLINE DRAWING**

ALL OTHER SHEETS ARE FOR INTERNAL USE ONLY

UNLESS OTHERWISE SPECIFIED, DIMENSIONS ARE IN METRIC AND TOLERANCES ARE:  
 <0.5mm ±0.05mm    0.5 - 6mm ±0.1mm    6 - 30mm ±0.2mm    30 - 120mm ±0.3mm    ANGLES ±1°

NOTICE - These drawings, specifications, or other data (1) are, and remain the property of Amphenol corp. (2) must be returned upon request; and (3) are confidential and not to be disclosed to any person other than those to whom they are given by Amphenol Corp. the finishing of these drawings, specifications, or other data by Amphenol Corp., or to any other person to anyone for any purpose is not to be regarded by implication or otherwise in any manner licensing, granting rights to permitting such holder or any other sperson to manufacture, use or sell any product, process or design, patented or otherwise, that may in any way be related to or disclosed by said drawings, specifications, or other data.

MATERIAL	DRAWN C. McGRATH	DATE 30-Mar-10	TITLE TYPE N PANEL MOUNTED MALE RECEPTACLE	Amphenol RF Danbury CT USA, Tainan, Taiwan, Shenzhen, China www.amphenolrf.com	
REFERENCE AND CONFIGURATION LEVEL: Prototype	ENGINEER K. CAPOZZI	DATE 30-Mar-10		DRAWING NO. 49000	
FINISH	APPROVED K. CAPOZZI	DATE 4/21/10	SCALE: 2.0:1.0	SHEET 2 OF 2	ITEM NO. 49000
	CAD FILE Root Folder/N/49000		DWG SIZE B	REV T	PART NO. 49000