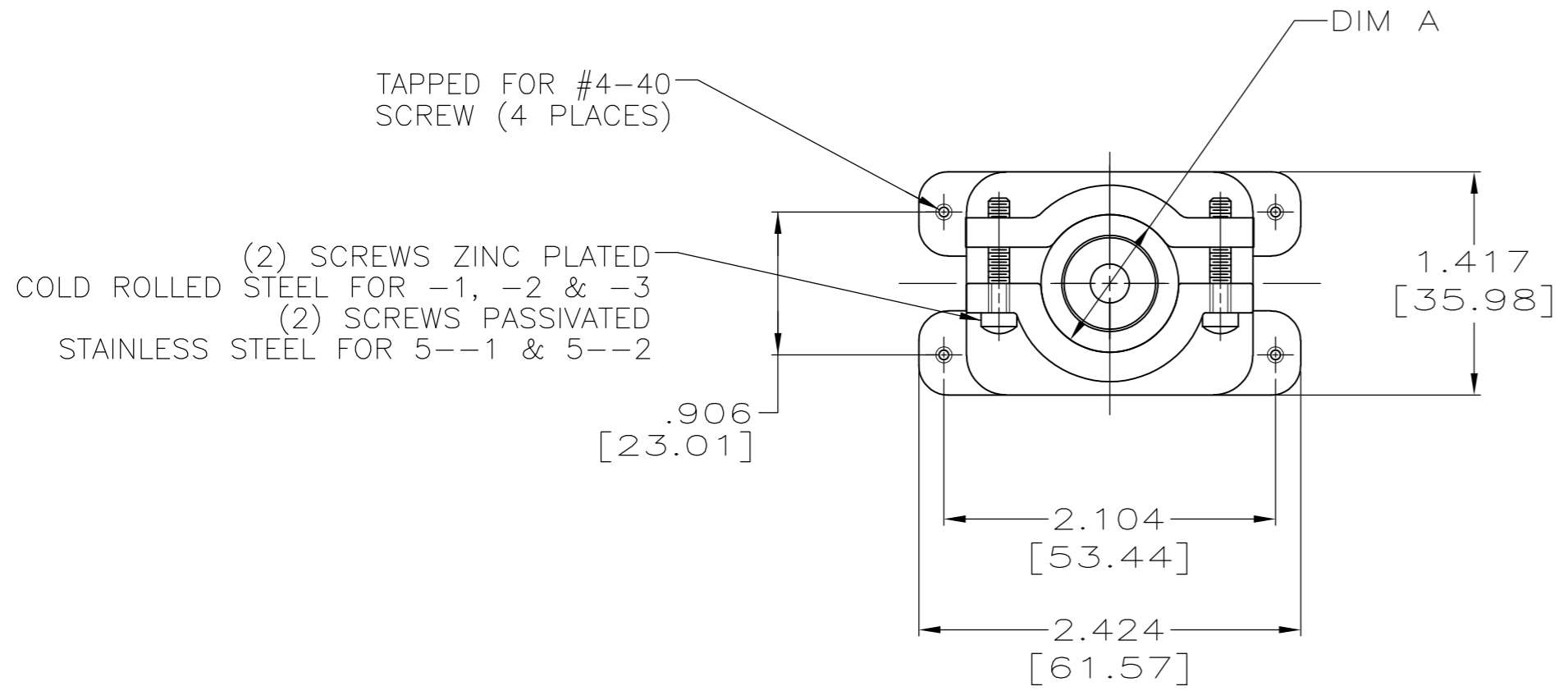
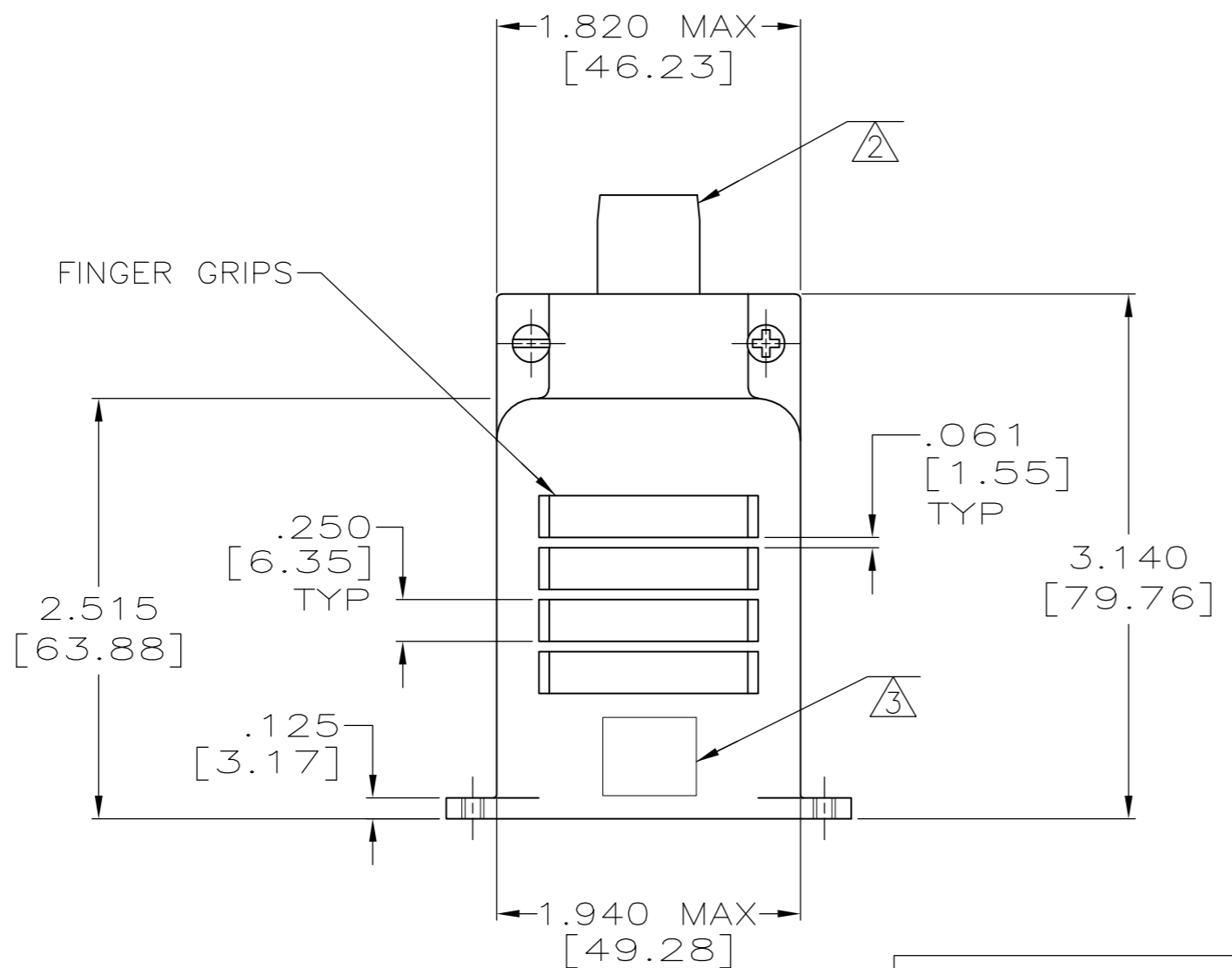


THIS DRAWING IS UNPUBLISHED. RELEASED FOR PUBLICATION - N/A .
 © COPYRIGHT N/A By - ALL RIGHTS RESERVED.

LOC	DIST	REVISIONS					
DF	B0	P	LTR	DESCRIPTION	DATE	DWN	APVD
		M		REV PER ECO-11-020125	07NOV11	PY	DE



- ① ZINC PLATE PER ASTM-B-633 TYPE II CLASS 3 COLORLESS SUPPLEMENTARY CHROMATE.
- ② TWO RUBBER BUSHINGS SUPPLIED TO, PROVIDE .250 [6.35], .625 [15.88], DIAMETER OUTLETS.
- ③ AMP, AMP PART NUMBER AND DATE CODE MARKED APPROXIMATELY AS SHOWN.
- 4. SHIELD TO ACCOMMODATE MODULE RECEPTACLE ASSEMBLY OR PLUG ASSEMBLY.
- ⑤ BULK PACKAGED.
- ⑥ PLATED ELECTROLESS NICKEL PER SAE-AMS-C-26074 .000400-.000800 THK (NO INTENTIONAL ADDITIONS OF LEAD OR CADMIUM PER DFE STANDARD 230-700).



OBSELETE ⑤
 OBSELETE -
 SUPERSEDED BY 5-202617-2
 SUPERSEDED BY 5-202617-1

REMARKS	DIM A	FINGER GRIPS BOTH SIDES	BUSHINGS	FINISH	PART NUMBER
-	∅.875	YES	NO	⑥	5-202617-2
-	∅.875	YES	YES	⑥	5-202617-1
OBSELETE ⑤	∅.875	YES	YES	①	202617-4
OBSELETE -	∅1.000	YES	NO	①	202617-3
-	∅.875	YES	NO	①	202617-2
-	∅.875	YES	YES	①	202617-1

THIS DRAWING IS A CONTROLLED DOCUMENT.

DWN	T. THOMPSON	10-NOV-98
CHK	R. BELL	10-NOV-98
APVD	R. BELL	10-NOV-98

STE TE Connectivity

NAME: SHIELD FOR MODULE ASSEMBLY
2 BLOCK ASSEMBLY

SIZE	A2	CAGE CODE	00779	DRAWING NO	C-202617	RESTRICTED TO	-
SCALE	1:1	SHEET	1 of 1	REV	M		

MATERIAL: ALUMINUM DIE CAST PER QQ-A-591
 FINISH: SEE TABLE
 DIMENSIONS: INCHES
 TOLERANCES UNLESS OTHERWISE SPECIFIED:
 0 PLC ± -
 1 PLC ± -
 2 PLC ± -
 3 PLC ± .015[0.31]
 4 PLC ± -
 ANGLES ± -

202617