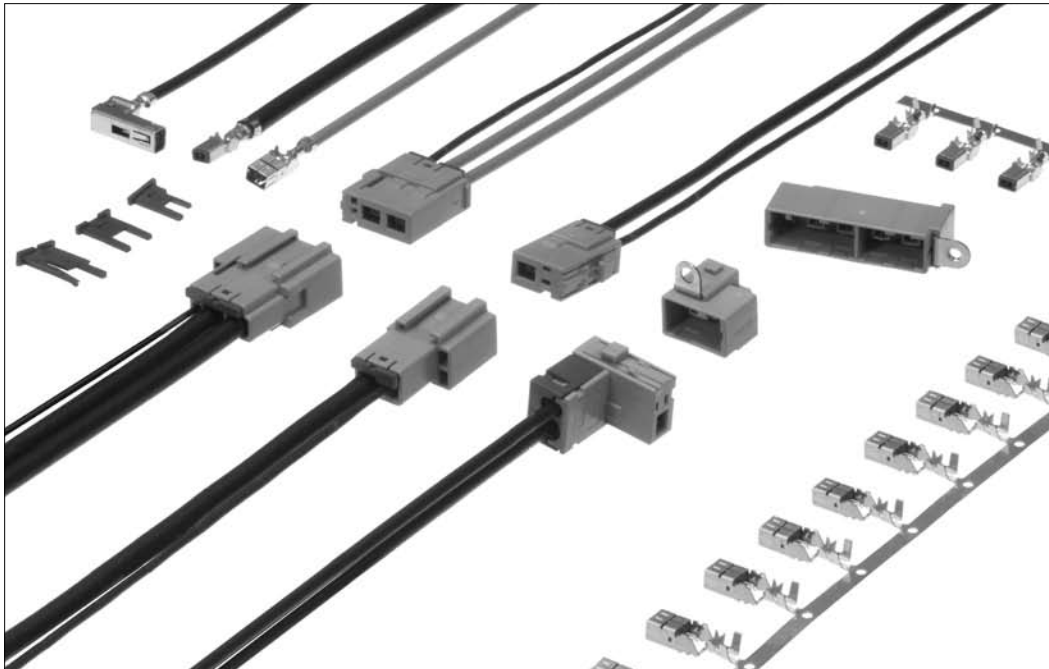


Termination of coaxial cables in automotive, medical and instrumentation applications utilizes one step to crimp the center conductor, shield and outer insulation.

# GT13 Series

— Connectors for coaxial cables —



## Features

- **Cost efficient termination**

Highly efficient and reliable one step crimp termination allows high volume production with semi-automatic equipment.

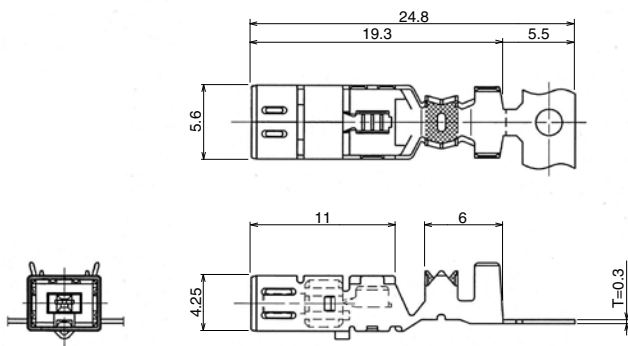
- **Space-saving Design**

Compact and light weight comparing with HRS GT5 series.

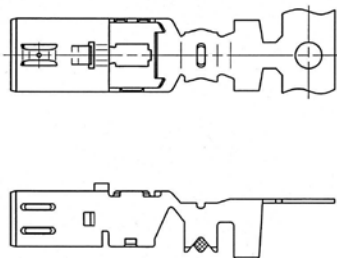
## Applications

automotive audio systems.

## F Terminals

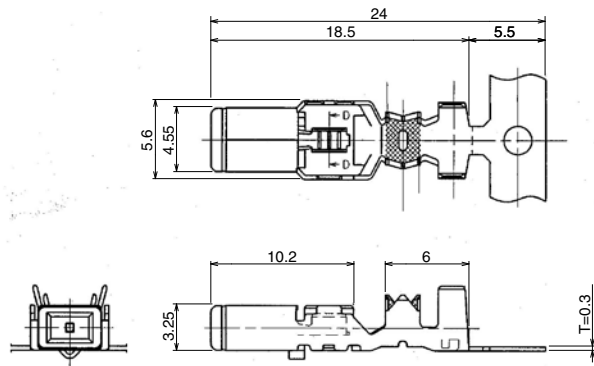


| Part Number              | HRS No.       | Conductor Size (AWG)        | Inner Insulation Diameter | Outer Diameter | Packaging       | RoHS |
|--------------------------|---------------|-----------------------------|---------------------------|----------------|-----------------|------|
| GT13-2428/1.6-2.9SCF(70) | 763-0001-3-70 | AWG #24 to 28 or equivalent | φ 1.5 to 2.0              | φ 2.7 to 3.4   | 3,000 pcs /reel | YES  |
| GT13-30/1.6-2.9SCF(70)   | 763-0012-0-70 | AWG #30 or equivalent       |                           | φ 2.3 to 2.7   |                 |      |
| GT13-2428/1.6-2.5SCF(70) | 763-0042-0-70 | AWG #24 to 28 or equivalent | φ 3.0 to 3.6              | φ 4.6 to 5.0   | 2,200 pcs /reel |      |
| GT13-2428/F4-5SCF(70)    | 763-0051-1-70 | AWG #24 to 28 or equivalent |                           | φ 3.6 to 4.0   |                 |      |
| GT13-30/F4-5SCF(70)      | 763-0067-1-70 | AWG #30 or equivalent       | φ 3.0 to 3.6              | φ 4.6 to 5.0   | 2,200 pcs /reel |      |
| GT13-30/F3.3-3.8SCF(70)  | 763-0052-4-70 | AWG #30 or equivalent       |                           | φ 2.5 to 2.9   |                 |      |
| GT13-2022/F4-5SCF(70)    | 763-0068-4-70 | AWG #20 to 22 or equivalent | φ 3.0 to 3.6              | φ 4.6 to 5.0   | 2,200 pcs /reel |      |

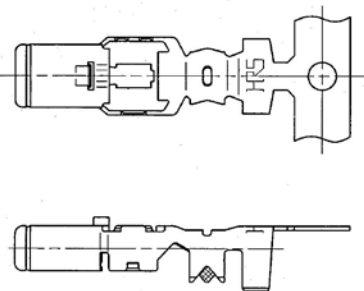


| Item                   | Material     | Color/Finish |
|------------------------|--------------|--------------|
| Insulator              | PBT          | Dark Gray    |
| Center terminals       | Copper alloy | Tin plating  |
| Outside tube terminals | Copper alloy | Tin plating  |

## M Terminals

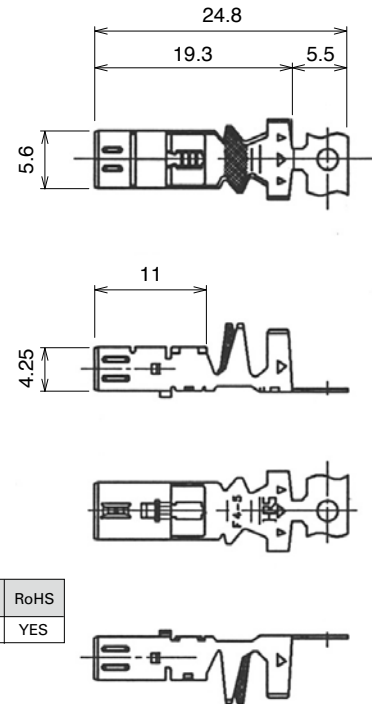


| Part Number               | HRS No.       | Conductor Size (AWG)        | Inner Insulation Diameter | Outer Diameter | Packaging       | RoHS |
|---------------------------|---------------|-----------------------------|---------------------------|----------------|-----------------|------|
| GT13-2428/1.6-2.9PCF(70)  | 763-0002-6-70 | AWG #24 to 28 or equivalent | φ 1.5 to 2.0              | φ 2.7 to 3.4   | 4,000 pcs /reel | YES  |
| GT13-30/1.6-2.9PCF(70)    | 763-0041-8-70 | AWG #30 or equivalent       |                           | φ 2.3 to 2.7   |                 |      |
| GT13-2428/1.6-2.5PCF(70)  | 763-0069-7-70 | AWG #24 to 28 or equivalent | φ 3.0 to 3.6              | φ 4.6 to 5.0   | 2,200 pcs /reel |      |
| GT13-2428/F4-5PCF(70)     | 763-0054-0-70 | AWG #24 to 28 or equivalent |                           | φ 3.6 to 4.0   |                 |      |
| GT13-30/F4-5PCF(70)       | 763-0066-9-70 | AWG #30 or equivalent       | φ 3.0 to 3.6              | φ 4.6 to 5.0   | 2,200 pcs /reel |      |
| GT13-30/F3.3-3.8PCF(70)   | 763-0053-7-70 | AWG #30 or equivalent       |                           | φ 2.5 to 2.9   |                 |      |
| GT13-2428/F3.3-3.8PCF(70) | 763-0079-0-70 | AWG #24 to 28 or equivalent | φ 3.0 to 3.6              | φ 4.6 to 5.0   | 2,200 pcs /reel |      |
| GT13-2022/F4-5PCF(70)     | 763-0068-4-70 | AWG #20 to 22 or equivalent |                           | φ 3.0 to 3.6   |                 |      |



| Item                   | Material     | Color/Finish |
|------------------------|--------------|--------------|
| Insulator              | PBT          | Dark Gray    |
| Center terminals       | Copper alloy | Tin plating  |
| Outside tube terminals | Copper alloy | Tin plating  |

## Low insertion F Terminals

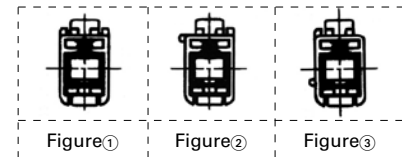
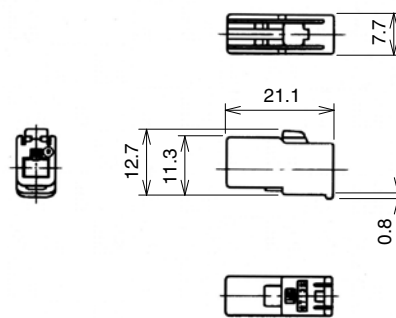


| Part Number        | HRS No.    | Conductor Size (AWG)        | Inner Insulation Diameter | Outer Diameter | Packaging     | RoHS |
|--------------------|------------|-----------------------------|---------------------------|----------------|---------------|------|
| GT13L-2428/F4-5SCF | 763-0098-5 | AWG #24 to 28 or equivalent | φ 3.0 to 3.6              | φ 4.6 to 5.0   | 2,200pcs/reel | YES  |

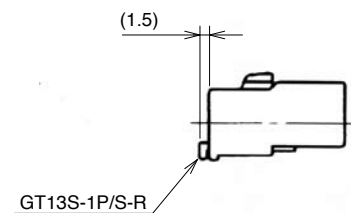
| Item                   | Material     | Color/Finish |
|------------------------|--------------|--------------|
| Insulator              | PBT          | Dark Gray    |
| Center terminals       | Copper alloy | Tin plating  |
| Outside tube terminals | Copper alloy | Tin plating  |

## 13S Series

### F Housing(1 coaxial)



◆ Shown with inserted retainer.



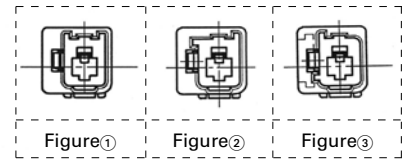
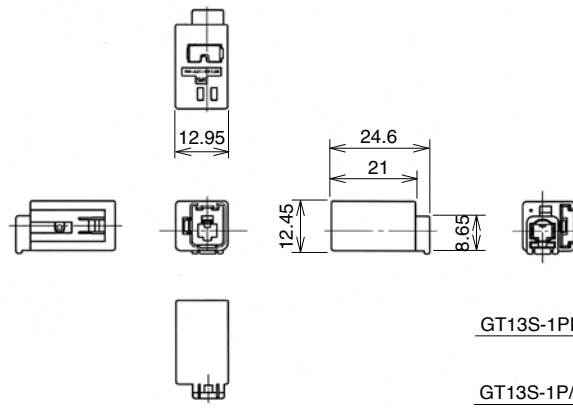
| Part Number     | HRS No.    | Material | Color      | Key polarizing code | RoHS |
|-----------------|------------|----------|------------|---------------------|------|
| GT13S-1S-HU     | 763-0024-9 | PBT      | Light Gray | Figure①             | YES  |
| GT13S-1S-HU (A) | 763-0025-1 | PBT      | Brown      | Figure②             |      |
| GT13S-1S-HU (B) | 763-0026-4 | PBT      | Green      | Figure③             |      |

GT 5  
GT 13  
GT 16  
PO5G  
GT 11  
GT 17  
GT 19  
GT 26  
GT 27

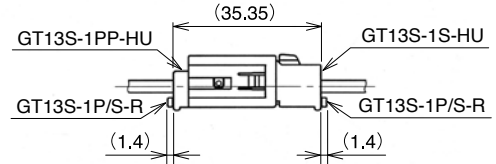
Coaxial cable connection of Antennas, Sensors, and Communication Trunk Lines

GT 3  
GT 6W  
GT 7  
GT 10  
GT 18W  
GT 15  
GT 8  
GT 9  
GT 25  
GT 22

### M Housing(1 coaxial)



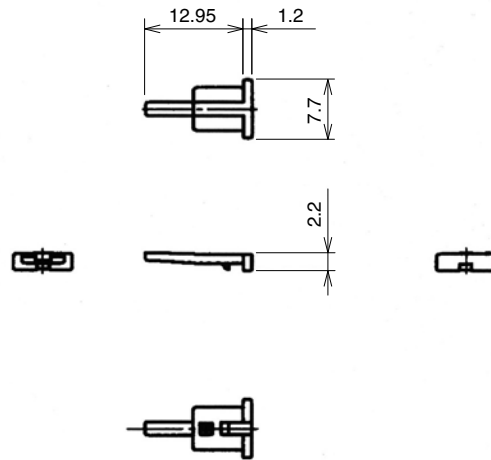
◆ Fully mated connector assemblies



| Part Number      | HRS No.    | Color      | Key polarizing code | RoHS |
|------------------|------------|------------|---------------------|------|
| GT13S-1PP-HU     | 763-0030-1 | Light Gray | Figure①             | YES  |
| GT13S-1PP-HU (A) | 763-0031-4 | Brown      | Figure②             |      |
| GT13S-1PP-HU (B) | 763-0032-7 | Green      | Figure③             |      |

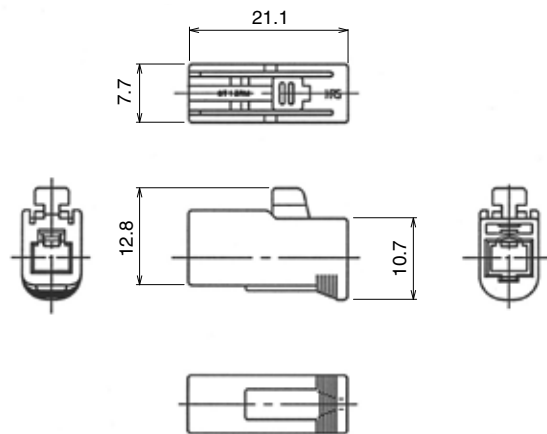
| Part            | Material     | Finish      |
|-----------------|--------------|-------------|
| Ground terminal | Copper alloy | Tin plating |
| Housing         | PBT          | —           |

### Retainer



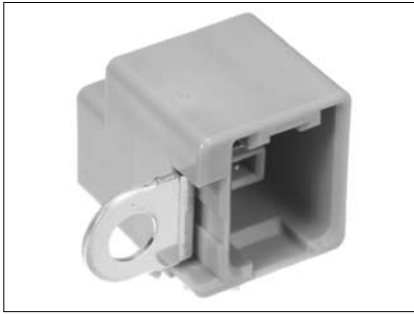
| Part Number  | HRS No.    | Material | Color     | RoHS |
|--------------|------------|----------|-----------|------|
| GT13S-1P/S-R | 763-0033-0 | PBT      | Dark Gray | YES  |

### F Housing(1 coaxial) No retainer required type



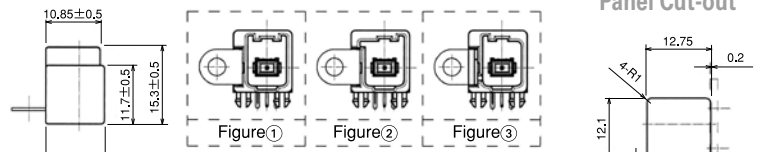
| Part Number  | HRS No.    | Material | Color      | RoHS |
|--------------|------------|----------|------------|------|
| GT13RM-1S-HU | 763-0099-8 | PBT      | Light Gray | YES  |

### Printed Circuit Board Type (1 coaxial)

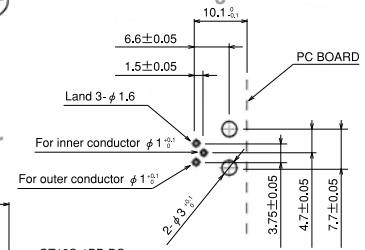


| Part Number      | HRS No.    | Color      | Key polarizing code | RoHS |
|------------------|------------|------------|---------------------|------|
| GT13S-1PP-DS     | 763-0027-7 | Light Gray | Figure①             | YES  |
| GT13S-1PP-DS (A) | 763-0028-0 | Brown      | Figure②             |      |
| GT13S-1PP-DS (B) | 763-0029-2 | Green      | Figure③             |      |

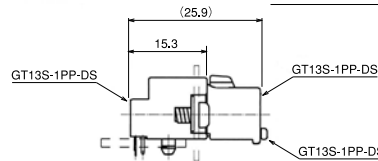
| Part                  | Material     | Color/Finish |
|-----------------------|--------------|--------------|
| Housing               | PBT          | —            |
| Center terminal       | Copper alloy | Tin plating  |
| Outside tube terminal | Copper alloy | Tin plating  |
| Metal bracket         | Copper alloy | Tin plating  |



#### Recommended Board Mounting Pattern



#### Fully mated connector assemblies

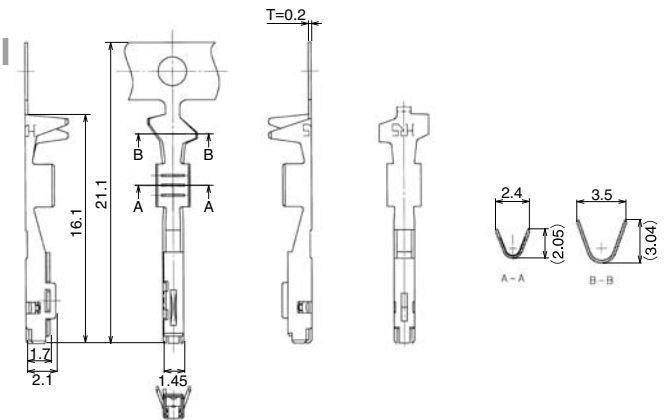


## GT13SC Series

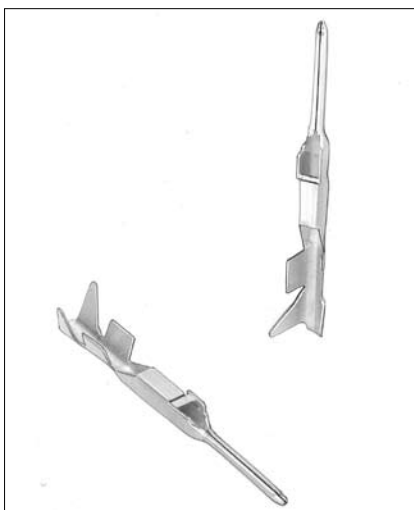
### F Connector Power Supply Terminal



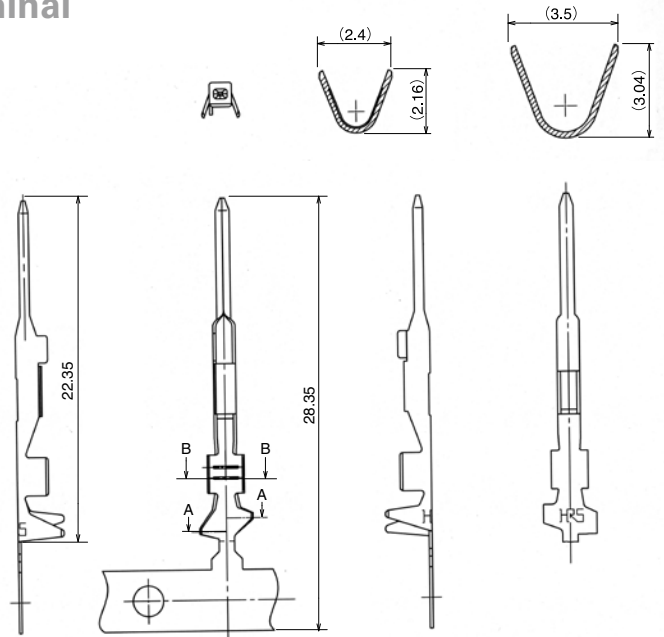
| Part Number   | HRS No.    | Packaging      | RoHS |
|---------------|------------|----------------|------|
| GT10A-2022SCF | 760-0014-6 | 8,000 pcs/reel | YES  |



### M Connector Power Supply Terminal



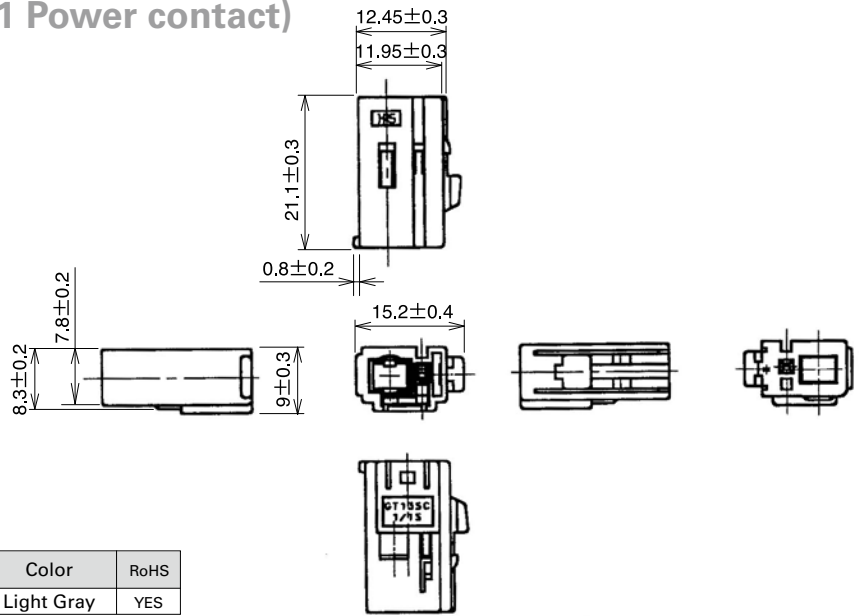
| Part Number    | HRS No.    | Packaging       | RoHS |
|----------------|------------|-----------------|------|
| GT10SC-2022PCF | 760-0016-1 | 7,000 pcs/reel  | YES  |
| GT10A-2022PCF  | 760-0015-9 | 10,000 pcs/reel |      |



GT 5  
**GT 13**  
 GT 16  
 PO5G  
 GT 11  
 GT 17  
 GT 19  
 GT 26  
 GT 27  
 GT 3  
 GT 6W  
 GT 7  
 GT 10  
 GT 18W  
 GT 15  
 GT 8  
 GT 9  
 GT 25  
 GT 22

Coaxial cable connection of Antennas, Sensors, and Communication Trunk Lines

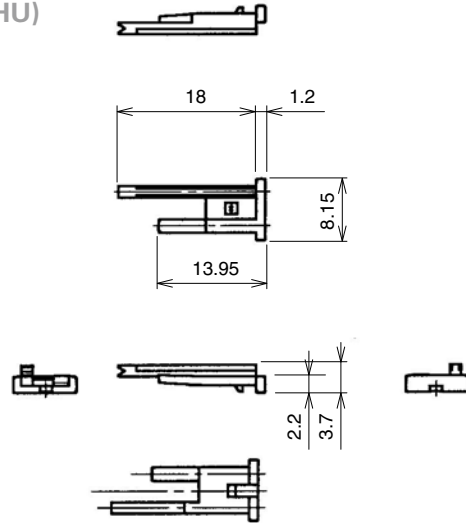
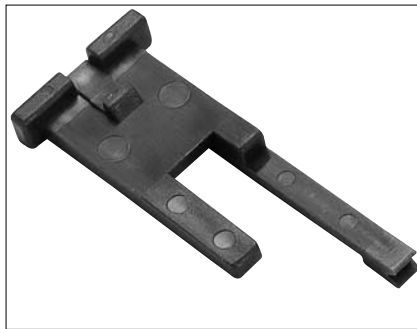
### F Housing(1 Coaxial +1 Power contact)



| Part Number    | HRS No.    | Material | Color      | RoHS |
|----------------|------------|----------|------------|------|
| GT13SC-1/1S-HU | 763-0010-4 | PBT      | Light Gray | YES  |

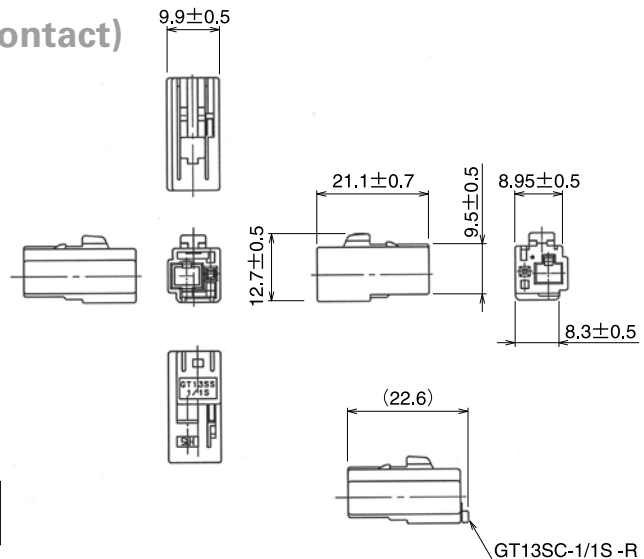
Note : GT10A-2022SCF is used for power supply terminals.

### ● Retainer(Used with GT13SC-1/1S-HU, GT13SS-1/1S-HU)



| Part Number   | HRS No.    | Material | Color     | RoHS |
|---------------|------------|----------|-----------|------|
| GT13SC-1/1S-R | 763-0011-7 | PBT      | Dark Gray | YES  |

### F Housing(1 Coaxial + 1 Power contact)

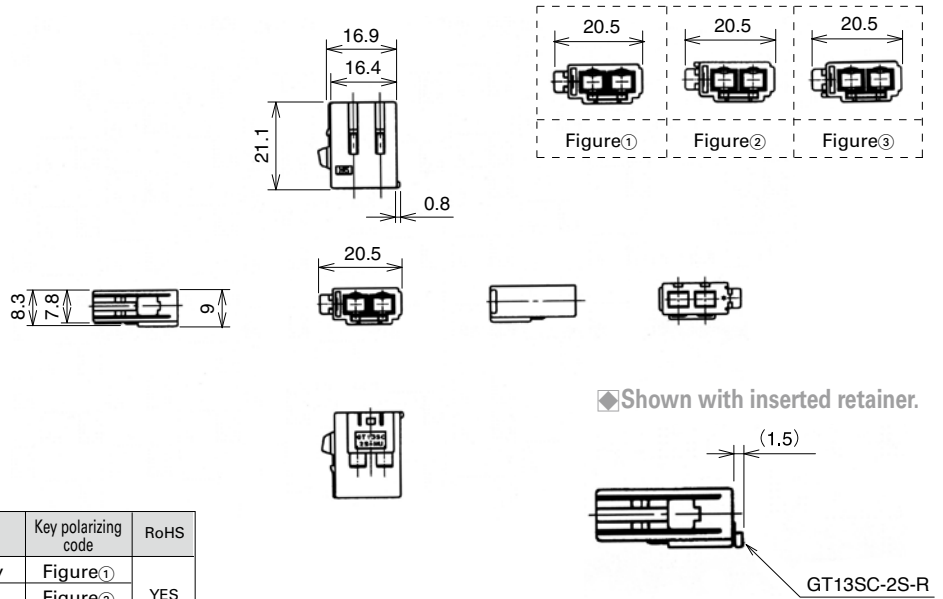


| Part Number    | HRS No.    | Material | Color      | RoHS |
|----------------|------------|----------|------------|------|
| GT13SS-1/1S-HU | 763-0093-1 | PBT      | Light Gray | YES  |

Note : GT10A-2022SCF is used for power supply terminals.

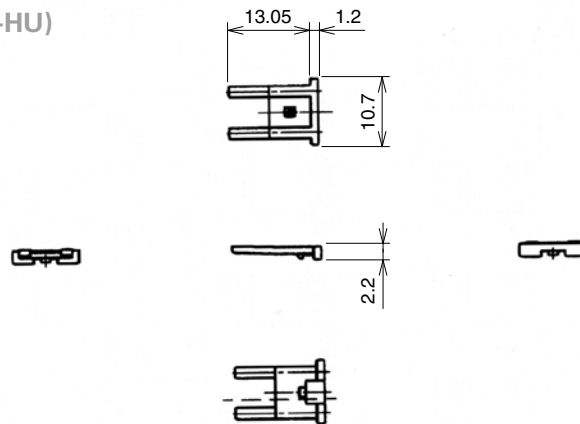
◆ Shown with inserted retainer.

## F Housing(2 coaxials)



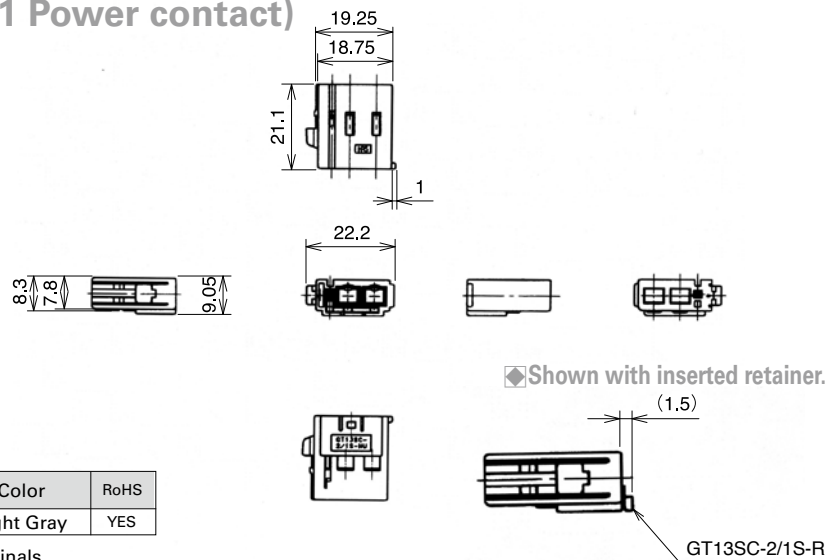
| Part Number      | HRS No.    | Color      | Key polarizing code | RoHS |
|------------------|------------|------------|---------------------|------|
| GT13SC-2S-HU     | 763-0014-5 | Light Gray | Figure①             | YES  |
| GT13SC-2S-HU (A) | 763-0043-3 | Brown      | Figure②             |      |
| GT13SC-2S-HU (B) | 763-0037-0 | Green      | Figure③             |      |

### ● Retainer (Used with GT13SC-2S-HU, GT13SCN-2PP-HU and GT13SCH-2PP-HU)



| Part Number | HRS No.    | Material | Color     | RoHS |
|-------------|------------|----------|-----------|------|
| GT13SC-2S-R | 763-0015-8 | PBT      | Dark Gray | YES  |

## F Housing(2 Coaxials + 1 Power contact)



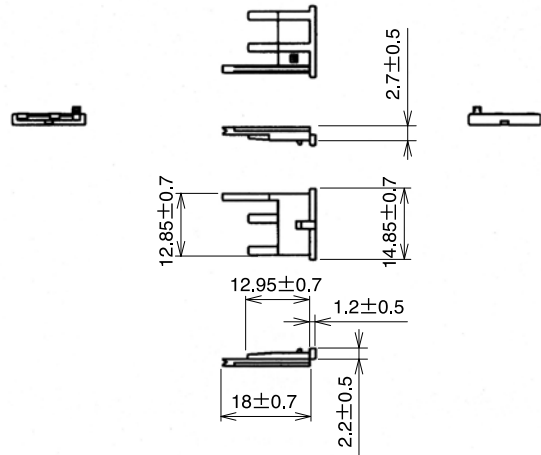
| Part Number    | HRS No.    | Material | Color      | RoHS |
|----------------|------------|----------|------------|------|
| GT13SC-2/1S-HU | 763-0016-0 | PBT      | Light Gray | YES  |

Note : GT10A-2022SCF is used for power supply terminals.

Coaxial cable connection of Antennas, Sensors, and Communication Trunk Lines

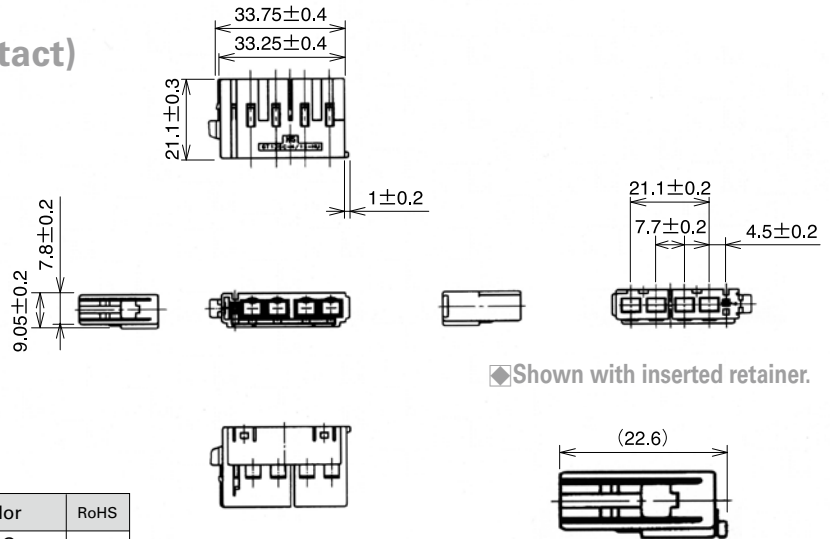
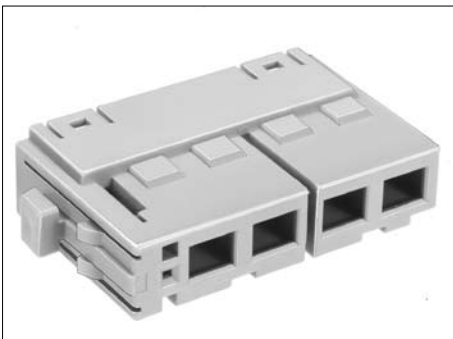
- GT 5
- GT 13
- GT 16
- PO5G
- GT 11
- GT 17
- GT 19
- GT 26
- GT 27
- GT 3
- GT 6W
- GT 7
- GT 10
- GT 18W
- GT 15
- GT 8
- GT 9
- GT 25
- GT 22

● Retainer (Only for GT13SC-2/1S-HU)



| Part Number   | HRS No.    | Material | Color     | RoHS |
|---------------|------------|----------|-----------|------|
| GT13SC-2/1S-R | 763-0017-3 | PBT      | Dark Gray | YES  |

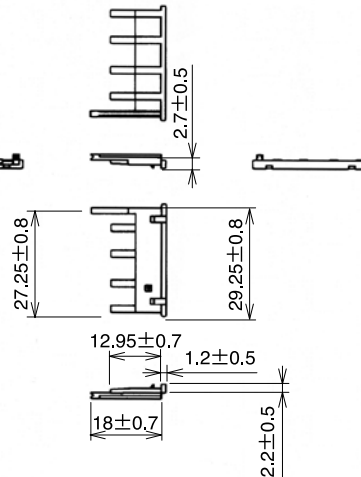
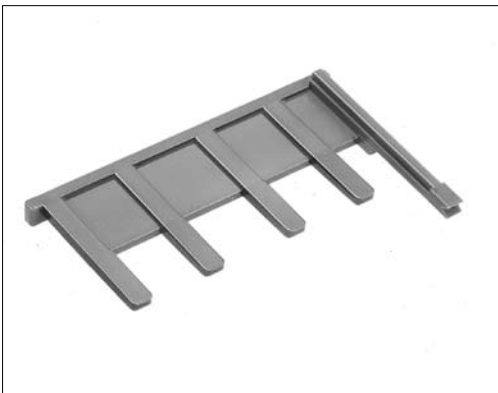
■ F Housing(4 Coaxials + 1 Power contact)



| Part Number        | HRS No.    | Material | Color      | RoHS |
|--------------------|------------|----------|------------|------|
| GT13SC-4/1S-HU     | 763-0021-0 | PBT      | Light Gray | YES  |
| GT13SC-4/1S-HU (A) | 763-0022-3 |          | Brown      |      |

Note : GT10A-2022SCF is used for power supply terminals.

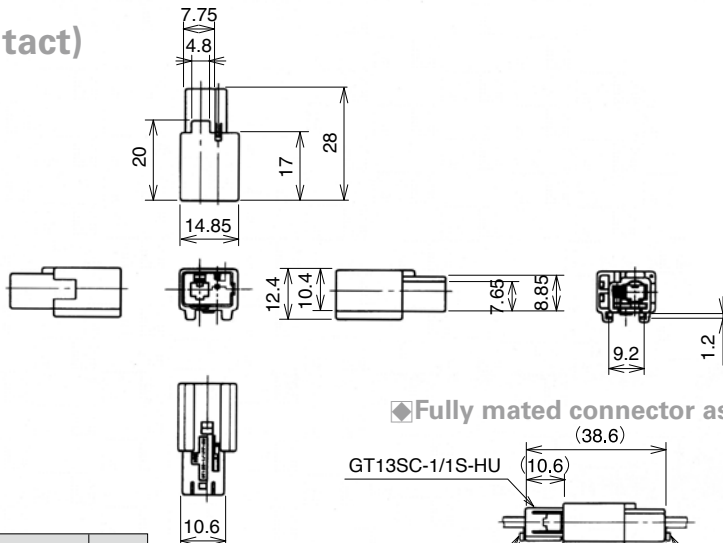
● Retainer (Only for GT13SC-4/1S-R)



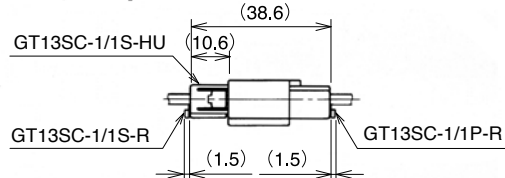
| Part Number   | HRS No.    | Material | Color     | RoHS |
|---------------|------------|----------|-----------|------|
| GT13SC-4/1S-R | 763-0023-6 | PBT      | Dark Gray | YES  |



**M Housing(1 Coaxial + 1 Power contact)**



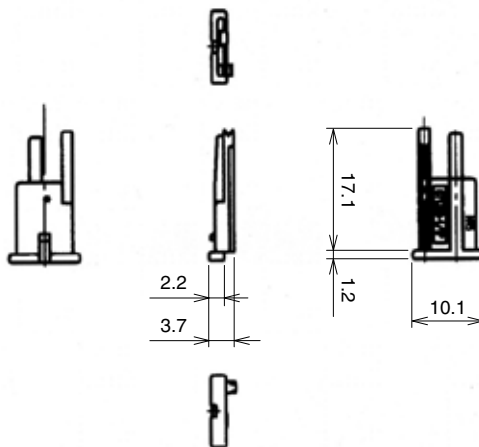
**Fully mated connector assemblies**



| Part Number      | HRS No.    | Material | Color      | RoHS |
|------------------|------------|----------|------------|------|
| GT13SCN-1/1PP-HU | 763-0036-8 | PBT      | Light Gray | YES  |

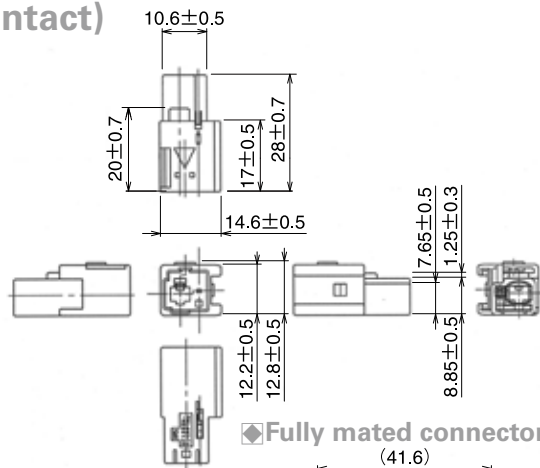
Note : GT10SC-2022PCF or GT10A-2022PCF is used for power supply terminals.

**Retainer (Only for GT13SCN-1/1PP-HU)**

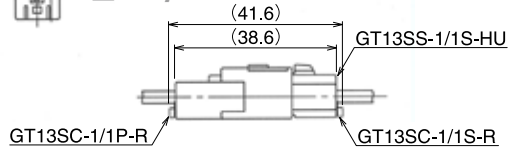


| Part Number   | HRS No.    | Material | Color     | RoHS |
|---------------|------------|----------|-----------|------|
| GT13SC-1/1P-R | 763-0039-6 | PBT      | Dark Gray | YES  |

**M Housing(1 Coaxial + 1 Power contact)**



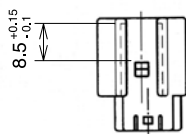
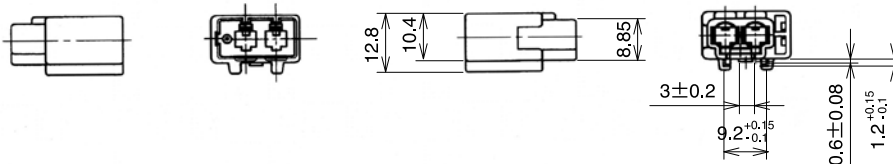
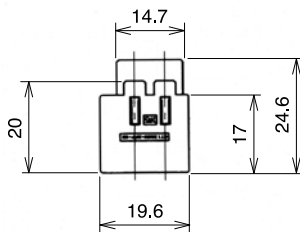
**Fully mated connector assemblies**



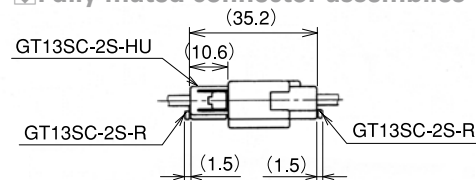
| Part Number      | HRS No.    | Material | Color      | RoHS |
|------------------|------------|----------|------------|------|
| GT13SSN-1/1PP-HU | 763-0092-9 | PBT      | Light Gray | YES  |

Note : GT10SC-2022PCF or GT10A-2022PCF is used for power supply terminals.

### M Housing(2 coaxials)

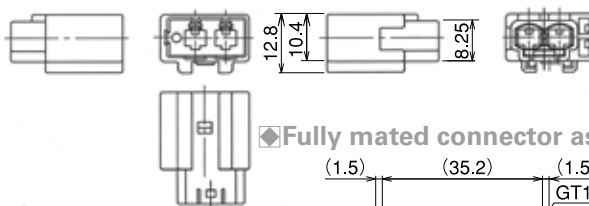
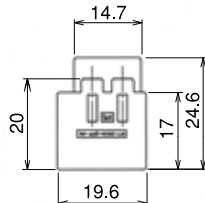
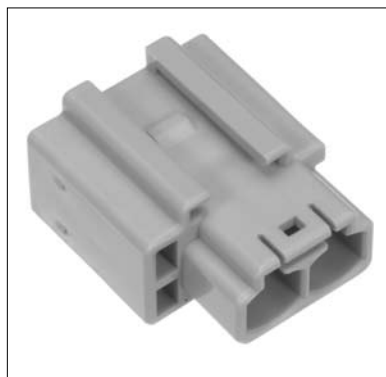


#### Fully mated connector assemblies

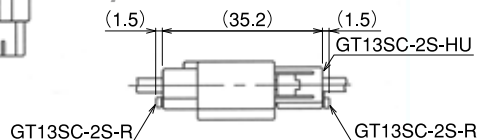


| Part Number    | HRS No.    | Material | Color      | RoHS |
|----------------|------------|----------|------------|------|
| GT13SCN-2PP-HU | 763-0046-1 | PBT      | Light Gray | YES  |

### M Housing(2 coaxials)

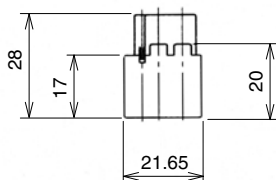
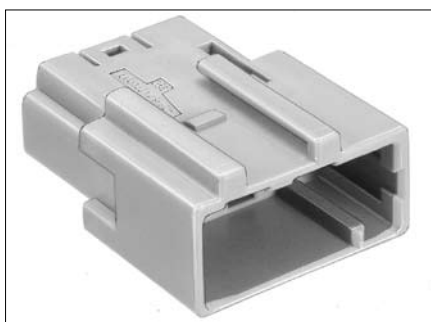


#### Fully mated connector assemblies

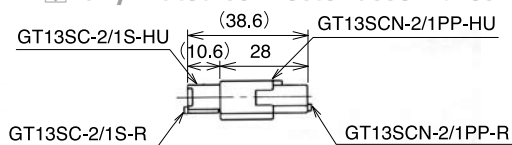


| Part Number    | HRS No.    | Material | Color      | RoHS |
|----------------|------------|----------|------------|------|
| GT13SCH-2PP-HU | 763-0072-1 | PBT      | Light Gray | YES  |

### M Housing(2 Coaxials + 1 Power contact)



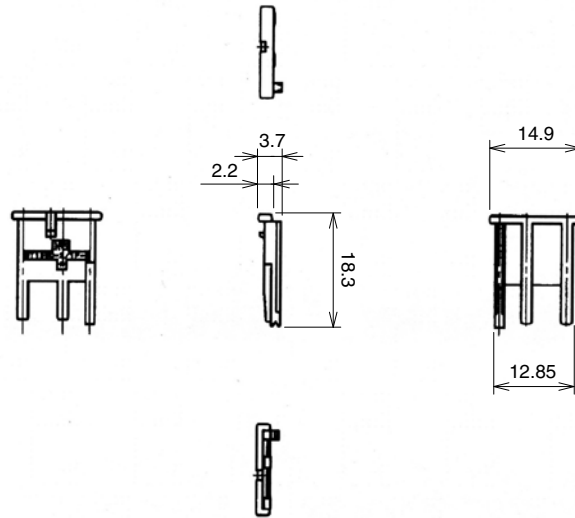
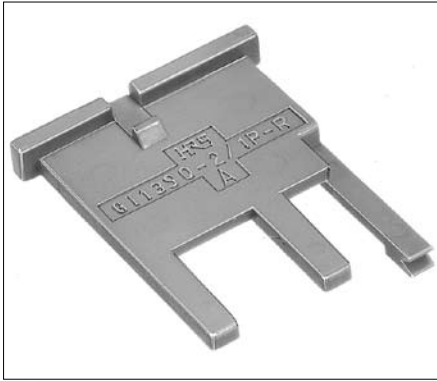
#### Fully mated connector assemblies



| Part Number      | HRS No.    | Material | Color      | RoHS |
|------------------|------------|----------|------------|------|
| GT13SCN-2/1PP-HU | 763-0038-3 | PBT      | Light Gray | YES  |

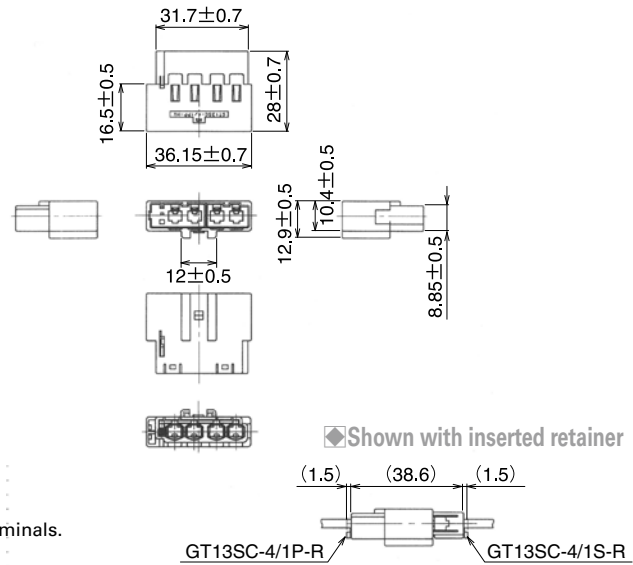
Note : GT10SC-2022PCF or GT10A-2022PCF is used for power supply terminals.

● Retainer (Only for GT13SCN-2/1PP-HU)



| Part Number    | HRS No.    | Material | Color     | RoHS |
|----------------|------------|----------|-----------|------|
| GT13SC-2/1PP-R | 763-0040-5 | PBT      | Dark Gray | YES  |

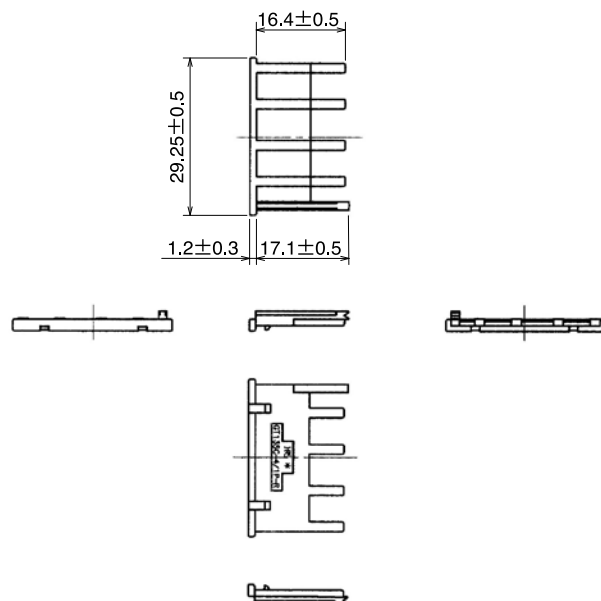
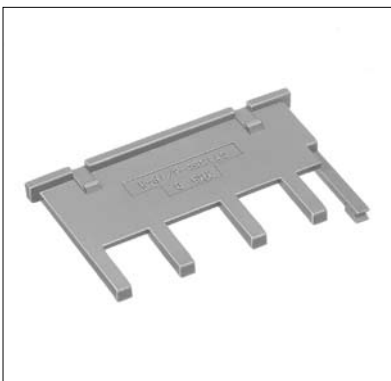
■ M Housing(4 Coaxials + 1 Power contact)



| Part Number      | HRS No.    | Material | Color      | RoHS |
|------------------|------------|----------|------------|------|
| GT13SCH-4/1PP-HU | 763-0060-2 | PBT      | Light Gray | YES  |

Note : GT10SC-2022PCF or GT10A-2022PCF is used for power supply terminals.

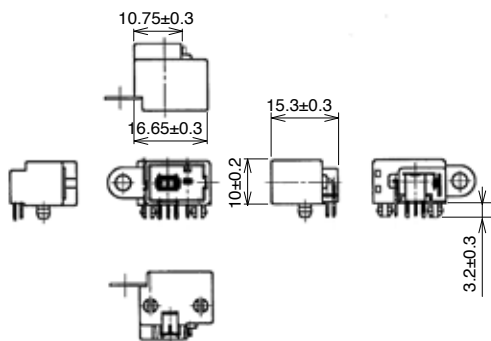
● Retainer



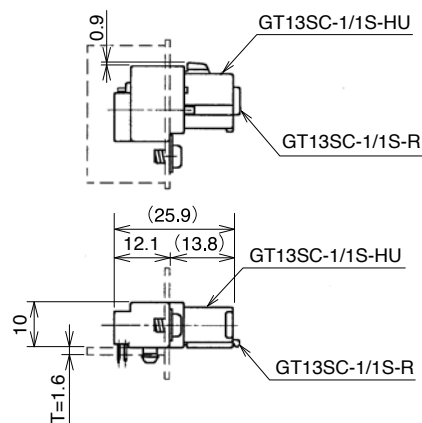
| Part Number   | HRS No.    | Material | Color     | RoHS |
|---------------|------------|----------|-----------|------|
| GT13SC-4/1P-R | 763-0061-5 | PBT      | Dark Gray | YES  |

GT 5  
GT 13  
GT 16  
GT 17  
GT 19  
GT 26  
GT 27  
GT 3  
GT 6W  
GT 7  
GT 10  
GT 18W  
GT 15  
GT 8  
GT 9  
GT 25  
GT 22

## Printed Circuit Board Type (1 Coaxial +1 Power contact)



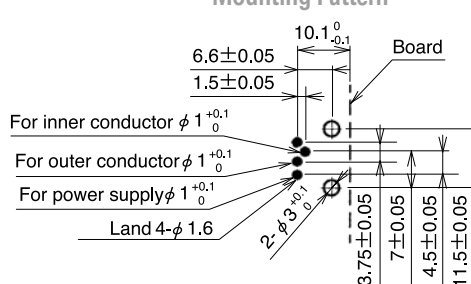
### Fully mated connector assemblies



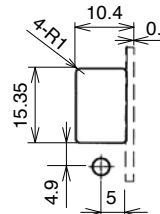
| Part Number         | HRS No.       | Material | Color      | RoHS |
|---------------------|---------------|----------|------------|------|
| GT13SC-1/1PP-DS(70) | 763-0009-5-70 | PBT      | Light Gray | YES  |

| Part                  | Material     | Color/Finish |
|-----------------------|--------------|--------------|
| Housing               | PBT          | —            |
| Center terminal       | Copper alloy | Tin plating  |
| Outside tube terminal | Copper alloy | Tin plating  |
| Power terminal        | Copper alloy | Tin plating  |
| Metal bracket         | Copper alloy | Tin plating  |

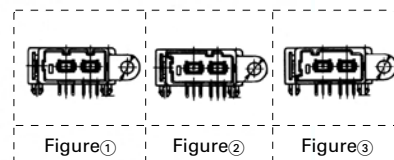
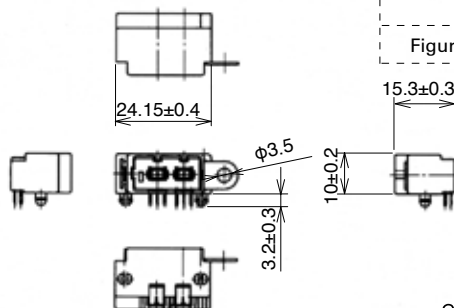
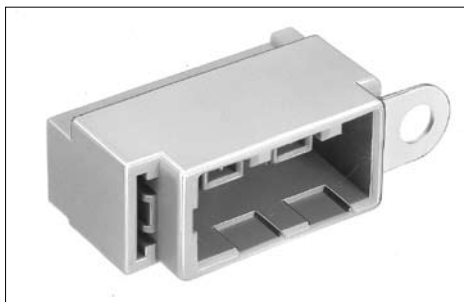
### Recommended Board Mounting Pattern



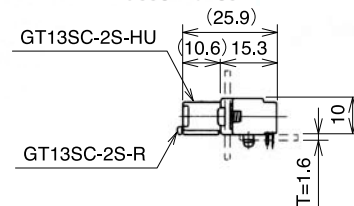
### Recommended Panel Cutout



## Printed Circuit Board Type ( 2 Coaxials )



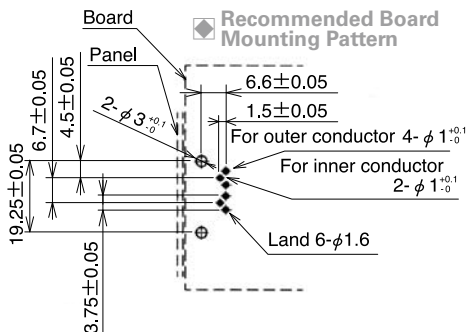
### Fully mated connector assemblies



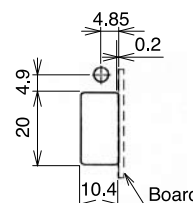
| Part Number       | HRS No.    | Material | Color      | RoHS |
|-------------------|------------|----------|------------|------|
| GT13SC-2PP-DS     | 763-0013-2 | PBT      | Light Gray | YES  |
| GT13SC-2PP-DS (A) | 763-0034-2 | PBT      | Brown      |      |
| GT13SC-2PP-DS (B) | 763-0035-5 | PBT      | Green      |      |

| Part                  | Material     | Color/Finish |
|-----------------------|--------------|--------------|
| Housing               | PBT          | —            |
| Center terminal       | Copper alloy | Tin plating  |
| Outside tube terminal | Copper alloy | Tin plating  |
| Metal bracket         | Copper alloy | Tin plating  |

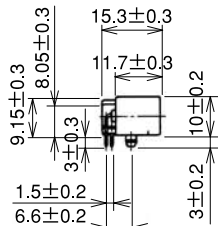
### Recommended Board Mounting Pattern



### Recommended Panel Cutout



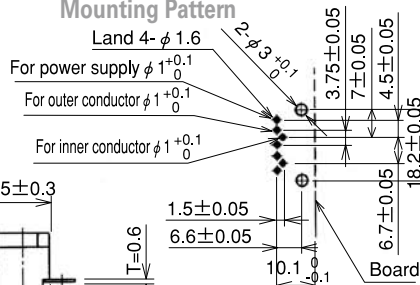
### Printed Circuit Board Type (2 Coaxials + 1 Power contact)



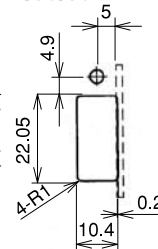
| Part Number         | HRS No.       | Material | Color      | RoHS |
|---------------------|---------------|----------|------------|------|
| GT13SC-2/1PP-DS(70) | 763-0018-6-70 | PBT      | Light Gray | YES  |

| Part                  | Material     | Color/Finish |
|-----------------------|--------------|--------------|
| Housing               | PBT          | —            |
| Center terminal       | Copper alloy | Tin plating  |
| Outside tube terminal | Copper alloy | Tin plating  |
| Power terminal        | Copper alloy | Tin plating  |
| Metal bracket         | Copper alloy | Tin plating  |

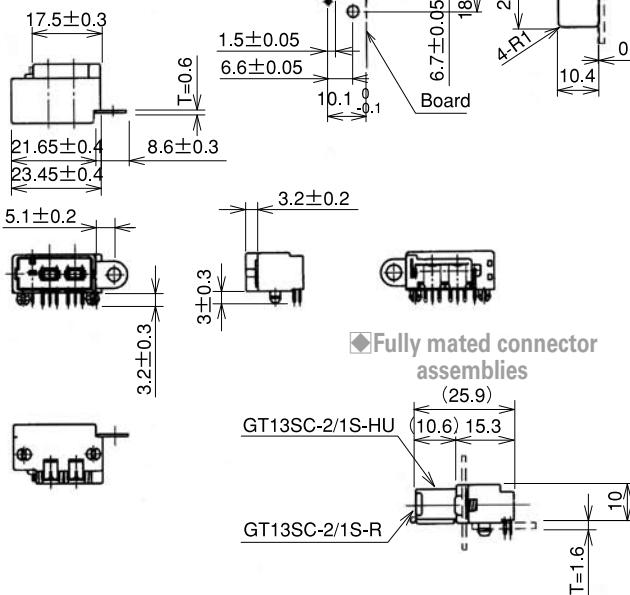
#### Recommended Board Mounting Pattern



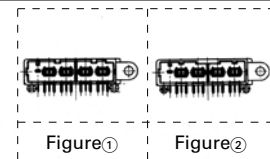
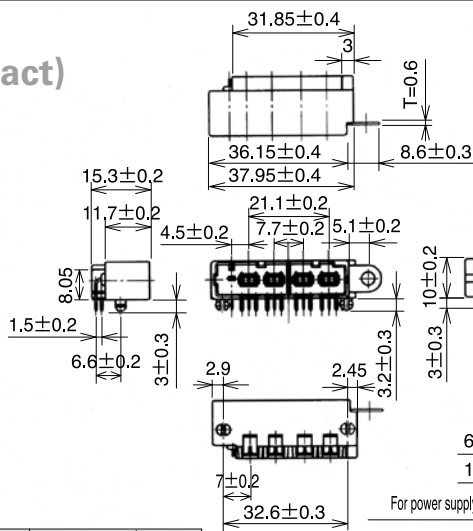
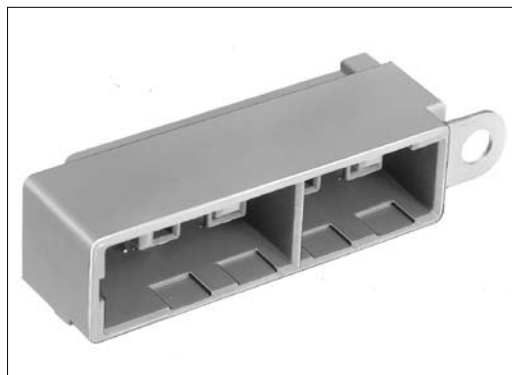
#### Recommended Panel Cutout



#### Fully mated connector assemblies



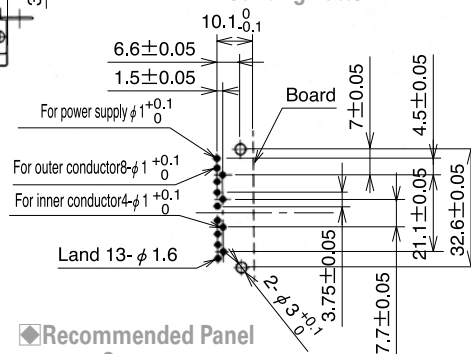
### Printed Circuit Board Type (4 Coaxials + 1 Power contact)



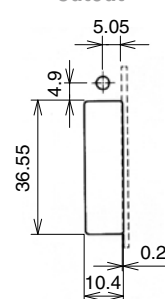
| Part Number             | HRS No.       | Material | Color      | Key polarizing code | RoHS |
|-------------------------|---------------|----------|------------|---------------------|------|
| GT13SC-4/1PP-DS(70)     | 763-0019-9-70 | PBT      | Light Gray | Figure①             | YES  |
| GT13SC-4/1PP-DS (A)(70) | 763-0020-8-70 | PBT      | Brown      | Figure②             | YES  |

| Part                  | Material     | Color/Finish |
|-----------------------|--------------|--------------|
| Housing               | PBT          | —            |
| Center terminal       | Copper alloy | Tin plating  |
| Outside tube terminal | Copper alloy | Tin plating  |
| Power terminal        | Copper alloy | Tin plating  |
| Metal bracket         | Copper alloy | Tin plating  |

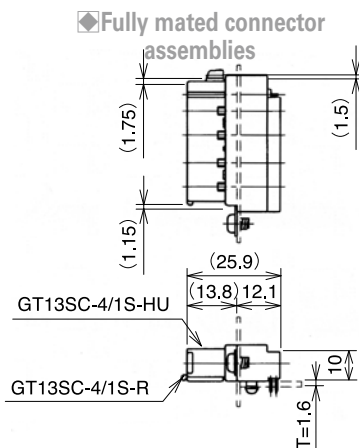
#### Recommended Board Mounting Pattern



#### Recommended Panel Cutout



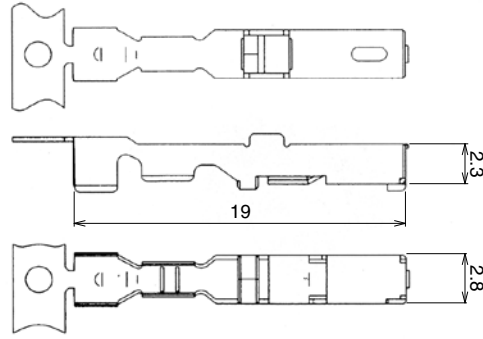
#### Fully mated connector assemblies



## GT13SH Series

### Power Supply Terminals

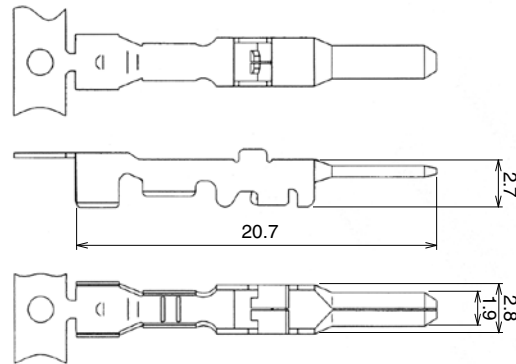
#### F Connector Terminals



| Part Number      | HRS No.       | Material     | Finish      | Conductor Size(AWG) | Inner Insulation Diameter | Packaging      | RoHS |
|------------------|---------------|--------------|-------------|---------------------|---------------------------|----------------|------|
| GT7-2022SCF(70)  | 757-0001-1-70 | Copper alloy | Tin plating | #20 to 22           | $\phi$ 1.4 to 2.4         | 5,000 pcs/reel | YES  |
| GT7A-2022SCF(70) | 757-0003-7-70 |              |             | #20 to 22           | $\phi$ 2.6 to 3.1         | 3,000 pcs/reel |      |

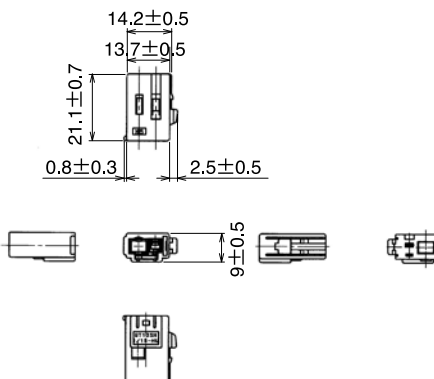
Note1 : Sold by the reel.(Sea above table for number of Packaging.)  
 Note2 : This component is used only with applicable HRS housings.

#### M Connector Terminals



| Part Number      | HRS No.       | Material | Finish      | Conductor Size(AWG) | Inner Insulation Diameter | Packaging      | RoHS |
|------------------|---------------|----------|-------------|---------------------|---------------------------|----------------|------|
| GT7-2022PCF(70)  | 757-0002-4-70 | Brass    | Tin plating | #20 to 22           | $\phi$ 1.4 to 2.4         | 5,000 pcs/reel | YES  |
| GT7A-2022PCF(70) | 757-0004-0-70 |          |             | #20 to 22           | $\phi$ 2.6 to 3.1         | 3,000 pcs/reel |      |

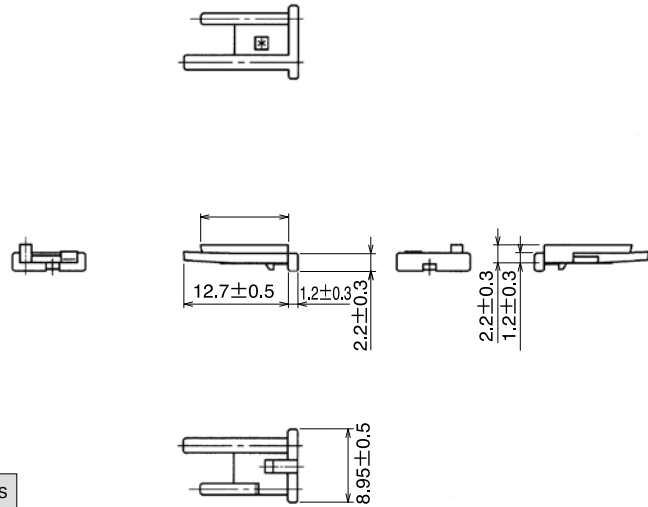
#### F Housing (1 Coaxial + 1 Power contact)



| Part Number       | HRS No.    | Material | Color      | RoHS |
|-------------------|------------|----------|------------|------|
| GT13SH-1/1S-HU    | 763-0048-7 | PBT      | Light Gray | YES  |
| GT13SH-1/1S-HU(A) | 763-0059-3 | PBT      | Brown      |      |

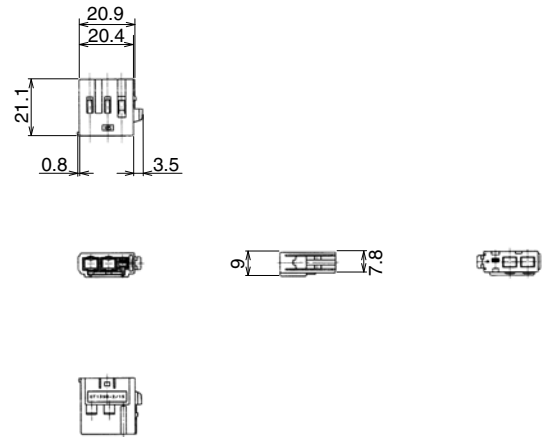
Note : GT7-2022SCF(70) or GT7A-2022SCF(70) is used for power supply terminals.

● Retainer



| Part Number   | HRS No.    | Material | Color     | RoHS |
|---------------|------------|----------|-----------|------|
| GT13SH-1/1S-R | 763-0049-0 | PBT      | Dark Gray | YES  |

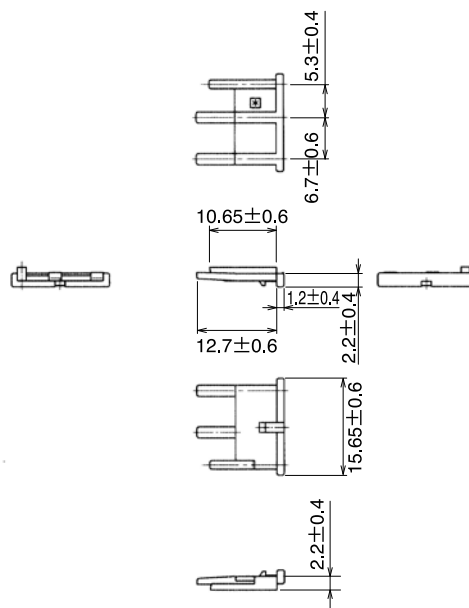
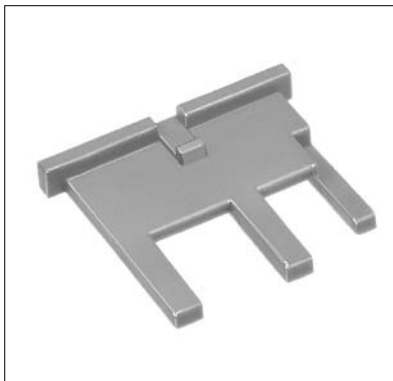
■ F Housing(2 Coaxials + 1 Power contact)



| Part Number    | HRS No.    | Material | Color      | RoHS |
|----------------|------------|----------|------------|------|
| GT13SH-2/1S-HU | 763-0065-6 | PBT      | Light Gray | YES  |

Note : GT7-2022SCF(70) or GT7A-2022SCF(70) is used for power supply terminals.

● Retainer



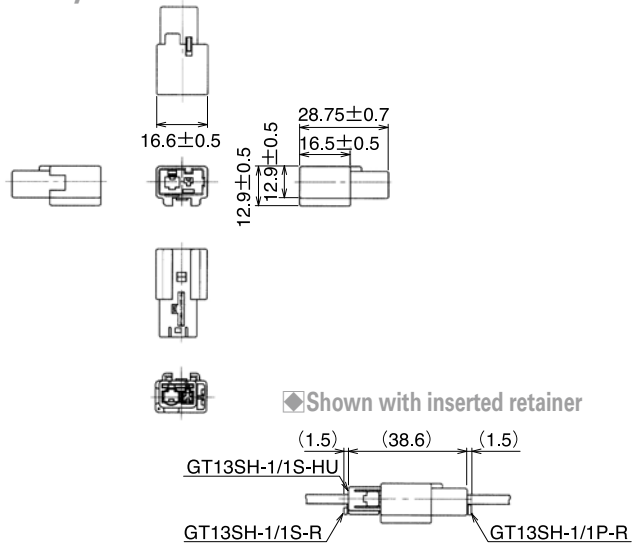
| Part Number   | HRS No.    | Material | Color     | RoHS |
|---------------|------------|----------|-----------|------|
| GT13SH-2/1S-R | 763-0064-3 | PBT      | Dark Gray | YES  |

### M Housing(1 Coaxial + 1 Power contact)



| Part Number     | HRS No.    | Material | Color      | RoHS |
|-----------------|------------|----------|------------|------|
| GT13SH-1/1PP-HU | 763-0055-2 | PBT      | Light Gray | YES  |

Note : Power supply terminal is GT7-2022PCF(70) or GT7A-2022PCF(70).

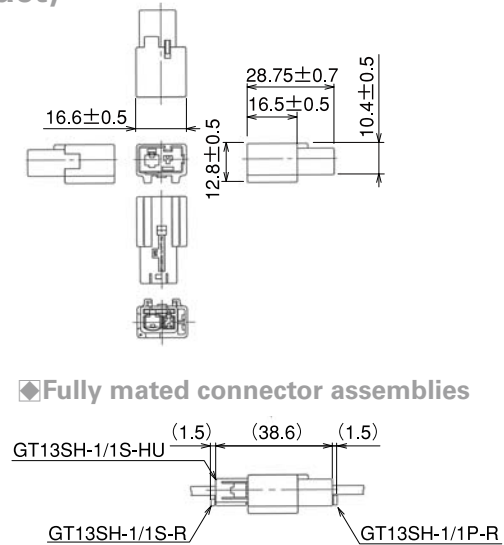


### M Housing(1 Coaxial + 1 Power contact)



| Part Number      | HRS No.    | Material | Color      | RoHS |
|------------------|------------|----------|------------|------|
| GT13SHN-1/1PP-HU | 763-0078-8 | PBT      | Light Gray | YES  |

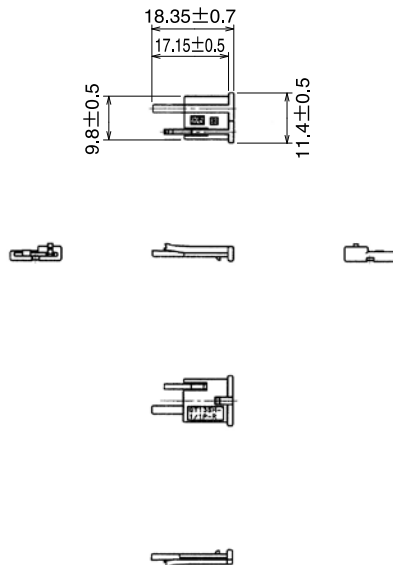
Note : Power supply terminal is GT7-2022PCF(70) or GT7A-2022PCF(70).



### Retainer

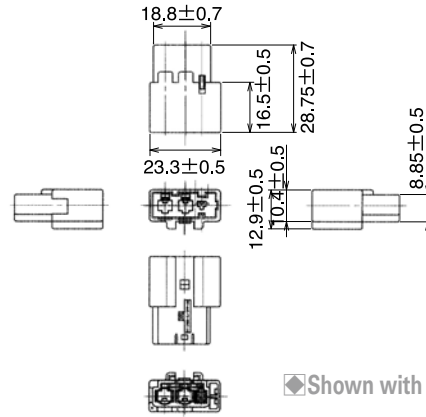


| Part Number   | HRS No.    | Material | Color     | RoHS |
|---------------|------------|----------|-----------|------|
| GT13SH-1/1P-R | 763-0056-5 | PBT      | Dark Gray | YES  |

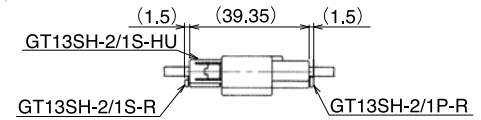




## M Housing(2 Coaxials + 1 Power contact)



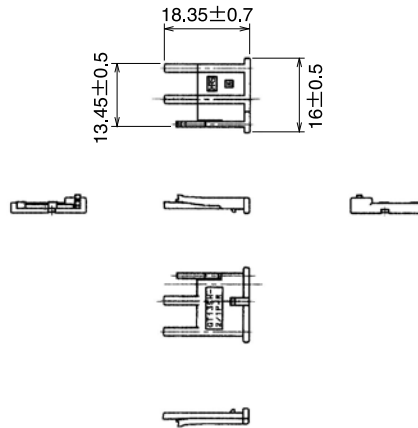
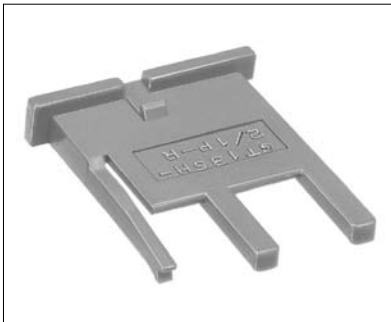
◆ Shown with inserted retainer



| Part Number     | HRS No.    | Material | Color      | RoHS |
|-----------------|------------|----------|------------|------|
| GT13SH-2/1PP-HU | 763-0076-2 | PBT      | Light Gray | YES  |

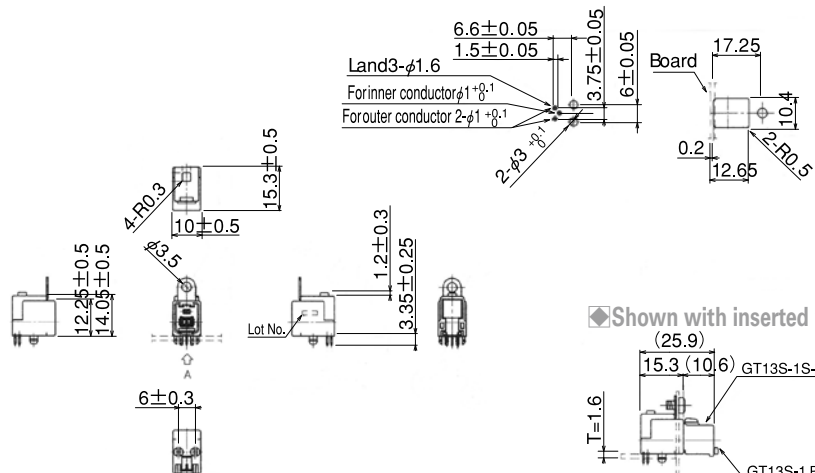
Note : GT7-2022SCF(70) or GT7A-2022SCF(70) is used for power supply terminals.

## Retainer



| Part Number   | HRS No.    | Material | Color     | RoHS |
|---------------|------------|----------|-----------|------|
| GT13SH-2/1P-R | 763-0077-5 | PBT      | Dark Gray | YES  |

## Printed Circuit Board Type(1 Coaxial)



◆ Recommended Board Mounting Pattern

◆ Recommended Panel Cut-out

◆ Shown with inserted retainer

| Part Number    | HRS No.    | Material | Color      | RoHS |
|----------------|------------|----------|------------|------|
| GT13SHA-1PP-DS | 763-0062-8 | PBT      | Light Gray | YES  |

| Part                  | Material     | Color/Finish |
|-----------------------|--------------|--------------|
| Housing               | PBT          | —            |
| Center terminal       | Copper alloy | Tin plating  |
| Outside tube terminal | Copper alloy | Tin plating  |
| Metal bracket         | Copper alloy | Tin plating  |

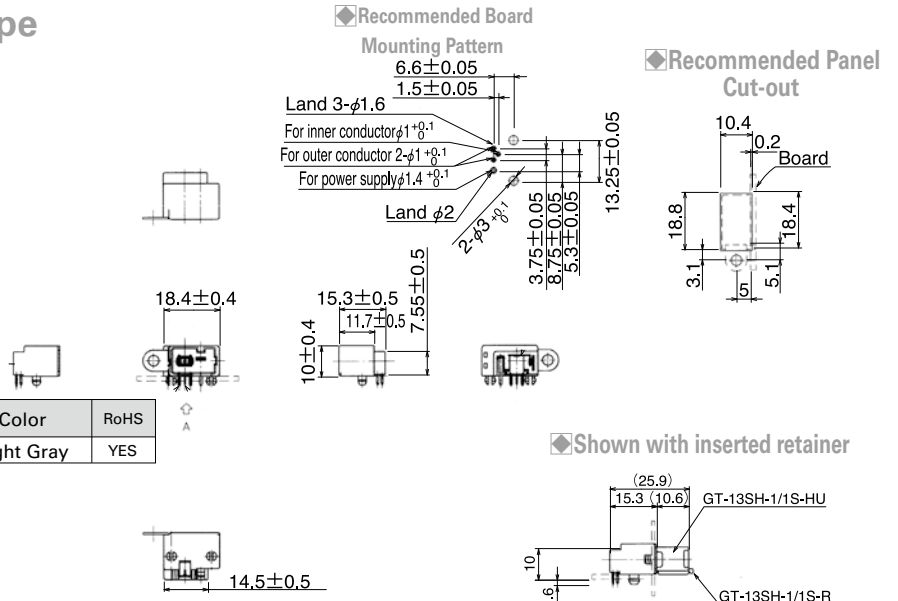
GT 5  
 GT 13  
 GT 16  
 PO5G  
 GT 11  
 GT 17  
 GT 19  
 GT 26  
 GT 27  
 GT 3  
 GT 6W  
 GT 7  
 GT 10  
 GT 18W  
 GT 15  
 GT 8  
 GT 9  
 GT 25  
 GT 22

### Printed Circuit Board Type (1 Coaxial + 1 Power contact)

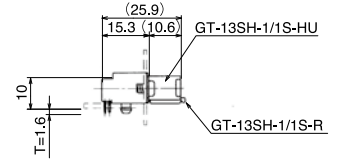


| Part Number     | HRS No.    | Material | Color      | RoHS |
|-----------------|------------|----------|------------|------|
| GT13SH-1/1PP-DS | 763-0050-9 | PBT      | Light Gray | YES  |

| Part                  | Material     | Color/Finish |
|-----------------------|--------------|--------------|
| Housing               | PBT          | —            |
| Center terminal       | Copper alloy | Tin plating  |
| Outside tube terminal | Copper alloy | Tin plating  |
| Power terminal        | Copper alloy | Tin plating  |
| Metal bracket         | Copper alloy | Tin plating  |



Shown with inserted retainer

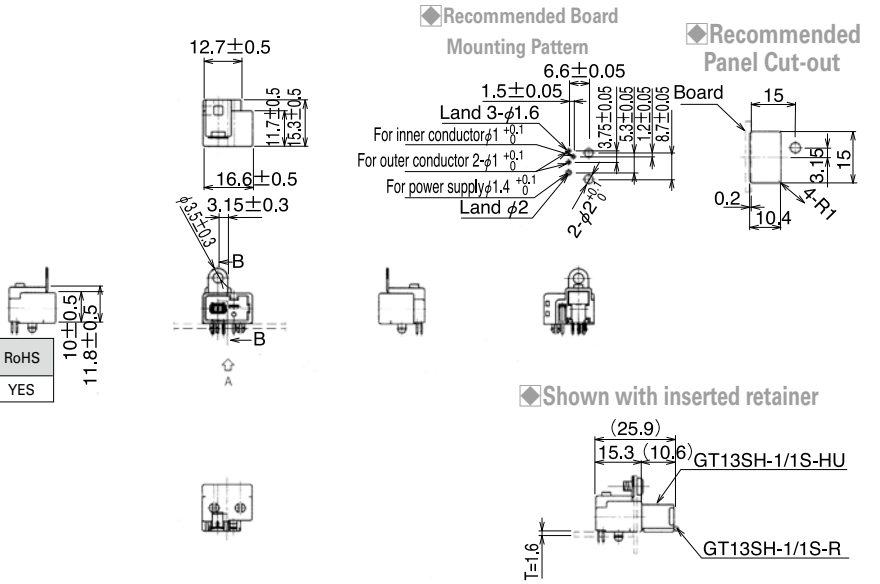


### Printed Circuit Board Type (1 Coaxial + 1 Power contact)

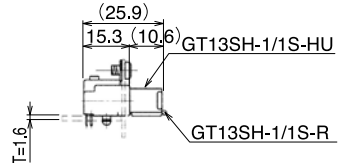


| Part Number      | HRS No.    | Material | Color      | RoHS |
|------------------|------------|----------|------------|------|
| GT13SHA-1/1PP-DS | 763-0057-8 | PBT      | Light Gray | YES  |

| Part                  | Material     | Color/Finish |
|-----------------------|--------------|--------------|
| Housing               | PBT          | —            |
| Center terminal       | Copper alloy | Tin plating  |
| Outside tube terminal | Copper alloy | Tin plating  |
| Power terminal        | Copper alloy | Tin plating  |
| Metal bracket         | Copper alloy | Tin plating  |



Shown with inserted retainer

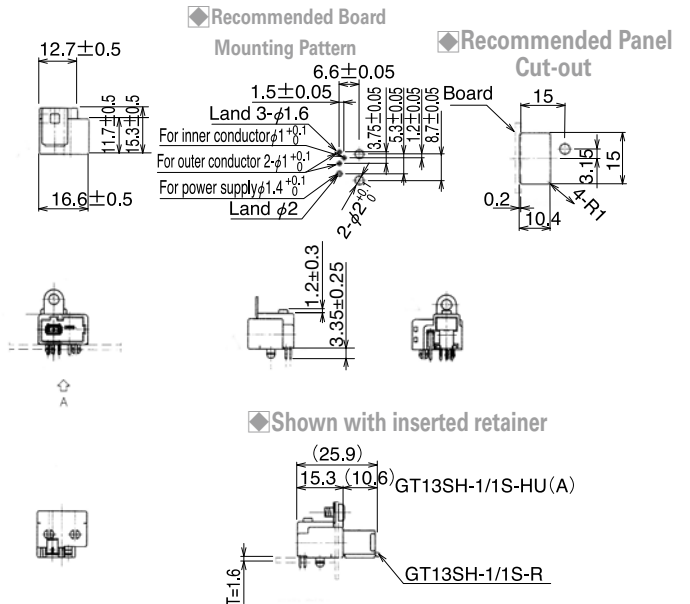


### Printed Circuit Board Type (1 Coaxial + 1 Power contact)

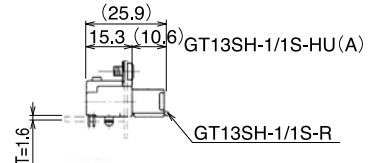


| Part Number         | HRS No.    | Material | Color | RoHS |
|---------------------|------------|----------|-------|------|
| GT13SHA-1/1PP-DS(A) | 763-0058-0 | PBT      | Brawn | YES  |

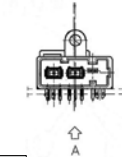
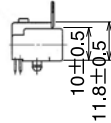
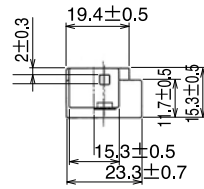
| Part                  | Material     | Color/Finish |
|-----------------------|--------------|--------------|
| Housing               | PBT          | —            |
| Center terminal       | Copper alloy | Tin plating  |
| Outside tube terminal | Copper alloy | Tin plating  |
| Power terminal        | Copper alloy | Tin plating  |
| Metal bracket         | Copper alloy | Tin plating  |



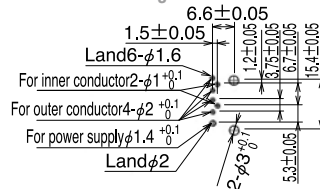
Shown with inserted retainer



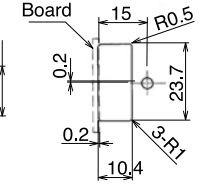
## Printed Circuit Board Type (2 Coaxials + 1 Power contact)



Recommended Board Mounting Pattern



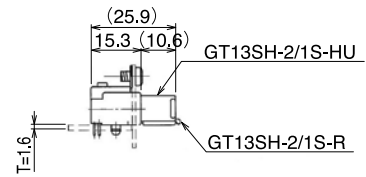
Recommended Panel Cut-out



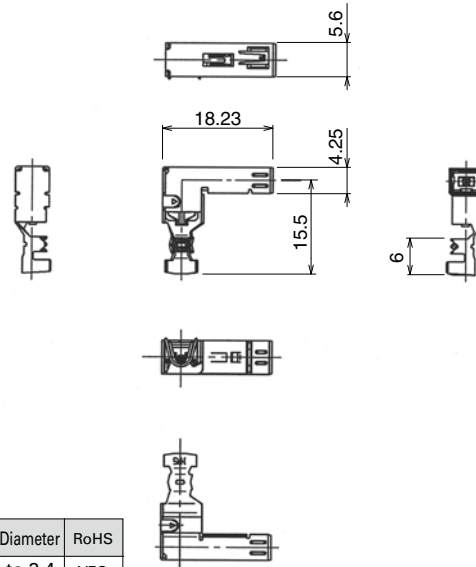
| Part Number      | HRS No.    | Material | Color      | RoHS |
|------------------|------------|----------|------------|------|
| GT13SHA-2/1PP-DS | 763-0063-0 | PBT      | Light Gray | YES  |

| Part                  | Material     | Color/Finish |
|-----------------------|--------------|--------------|
| Housing               | PBT          | —            |
| Center terminal       | Copper alloy | Tin plating  |
| Outside tube terminal | Copper alloy | Tin plating  |
| Power terminal        | Copper alloy | Tin plating  |
| Metal bracket         | Copper alloy | Tin plating  |

Shown with inserted retainer

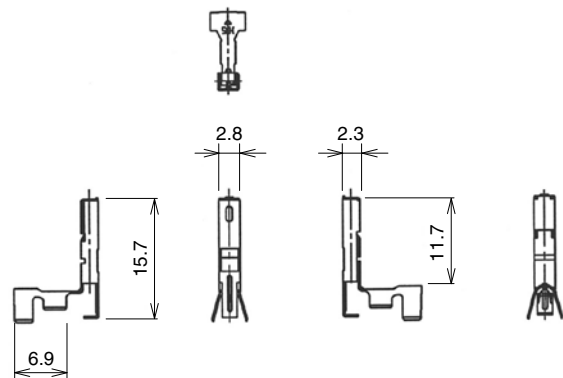
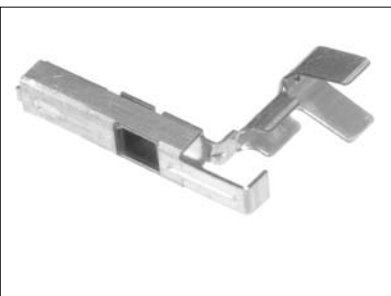


## F Terminal



| Part Number         | HRS No.       | Conductor Size (AWG) | Inner Insulation Diameter | Outer Diameter | RoHS |
|---------------------|---------------|----------------------|---------------------------|----------------|------|
| GT13R-1.6-2.9SC(70) | 763-0073-4-70 | AWG#20~22            | φ 1.5 to 2                | φ 2.6 to 3.4   | YES  |

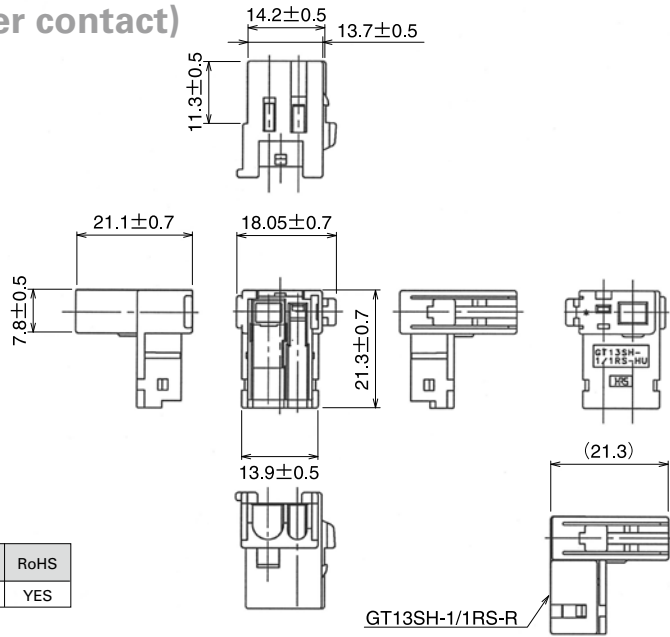
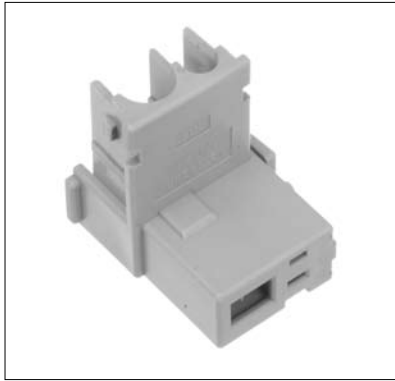
## F Terminal



| Part Number  | HRS No.    | Conductor Size (AWG) | Outer Diameter | RoHS |
|--------------|------------|----------------------|----------------|------|
| GT7RA-2022SC | 757-0032-5 | AWG#20~22            | φ 2.6 to 3.1   | YES  |

- GT 5
- GT 13
- GT 16
- PO5G
- GT 11
- GT 17
- GT 19
- GT 26
- GT 27
- GT 3
- GT 6W
- GT 7
- GT 10
- GT 18W
- GT 15
- GT 8
- GT 9
- GT 25
- GT 22

## F Housing(1 Coaxial +1 Power contact)

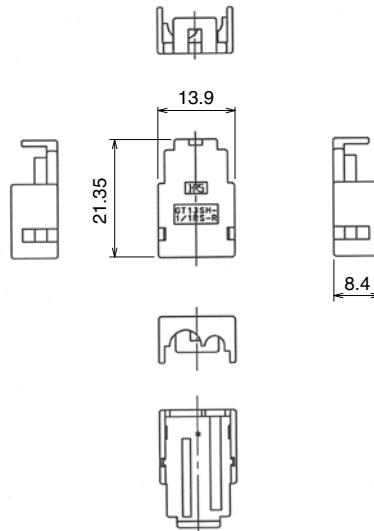


◆ Shown with inserted retainer

| Part Number     | HRS No.    | Material | Color      | RoHS |
|-----------------|------------|----------|------------|------|
| GT13SH-1/1RS-HU | 763-0074-7 | PBT      | Light Gray | YES  |

Note1 : GT7RA-2022SC is used for power supply terminals.  
 Note2 : GT13R-1.6-2.9SC is used for signal.

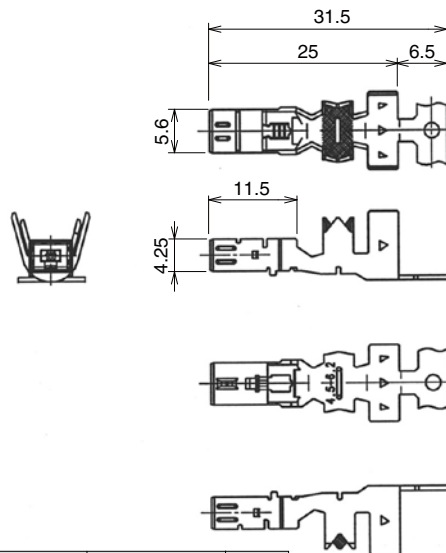
### ● Retainer (Used with GT13SH-1/1RS-HU)



| Part Number    | HRS No.    | Material | Color     | RoHS |
|----------------|------------|----------|-----------|------|
| GT13SH-1/1RS-R | 763-0075-0 | PBT      | Dark Gray | YES  |

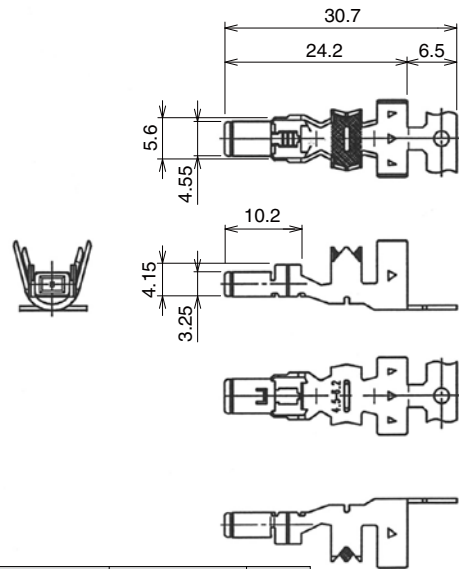
## GT13GM Series

### F Terminals



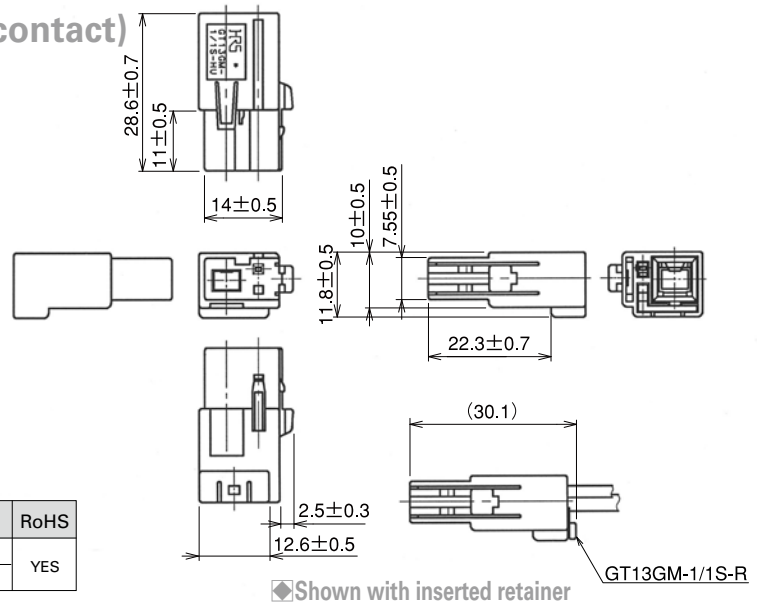
| Part Number            | HRS No.    | Conductor Size (AWG) | Inner Insulation Diameter | Outer Diameter | Packaging     | RoHS |
|------------------------|------------|----------------------|---------------------------|----------------|---------------|------|
| GT13GM-2022/4.5-6.2SCF | 763-0084-0 | AWG#20~22            | φ 4.2 to 4.8              | φ 5.8 to 6.6   | 1400 pcs/reel | YES  |

### M Terminals



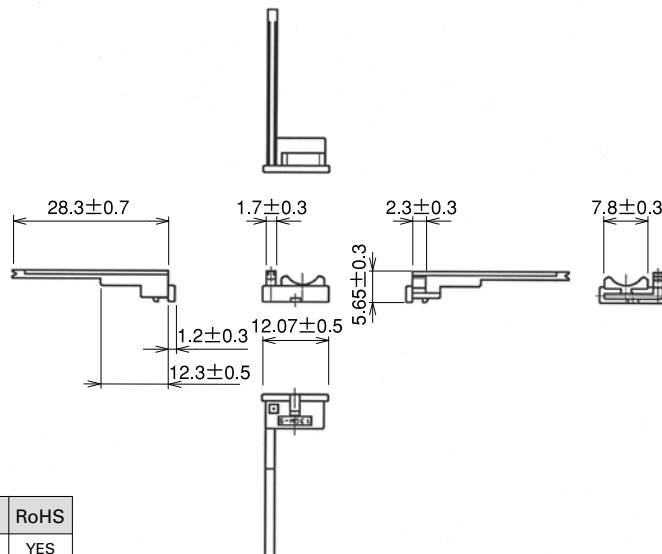
| Part Number            | HRS No.    | Conductor Size (AWG) | Inner Insulation Diameter | Outer Diameter | Packaging     | RoHS |
|------------------------|------------|----------------------|---------------------------|----------------|---------------|------|
| GT13GM-2022/4.5-6.2PCF | 763-0085-3 | AWG#20~22            | φ 4.2 to 4.8              | φ 5.8 to 6.6   | 1400 pcs/reel | YES  |

### F Housing(1 Coaxial +1 Power contact)



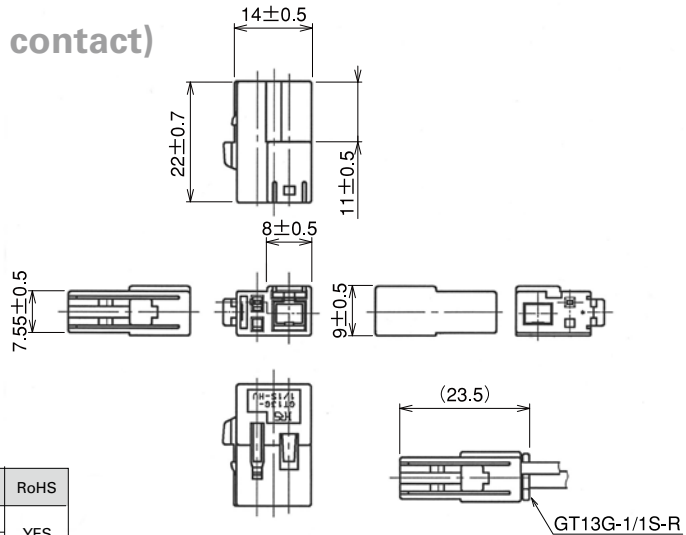
| Part Number        | HRS No.       | Material | Color      | RoHS |
|--------------------|---------------|----------|------------|------|
| GT13GM-1/1S-HU     | 763-0088-6    | PBT      | Light Gray | YES  |
| GT13GM-1/1S-HU(22) | 763-0088-6-22 | PBT      | White      |      |

### Retainer (Only for GT13GM-1/1S-HU)



| Part Number   | HRS No.    | Material | Color     | RoHS |
|---------------|------------|----------|-----------|------|
| GT13GM-1/1S-R | 763-0087-9 | PBT      | Dark Gray | YES  |

### F Housing(1 Coaxial +1 Power contact)

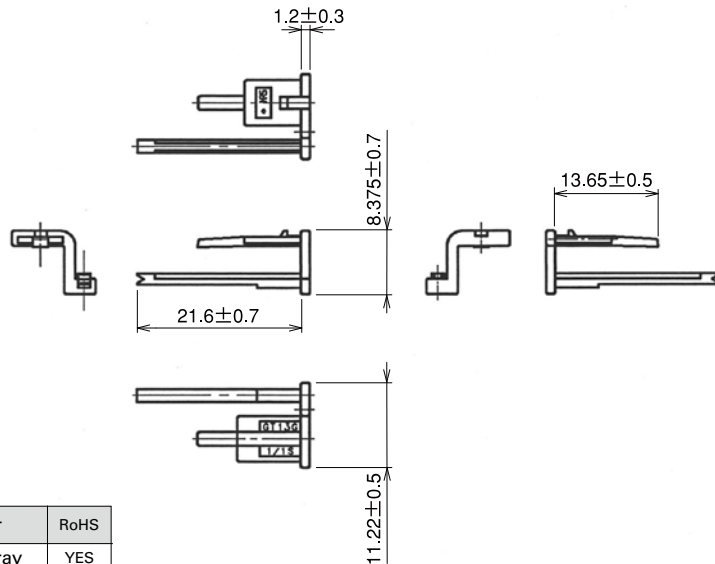


◆ Shown with inserted retainer

| Part Number       | HRS No.       | Material | Color      | RoHS |
|-------------------|---------------|----------|------------|------|
| GT13G-1/1S-HU     | 763-0090-3    | PBT      | Light Gray | YES  |
| GT13G-1/1S-HU(22) | 763-0090-3-22 | PBT      | White      | YES  |

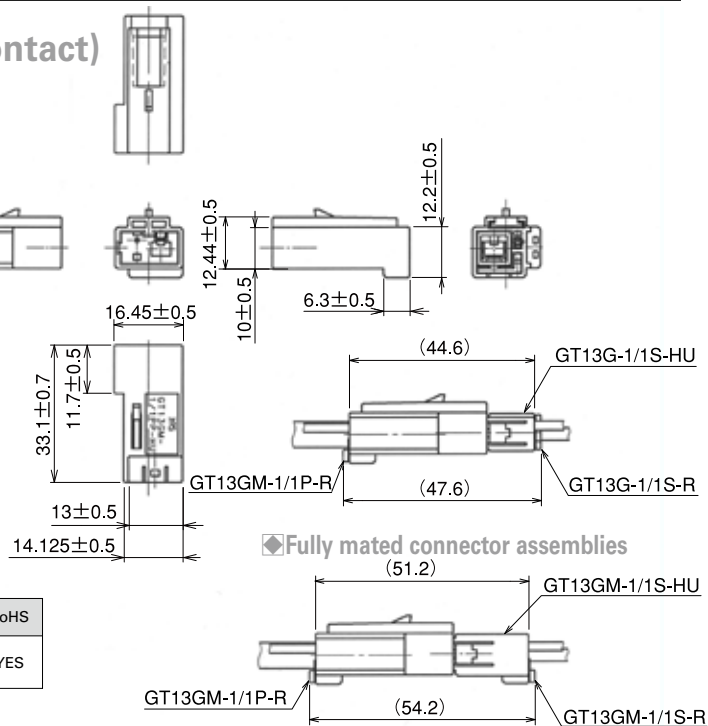
Note : Retor to page 30, 31 for F terminals.

### ● Retainer (Only for GT13G-1/1S-HU)



| Part Number  | HRS No.    | Material | Color     | RoHS |
|--------------|------------|----------|-----------|------|
| GT13G-1/1S-R | 763-0091-6 | PBT      | Dark Gray | YES  |

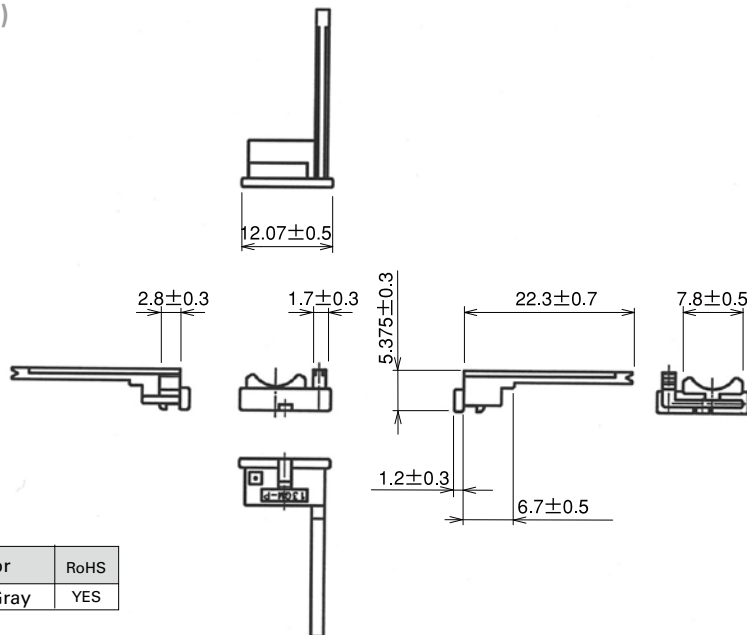
### M Housing(1 Coaxial +1 Power contact)



◆ Fully mated connector assemblies

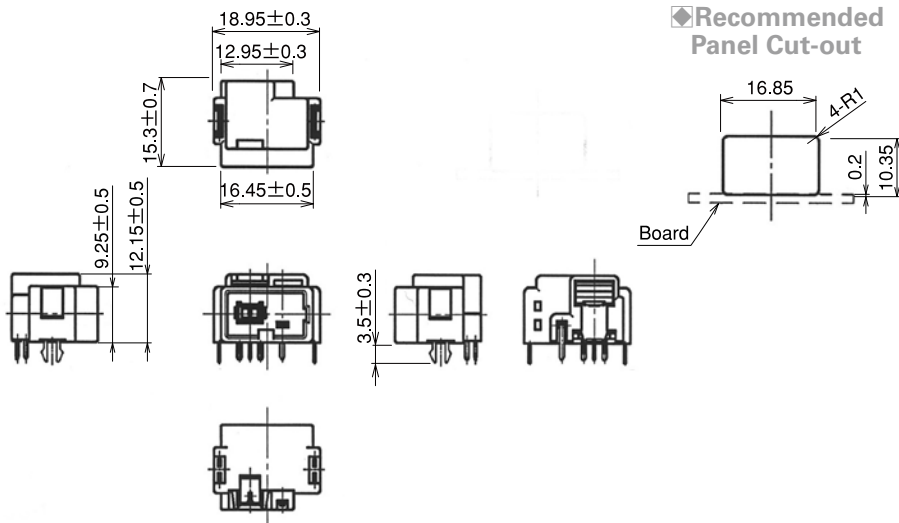
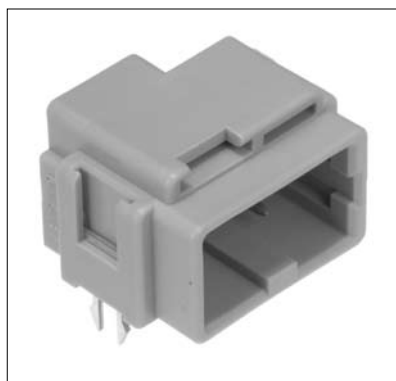
| Part Number         | HRS No.       | Material | Color     | RoHS |
|---------------------|---------------|----------|-----------|------|
| GT13GM-1/1PP-HU     | 763-0091-6    | PBT      | Dark Gray | YES  |
| GT13GM-1/1PP-HU(22) | 763-0091-6-22 | PBT      | White     | YES  |

● Retainer (Only for GT13GM-1/1PP-HU)

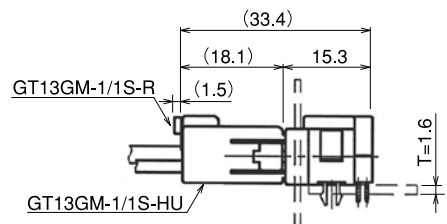


| Part Number   | HRS No.    | Material | Color     | RoHS |
|---------------|------------|----------|-----------|------|
| GT13GM-1/1P-R | 763-0089-4 | PBT      | Dark Gray | YES  |

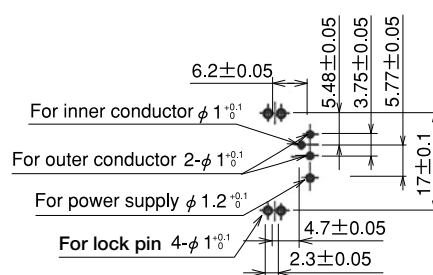
■ Printed Circuit Board Type (1 Coaxial + 1 Power contact)



◆ Fully mated connector assemblies



◆ Recommended Board Mounting Pattern



| Part Number         | HRS No.       | Material | Color      | Corresponding F connector       | RoHS |
|---------------------|---------------|----------|------------|---------------------------------|------|
| GT13GM-1/1PP-DS(10) | 763-0094-4-10 | PBT      | Light Gray | GT13G-1/1S-HU<br>GT13GM-1/1S-HU | YES  |

| Part                  | Material     | Color/Finish |
|-----------------------|--------------|--------------|
| Housing               | PBT          | —            |
| Center terminal       | Copper alloy | Tin plating  |
| Outside tube terminal | Copper alloy | Tin plating  |
| Power terminal        | Copper alloy | Tin plating  |
| Metal bracket         | Copper alloy | Tin plating  |

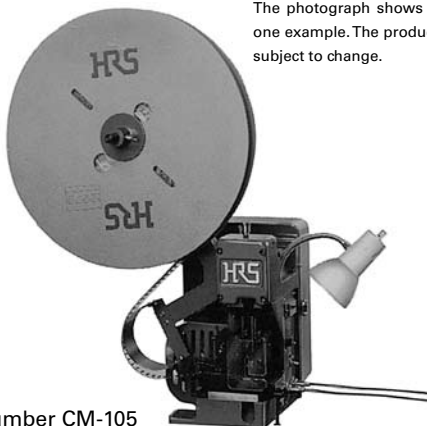
GT 5  
**GT 13**  
 GT 16  
 PO5G  
 GT 11  
 GT 17  
 GT 19  
 GT 26  
 GT 27  
 GT 3  
 GT 6W  
 GT 7  
 GT 10  
 GT 18W  
 GT 15  
 GT 8  
 GT 9  
 GT 25  
 GT 22

Coaxial cable connection of Antennas, Sensors, and Communication Trunk Lines

## ◆ Termination Tools

User's manuals are available. Please contact a Hirose Electric account representative.

### Automatic Crimping Machine



The photograph shows just one example. The product is subject to change.

Part Number CM-105

\* Crimp height setting tables are available for each cable type. Please contact your nearest Hirose Electric account representative.  
Different cables will require different crimp height settings.

● **Special reel stand is required.**

### ● Harness Tool

| Part Number               | HRS No.    |
|---------------------------|------------|
| AP105-GT13-2428/1.6-2.9-S | 901-5073-1 |
| AP105-GT13-2428/1.6-2.9P  | 901-5074-7 |
| AP105-GT13-30/1.6-2.9S-ID | 901-5099-5 |
| AP105-GT13-30/1.6-2.9P-ID | 901-5118-8 |
| AP105-GT13-30/1.6-2.9S    | 901-5116-2 |
| AP105-GT13-30/1.6-2.9P    | 901-5119-0 |

## Specifications

| Item              | Specification     | Remarks       |
|-------------------|-------------------|---------------|
| Specification     | 1.5tons           |               |
| Stroke Length     | 30mm              |               |
| Number of strokes | 200spm (50Hz)     | 200spm (60Hz) |
| Weight            | 75kg              |               |
| Motor             | 0.2kW             | AC 100V       |
| Crimping speed    | 2000 to 4000pcs/h |               |