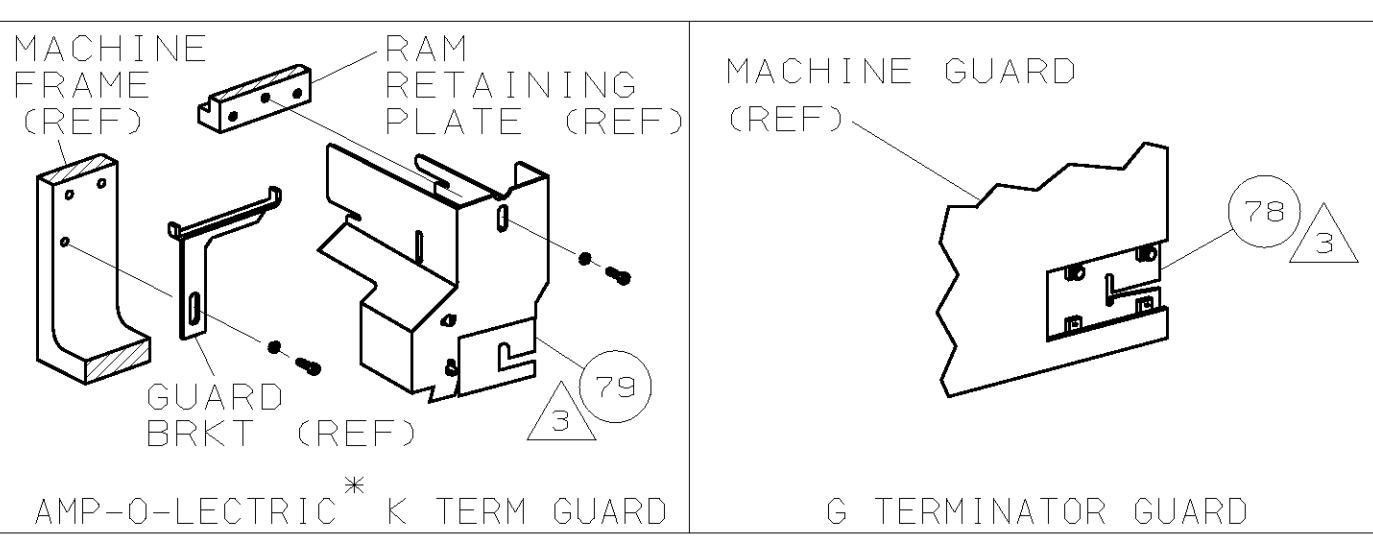
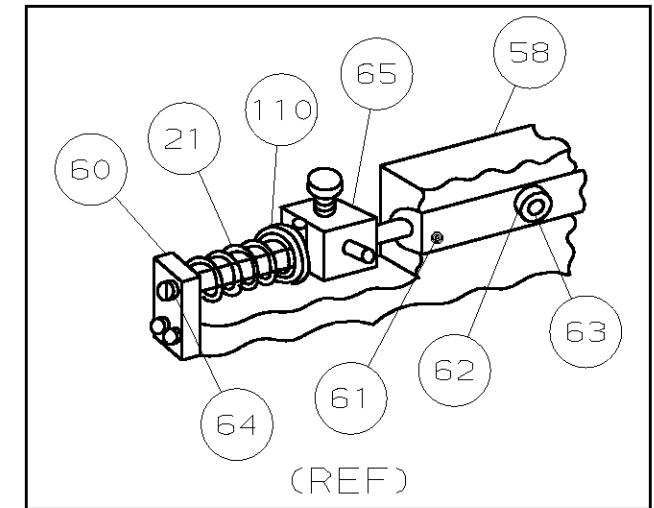


PART NUMBER	REV	FIRST USED
680085-1	B	854400-1
680085-2	B	565435-5
680085-3	B	354500-1



TERMINAL NAME:		CRIMPING DATA			
AMPLIVAR SPLICE (MINIATURE)		PAD LTR	CRIMP HEIGHT	WIRE SIZE	
CRIMP	SIZE	TYPE	RANGE		
WIRE	.070	F	400-2000 CMA		
INSUL	-	-	-		
FEED	.330	APPL INST	408-8040	SET UP GAGE	458637-1
TERM APPL SPEC	114-2016	LAYOUT	L1565		
		WIRE STRIP LENGTH	-		

QTY	RECD	PER	ASSY	DESCRIPTION	ITEM NO		
2	2	2	-	C	5-354779-0	PIN, WIRE DISC (.3240)D	129
2	2	2	-	C	4-354779-2	PIN, WIRE DISC (.3200)C	128
2	2	2	-	C	3-354779-4	PIN, WIRE DISC (.3160)B	127
2	2	2	-	C	2-354779-6	PIN, WIRE DISC (.3120)A	126
1	1	1	-	A	986950-1	WASHER, FLAT PRECISION	125
2	2	2	-	A	21045-3	RING, RET "C" (Ø.187)FD FING PIN	124
2	2	2	-	A			123
1	1	1	-	A	5-21028-1	PIN, SLT SPR (Ø.125x.50)ADJ ROD	122
1	1	1	-	A	4-21028-0	PIN, SLT SPR (Ø.093x.75)ST GDF PL	121
1	1	1	-	A	1-21030-1	PIN, DOWEL (Ø.187x.50)LEVER	120
1	1	1	-	A	1-21030-6	PIN, DOWEL (Ø.187x1.25)HOUSING	119
5	5	5	-	A	21024-5	WASHER, LOCK (#10)ADJ BLOCK	118
							117
							116
							115
2	2	2	-	A	21024-2	WASHER, LOCK (#4)FRONT STP GUIDE	114
							113
							112
4	4	4	-	A	21024-4	WASHER, LOCK (#8) STRIPPER	111
1	1	1	-	A	21899-4	WASHER, FLAT (Ø5/16) SCREW ADJ	110
							109
							108
1	1	1	-	A	21018-5	NUT, HEX (6-32)FEED ADJ	107
							106
1	1	1	-	A	22353-8	SCR, SHLD (Ø.187x.25)DRAG LEVER	105
							104
1	1	1	-	A	21009-2	SCR, SKT 5ET (1/4-20x.25 LW)RAM	103
2	2	2	-	A	21017-2	SCR, DRIVE (#2x.19)ID PLATE	102
1	1	1	-	A	6-23715-5	SCR, PAN HD (6-32x1.50)FEED ADJ	101
1	1	1	-	B	461264-1	PLATE, IDENTIFICATION	100
2	2	2	-	A	5-21006-6	SCR, SET, 10-32 X .75	99
1	1	1	-	A	22733-8	SCR, BHC (8-32x.38 LW)ANVIL	98
2	2	2	-	A	2-21002-9	SCR, BHC (10-32x.75)CAP	97
3	3	3	-	A	2-22733-8	SCR, BHC (1/4-20x.62)HOUSING	96
1	1	1	-	A	2-21002-7	SCR, BHC (10-32x.50)56 ADJ BLOCK	95
2	2	2	-	A	2-21002-2	SCR, BHC (8-32x.50)SHEAR	94
2	2	2	-	A	2-21002-1	SCR, BHC (8-32x.38)R STRIP GUIDE	93
							92
							91
1	1	1	-	A	1-21002-7	SCR, BHC (6-32x.38)CAM	90
							89
							88
2	2	2	-	A	7-21000-4	SCR, SHC (8-32x.31)DEP-HOLD	87
1	1	1	-	A	2-22603-0	SCR, HEX HD (8-32x.31)FEED FINGER	86
2	2	2	-	A	1-21000-3	SCR, SHC (4-40x.25)F ST GUIDE	85
1	1	1	-	A	2-21000-7	SCR, SHC (8-32x.50)STRIPPER	84
2	2	2	-	A	3-21000-7	SCR, SHC (10-32x.75)FEED ROD GD	83
2	2	2	-	A	3-21000-6	SCR, SHC (10-32x.62)FEED ADJ BLK	82
2	2	2	-	A	3-21000-4	SCR, SHC (10-32x.38)56 ADJ BL	81
							80
-	REF	-	-	B	455749-1	GUARD, WINDOW	79
REF	-	-	-	B	679532-1	INSERT, GUARD	78
							77
							76
							75
							74
							73
1	1	1	-	A	458109-1	WASHER, SPECIAL	72
1	1	1	-	A	690517-1	SPACER	71
							70
							69
							68
							67
							66
							65
							64
							63
							62
							61
							60
							59
							58
							57
							56
							55
							54
							53
							52
							51
							50
							49
							48
							47
							46
							45
							44
							43
							42
							41
							40
							39
							38
							37
							36
							35
							34
							33
							32
							31
							30
							29
							28
							27
							26
							25
							24
							23
							22
							21
							20
							19
							18
							17
							16
							15
							14
							13
							12
							11
							10
							9
							8
							7
							6
							5
							4
							3
							2
							1

QTY	RECD	PER	ASSY	DESCRIPTION	ITEM NO		
-1				LEADMAKER			
-2				BENCH MODEL K	MECH PRE FEED		
-3				BENCH MODEL G	MECH PRE FEED		
1	1	1	-	B	22594-8	NUT, HEX (1/2-20)	70
1	1	1	-	B	240628-1	PLATE, ADJUSTMENT	69
1	1	1	-	B	240626-1	SHAFT, PIVOT	68
1	1	1	-	B	240633-1	BUSHING	67
1	1	1	-	A	455680-1	LEVER, INTERMEDIATE	66
1	1	1	-	B	240629-1	BLOCK, PIVOT	65
1	1	1	-	A	240632-2	SCREW, ADJ FEED ROD	64
1	1	1	-	B	240659-3	PIN, CAM ROLLER	63
1	1	1	-	B	240658-1	ROLLER, CAM	62
1	1	1	-	B	454398-2	ROD, FEED	61
1	1	1	-	A	454178-1	GUIDE, FEED ROD	60
1	1	1	-	C	454220-1	CAP, RAM	59
1	1	1	-	D	454485-1	HOUSING	58
							57
							56
							55
							54
							53
							52
							51
							50
							49
-	1	-	-	B	690602-6	CAM, PRE-FEED 1 5/8 ST	49
-	1	-	-	B	690602-5	CAM, PRE-FEED 1 1/8 ST	48
-	-	1	-	B	690501-4	CAM, POST-FEED 1 5/8 ST	47
							46
							45
							44
							43
							42
							41
							40
							39
							38
1	1	1	-	A	690223-2	SPACER, INSULATION DISC	38
1	1	1	-	D	354777-1	WIRE DISC, PLASTIC	37
1	1	1	-	A	22480-5	WASHER, SPRING	36
1	1	1	-	B	690212-1	POST, RAM	35
							34
1	1	1	-	A	690191-1	PLUG, NYLON	45
1	1	1	-	C	455673-4	RAM	44
1	1	1	-	A	690125-1	WASHER, LAMINATED	43
1	1	1	-	A	690124-1	WASHER, RAM	42
1	1	1	-	A	7-21002-9	BOLT, CRIMPER (5/16x1.00)	41
							40
							39
							38
1	1	1	-	A	690223-2	SPACER, INSULATION DISC	38
1	1	1	-	D	354777-1	WIRE DISC, PLASTIC	37
1	1	1	-	A	22480-5	WASHER, SPRING	36
1	1	1	-	B	690212-1	POST, RAM	35
							34
							33
1	1	1	-	D	455675-8	PLATE, BASE	33
1	1	1	-	A	690432-3	SCREW, ADJUSTMENT	32
							31
							30
1	1	1	-	B	816182-1	BLOCK, STRIP GUIDE ADJ	30
1	1	1	-	C	844048-5	PLATE, STRIP GUIDE	29
							28
2	2	2	-	A	1-22284-0	SPRING, DRAG	27
1	1	1	-	B	240793-1	LEVER, DRAG RELEASE	26
1	1	1	-	B	240792-1	DRAG, TERMINAL	25
1	1	1	-	D	690438-1	GUIDE, STRIP (REAR)	24
1	1	1	-	A	189124-1	GUIDE, STRIP (FRONT)	23
1	1	1	-	B	456468-5	STRIPPER	22
1	1	1	-	A	4-22284-9	SPRING, FEED RETURN	21
							20
							19
							18
1	1	1	-	A	691668-1	GUARD, CHIP (REAR)	17
							16
							15
							14
1	1	1	-	B	690462-1	HOLDER, SHEAR (REAR)	14
1	1	1	-	C	690463-1	SHEAR, FLOAT (REAR)	13
1	1	1	-	A	5-22280-0	SPRING, SHEAR	12
1	1	1	-				