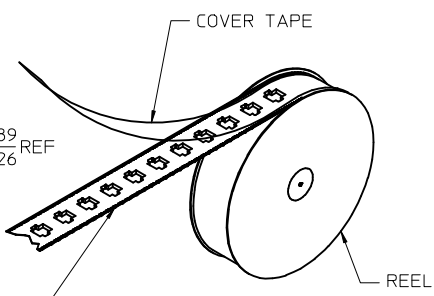
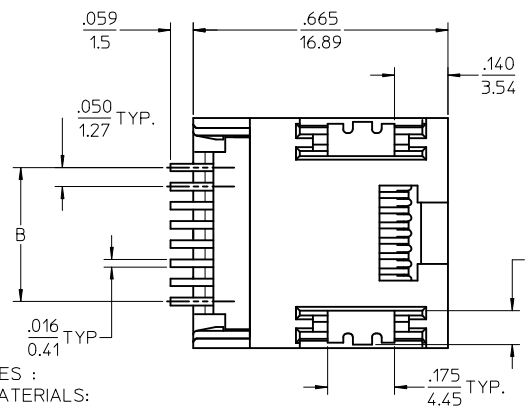


HOUSING SIZE	CIRCUIT SIZE	DIM. A	DIM. B
6	6	.520 (13.21)	.250 (6.35)
6	4	.520 (13.21)	.150 (3.81)
6	2	.520 (13.21)	.050 (1.27)
8	8	.600 (15.24)	.350 (8.89)
8	6	.600 (15.24)	.250 (6.35)



NOTES :

1) MATERIALS:
 HOUSING: NYLON, GLASS-FILLED, UL94V-0; COLOR - SEE CHART
 TERMINALS: PHOSPHOR BRONZE, .012/(0.30) THICK
 FITTING NAILS: BRASS ALLOY, .010/(0.25) THICK

2) FINISH:
 TERMINALS:
 (A) SELECT GOLD IN CONTACT AREA: .000050/(0.00127) MIN., *SELECT MATTE TIN IN PC TAIL AREA: .000100/(0.00254) MIN., WITH OVERALL NICKEL UNDERPLATE: .000050/(0.00127) MIN.
 (B) SELECT GOLD IN CONTACT AREA: .000030/(0.00076) MIN., *SELECT MATTE TIN IN PC TAIL AREA: .000100/(0.00254) MIN., WITH OVERALL NICKEL UNDERPLATE: .000050/(0.00127) MIN.
 (C) SELECT GOLD IN CONTACT AREA: .000015/(0.00038) MIN., *SELECT MATTE TIN IN PC TAIL AREA: .000100/(0.00254) MIN., WITH OVERALL NICKEL UNDERPLATE: .000050/(0.00127) MIN.
 FITTING NAILS:
 *100 MICRONS MATTE TIN OVER 50 MICRONS NICKEL UNDERPLATE
 *THE PRIMARY SHIPPING CARTON WILL BE LABELED "ELV AND RoHS COMPLIANT" CARTONS WITHOUT THIS LABEL MAY CONTAIN PRODUCT WITH TIN-LEAD IN THE PC TAIL AND/OR FITTING NAILS.

3) PRODUCT SPECIFICATION: PS-43743-001

4) COPLANARITY SPECIFICATION:
 WITH THE MODULAR JACK SITTING ON A LEVEL SURFACE, THE MAXIMUM GAP BETWEEN THE LEVEL SURFACE AND ALL TERMINAL TAILS AND BOTH FITTING NAILS IS .006/(0.15).

5) FOR ASSEMBLIES HAVING VOIDED CIRCUITS, THE TAIL PORTION IS CUT AND REMOVED. THE MATING PORTION OF THE TERMINAL REMAINS INTACT.

6) CONVECTION SOLDERING TECHNOLOGY SHOULD BE USED WHEN GANGING MODULAR JACKS WITH INBOARD NAILS SIDE-BY-SIDE.

7) THIS PART CONFORMS TO CLASS B REQUIREMENTS OF COSMETIC SPECIFICATION PS-45499-002.

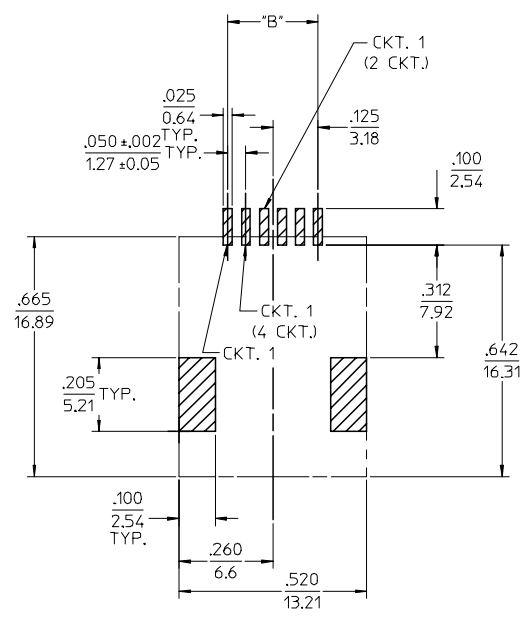
ASSEMBLY ITEM NO.	CONNECTOR SIZE	CIRCUIT SIZE	TERMINAL PLATING	TAPE & REEL PACKAGING No.	VOIDED CIRCUITS	HOUSING COLOR
44144-0001	8	4	A	PK-70873-7002	NA	BLACK
44144-0002	8	6	A	PK-70873-7002		
44144-0003	8	8	A	PK-70873-7002		
44144-0004	6	4	A	PK-70873-7001		
44144-0005	6	6	A	PK-70873-7001		
44144-0006	8	4	B	PK-70873-7002		
44144-0007	8	6	B	PK-70873-7002		
44144-0008	8	8	B	PK-70873-7002		
44144-0009	6	4	B	PK-70873-7001		
44144-0010	6	6	B	PK-70873-7001		
44144-0011	8	4	C	PK-70873-7002		
44144-0012	8	6	C	PK-70873-7002		
44144-0013	8	8	C	PK-70873-7002		
44144-0014	6	4	C	PK-70873-7001		
44144-0015	6	6	C	PK-70873-7001	NA	
44144-0016	8	4	C	PK-70873-7001	2,3,6,7	
44144-0017	6	2	A	PK-70873-7001	NA	
44144-0018	6	2	B	PK-70873-7001		
44144-0019	6	2	C	PK-70873-7001		
44144-0023	8	2	A	PK-70873-7002	NA	

TAPE AND REEL PACKAGING

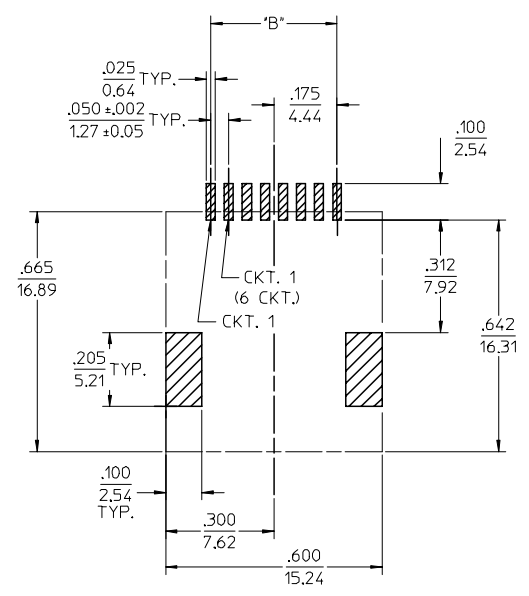
2	G
1	H4
SH	REV

REVISED NOTES EC NO: UCP2009-1244 DRWN:JKLOSTEMEIER2008/12/10 CHKD:JBELL 2008/12/10 APPR:FSMITH 2008/12/10	QUALITY SYMBOLS ▽=0 ▽=0	GENERAL TOLERANCES (UNLESS SPECIFIED)		DIMENSION STYLE IN/MM	SCALE 4:1	DESIGN UNITS INCH	THIRD ANGLE PROJECTION
		4 PLACES ± --- ± --- 3 PLACES ± --- ± .010 2 PLACES ± 0.25 ± .015 1 PLACE ± 0.38 ± ---	DRAWN BY: MUELLER DATE: 98/03/13	TITLE 4, 6, 8 CIRCUIT SMT MODULAR JACK W/ FLUSH FITTING NAILS			
		ANGULAR ±1/2°	CHECKED BY: ROBERTS DATE: 98/03/16	MOLEX INCORPORATED			
		DRAFT WHERE APPLICABLE MUST REMAIN WITHIN DIMENSIONS	APPROVED BY: R EDGLEY DATE: 98/03/17	MATERIAL NO. SEE CHART	DOCUMENT NO. SD-44144-001	SHEET NO. 1 OF 2	

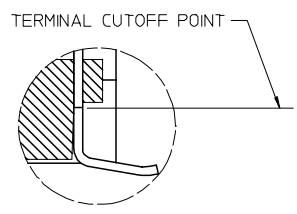
THIS DRAWING CONTAINS INFORMATION THAT IS PROPRIETARY TO MOLEX INCORPORATED AND SHOULD NOT BE USED WITHOUT WRITTEN PERMISSION



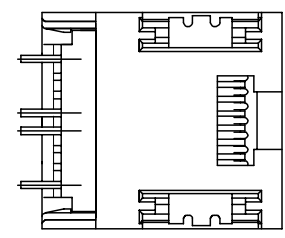
PCB LAYOUT FOR CONNECTOR SIZE 6
(COMPONENT SIDE OF BOARD)



PCB LAYOUT FOR CONNECTOR SIZE 8
(COMPONENT SIDE OF BOARD)



VIEW SHOWING TYPICAL TERMINAL
CUTOFF OF TAIL (SEE NOTE 5) FOR VOIDED CIRCUITS.



TYPICAL VIEW SHOWING VOIDED CIRCUIT
44144-0016 SHOWN

SEE SHEET ONE EC NO: UCP2004-0798 DRW:LSCHMIDT 2004/01/05 CHKD:LSCHMIDT 2004/01/05 APPR:FSMITH 2004/01/08	QUALITY SYMBOLS	GENERAL TOLERANCES (UNLESS SPECIFIED)	SCALE 4:1	DESIGN UNITS INCH	THIRD ANGLE PROJECTION	REVISE ON CAD ONLY																			
	DESCRIPTION ▽ = 0 ▽ = 0	<table border="1"> <tr> <th></th> <th>mm</th> <th>INCH</th> </tr> <tr> <td>4 PLACES</td> <td>± .005</td> <td>± .001</td> </tr> <tr> <td>3 PLACES</td> <td>± .010</td> <td>± .002</td> </tr> <tr> <td>2 PLACES</td> <td>± 0.25</td> <td>± .015</td> </tr> <tr> <td>1 PLACE</td> <td>± 0.38</td> <td>± .015</td> </tr> </table>		mm	INCH	4 PLACES	± .005	± .001	3 PLACES	± .010	± .002	2 PLACES	± 0.25	± .015	1 PLACE	± 0.38	± .015	<table border="1"> <tr> <th colspan="2">DIMENSION STYLE</th> </tr> <tr> <td>IN/MM</td> <td></td> </tr> </table>	DIMENSION STYLE		IN/MM		TITLE	4, 6, 8 CIRCUIT SMT MODULAR JACK W/ FLUSH FITTING NAILS	
			mm	INCH																					
		4 PLACES	± .005	± .001																					
3 PLACES	± .010	± .002																							
2 PLACES	± 0.25	± .015																							
1 PLACE	± 0.38	± .015																							
DIMENSION STYLE																									
IN/MM																									
DRAFT WHERE APPLICABLE MUST REMAIN WITHIN DIMENSIONS	<table border="1"> <tr> <td>DRAWN BY</td> <td>DATE</td> </tr> <tr> <td>DSTAMBAU</td> <td>00/04/07</td> </tr> <tr> <td>CHECKED BY</td> <td>DATE</td> </tr> <tr> <td>BWIRKUS</td> <td>00/04/07</td> </tr> <tr> <td>APPROVED BY</td> <td>DATE</td> </tr> <tr> <td>R EDGLEY</td> <td>00/04/07</td> </tr> </table>	DRAWN BY	DATE	DSTAMBAU	00/04/07	CHECKED BY	DATE	BWIRKUS	00/04/07	APPROVED BY	DATE	R EDGLEY	00/04/07	<table border="1"> <tr> <td>MATERIAL NO.</td> <td>DOCUMENT NO.</td> <td>SHEET NO.</td> </tr> <tr> <td>SEE CHART</td> <td>SD-44144-001</td> <td>2 OF 2</td> </tr> </table>	MATERIAL NO.	DOCUMENT NO.	SHEET NO.	SEE CHART	SD-44144-001	2 OF 2					
DRAWN BY	DATE																								
DSTAMBAU	00/04/07																								
CHECKED BY	DATE																								
BWIRKUS	00/04/07																								
APPROVED BY	DATE																								
R EDGLEY	00/04/07																								
MATERIAL NO.	DOCUMENT NO.	SHEET NO.																							
SEE CHART	SD-44144-001	2 OF 2																							
THIS DRAWING CONTAINS INFORMATION THAT IS PROPRIETARY TO MOLEX INCORPORATED AND SHOULD NOT BE USED WITHOUT WRITTEN PERMISSION																									