



T-2
C7A(NE-2D)
C9A(NE-2J)
MIDGET
FLANGE BASE

See lamp ratings
on page L.

See recommended resistor
values on page L.

Neon Indicators

WITHOUT BUILT IN RESISTORS

MEET OR EXCEED ENVIRONMENTAL AND OPERATIONAL REQUIREMENTS
OF MIL-L-6723 AND MIL-L-3661B

When connecting a neon light to a circuit having one side grounded, always
connect the hot side of the circuit to the terminal marked + (center contact).

Omnidirectional lenses in Signal Colors. . . These
unique lenses are molded of high heat plastic. They
radiate light in all directions. Their heavy wall is rein-
forced by a threaded brass insert. This fitting receives
the lamp and screws into the internal thread of the
bushing. The bulb enters well into the plastic lens for
best effectiveness.

Whether used on the front or back insertion as-
sembly, the lens is readily removable from the front
of the panel, thus making the lamp accessible for
easy replacement.

MATERIALS AND FINISHES (For Front or Back Mtg. Assemblies)

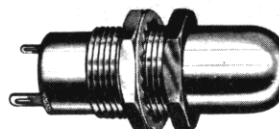
- **Mounting Bushing:** Brass: black nickel finish. Optional—
White nickel or chrome finish.
- **Mounting Bushing:** Brass, white nickel or chrome finish.
- **Mounting Nut:** (movable flange)—Brass, white nickel finish.
- **Flange Nut:** (movable)—Brass, black nickel finish.
Optional—White nickel or chrome finish.
- **Internal-tooth Lockwasher:** Phosphor bronze, white nickel
finish.
- **Terminals:** Brass, hot tinned, with elongated slot.

How to designate the Three Digit Part Number Suffix (-XXX)

Finish	Resistor	Hardware
1 — white nickel	0 — none	1 — brass
2 — black nickel		3 — water tight on face of panel
3 — polished chrome		

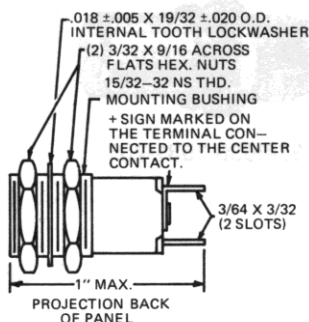
Example: 137-7236-0931-101 (white nickel finish,
no resistor, brass hardware).

MOUNT IN 15/32" CLEARANCE HOLE
FRONT OR BACK OF PANEL INSERTION
WITH MOVABLE FLANGE



137-7236-0931-201

FRONT OR BACK MOUNTING



Max. panel thickness 1/4"

137 SERIES

BASE PART NUMBERS

CAP PART NUMBERS		COMPLETE ASSEMBLY PART NUMBERS	
<p>STOVEPIPE 137-0931 transparent</p>		137-7236-0931-201	
<p>CYLINDRICAL 137-1531 transparent</p> <p>For legends on flat faced lens, see page P.</p>		137-7236-1531-201	

Part numbers shown in gray are normally
in inventory at your Dialight Distributor.