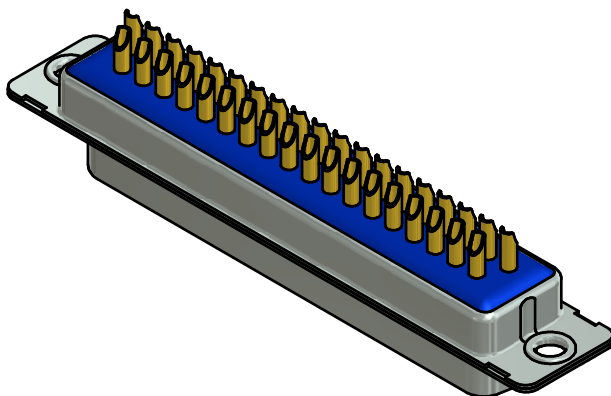
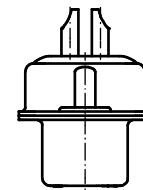
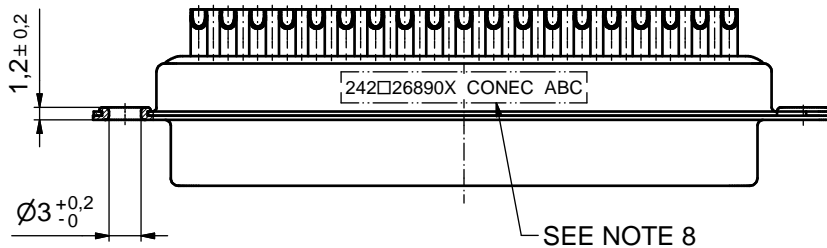
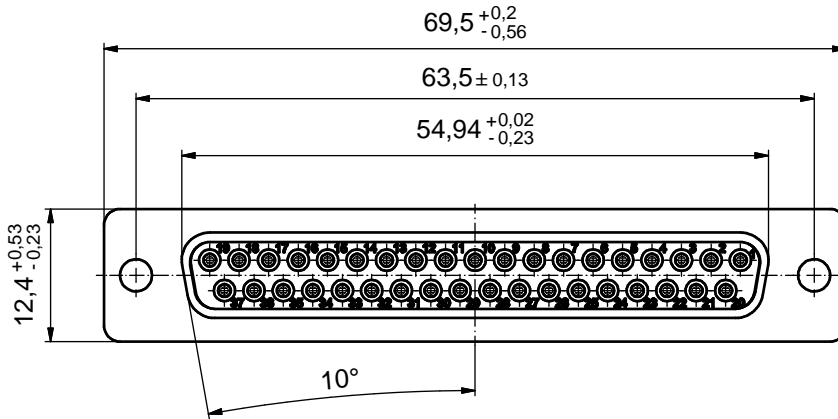
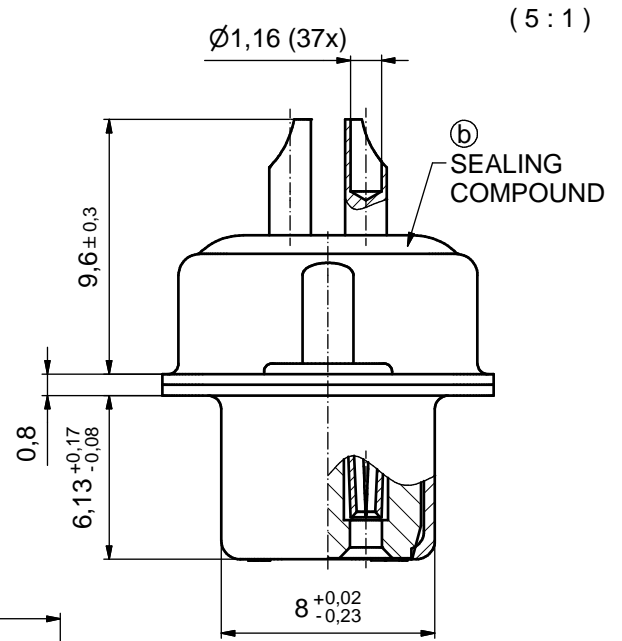


Solder Instruction

1. Cable should be prepared for soldering. The cable/wires must be pretinned.
2. Insert cable/wire into solder cup
3. Operate the soldering iron at 350°C, 50 Watt max. and use a pencil tip.
4. Apply some solder to the solder tip of the soldering iron.
5. Put tip to wire in solder cup
6. After 1 second bring in solder.
7. Heat for 3 seconds longer. Do not heat contact more than 6 seconds in total.
8. Remove soldering iron.
9. Wait until solder gets rigid again.
10. Do not solder adjacent contacts consecutively, alternate position within the connector to minimize heat build up.



NOTES:

1. RoHS COMPLIANT
2. METALSHELLS: STEEL; min. 315µm TIN over 40-80µm NICKEL
3. INSULATOR: HIGH TEMPERATURE PLASTIC UL 94 V-0; BLACK
4. CONTACTS: COPPER ALLOY; PLATING (SEE PART-NO.):
 - PLEASE ADD A for GOLD FLASH over NICKEL (PREFERRED TYPE)
 - PLEASE ADD B for 20µm HARD GOLD over min. 50µm NICKEL
 - PLEASE ADD C for 30µm HARD GOLD over min. 50µm NICKEL
5. SEALING COMPOUND: PUR; BLUE
6. CAPACITANCE: 1300 pF ± 20%
7. DIELECTRIC WITHSTANDING VOLTAGE: 424 VDC
8. CONNECTOR IS PART MARKED: 242□26890X CONEC ABC (see note 4)

RoHS compliant

THIS DRAWING MAY NOT BE COPIED OR REPRODUCED IN ANY WAY, AND MAY NOT BE PASSED ON TO A THIRD PARTY WITHOUT WRITTEN PERMISSION. OWNERSHIP AND COPYRIGHT OF CONEC GmbH DO NOT ALTER CAD DRAWING BY HAND	tolerance		dim. in mm		scale: 2:1 (5:1)		
					material: SEE NOTES		
			date		title:		
			name		D-SUB C-FILTER FEMALE		
		drawn 24.05.16		37pos. SOLDER CUP			
		appd. 25.05.16					
		norm DIN 41652					
		d-old 24K1A757		dwg no:			
3 x b		Ä6143	24.05.2016	Lehm.	DIN-A3		
a		Original			sh: 1		
rev. description		date	name			part no: 242□26890X (see note 4)	
						(b) 24K1A1698	