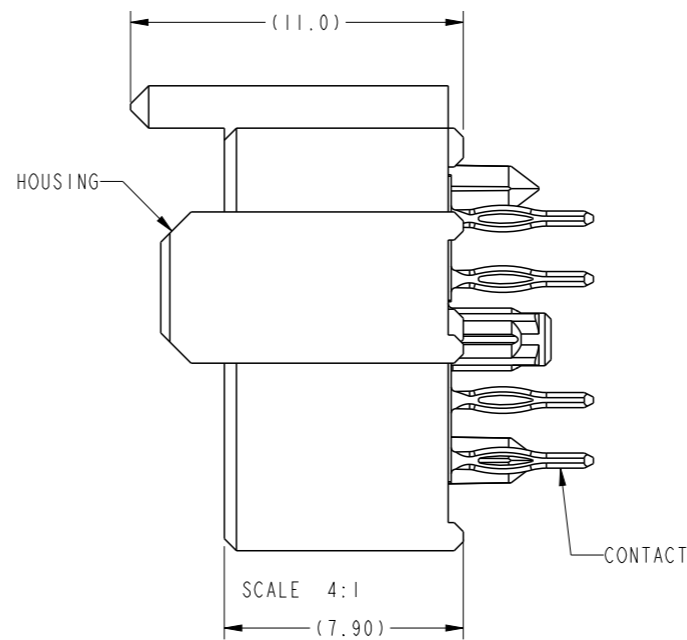
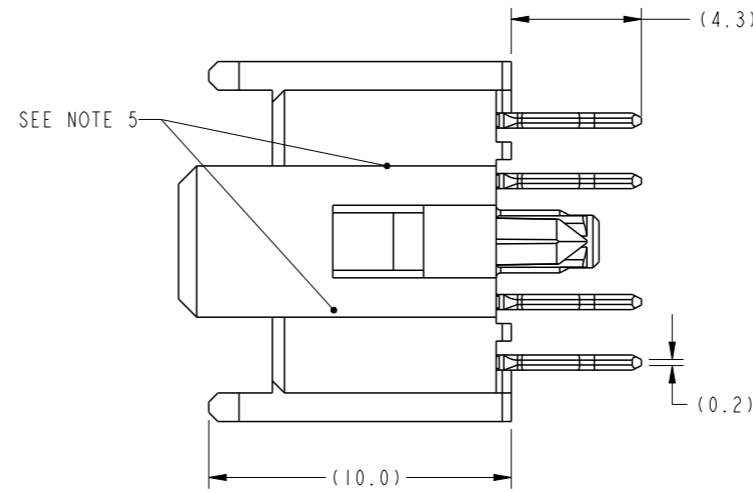
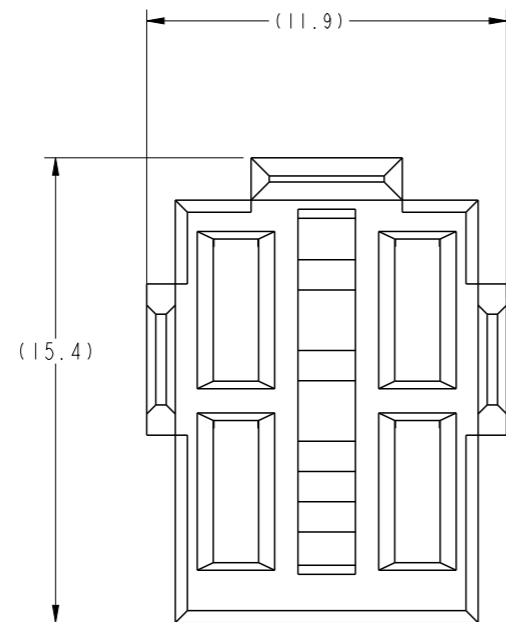
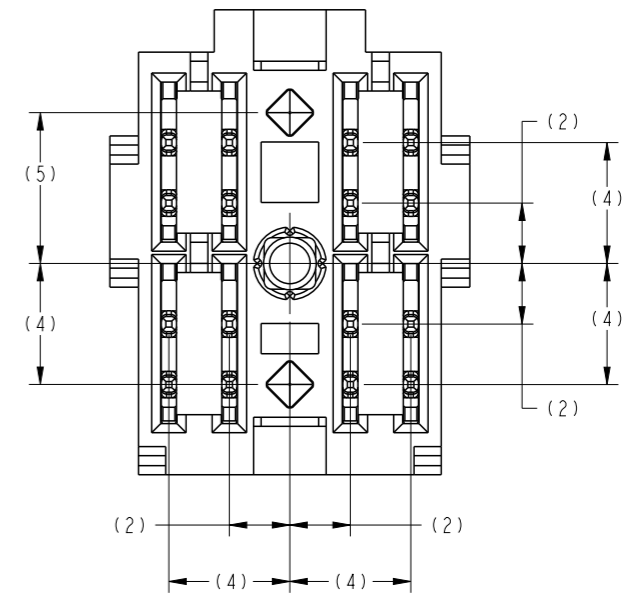


| PRODUCT NUMBER | EQUIVALENT METRAL SIGNAL HEADER PIN LENGTH | ROHS COMPATIBILITY |
|------------------|--|--------------------|
| 10009536-001 | 8.0 | N/A |
| 10009536-002 | 6.5 | N/A |
| 10009536-003 * | 5.0 | N/A |
| 10009536-001LF | 8.0 | SEE NOTE 9 |
| 10009536-002LF | 6.5 | SEE NOTE 9 |
| 10009536-003LF * | 5.0 | SEE NOTE 9 |

* SEE NOTE 7



SCALE 4:1

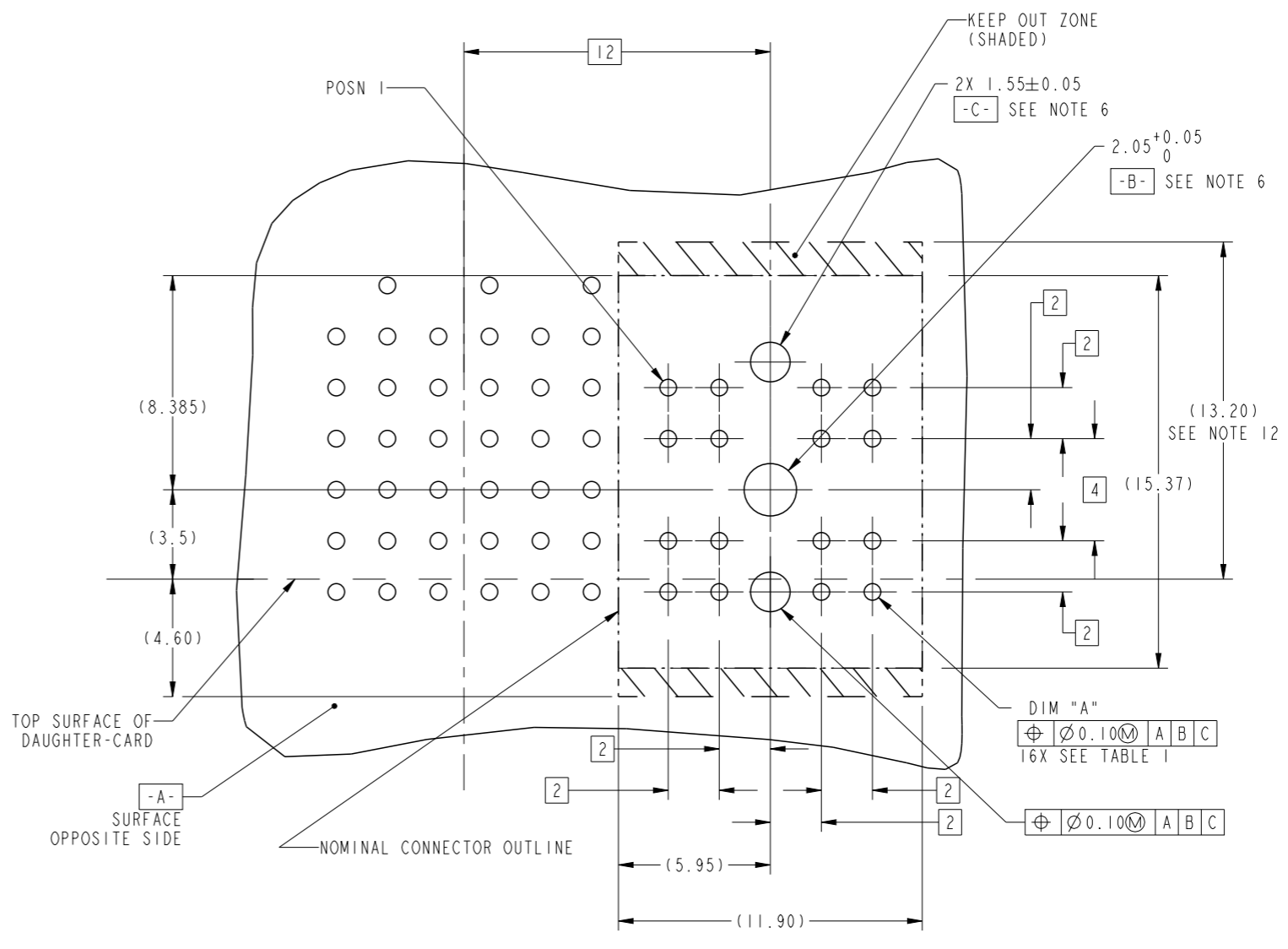


| | | | | | | | | | | | | | | | | | | | | | | |
|---------------|--|-------------|---------------|------------|---|------|--------------|---------------|-----------|----------|----------------|--------------|-----|------|---------------|------------|--|--|--------|----------|-----|---|
| spec ref | - | dr | Chen-Hong Tan | 2005/08/03 | projection | mm | size | A3 | scale | 3:1 | | | | | | | | | | | | |
| tolerance std | TOLERANCES UNLESS OTHERWISE SPECIFIED | eng | Suzie Nah | 2013/12/25 | | | ecn no | ELX-S-16550-1 | rel level | Released | | | | | | | | | | | | |
| - | | chr | - | - | | | | | | | product family | 2mm HI POWER | | | | | | | | | | |
| surface | <table border="1"> <tr> <td>linear</td> <td>0.X</td> <td>±.3</td> </tr> <tr> <td></td> <td>0.XX</td> <td>±.1</td> </tr> <tr> <td></td> <td>0.XXX</td> <td>±.051</td> </tr> <tr> <td>angular</td> <td>0°</td> <td>±2°</td> </tr> </table> | linear | 0.X | ±.3 | | 0.XX | ±.1 | | 0.XXX | ±.051 | angular | 0° | ±2° | appr | Chen-Hong Tan | 2014/01/14 | | | dwg no | 10009536 | rev | J |
| linear | 0.X | ±.3 | | | | | | | | | | | | | | | | | | | | |
| | 0.XX | ±.1 | | | | | | | | | | | | | | | | | | | | |
| | 0.XXX | ±.051 | | | | | | | | | | | | | | | | | | | | |
| angular | 0° | ±2° | | | | | | | | | | | | | | | | | | | | |
| ASME Y14.5 | | www.fci.com | cat. no. | - | RECEPTACLE ASSEMBLY, PRESS-FIT, METRAL VERSION | | sheet 1 of 2 | | | | | | | | | | | | | | | |



Copyright FCI.

| TOP LAYER DESCRIPTION | TABLE I PLATED THROUGH-HOLE REQUIREMENTS | | | | | | | |
|-----------------------|---|------------------|--------------------|------------------|--------------------|--------------------|---------------------|----------------------------------|
| | DRILLED HOLE DIAMETER | COPPER THICKNESS | TIN-LEAD THICKNESS | NICKEL THICKNESS | GOLD THICKNESS | TIN-LEAD THICKNESS | SILVER THICKNESS | FINISHED HOLE DIAMETER (DIM "A") |
| TIN-LEAD | 0.81-0.86 (0.85 DRILL) | 0.025 - 0.050 | 0.005 - 0.015 | -- | -- | -- | -- | 0.65 - 0.80 |
| IMMERSION TIN | 0.81-0.86 (0.85 DRILL) | 0.025 - 0.050 | -- | -- | -- | 0.9 - 1.5 μ m | -- | 0.70 - 0.80 |
| IMMERSION SILVER | 0.81-0.86 (0.85 DRILL) | 0.025 - 0.050 | -- | -- | -- | -- | 0.15 - 0.65 μ m | 0.70 - 0.80 |
| COPPER (SEE NOTE 11) | 0.81-0.86 (0.85 DRILL) | 0.025 - 0.050 | -- | -- | -- | -- | -- | 0.70 - 0.80 |
| GOLD | 0.81-0.86 (0.85 DRILL) | 0.025 - 0.050 | -- | 0.003 - 0.007 | FLASH UP TO 0.0002 | -- | -- | 0.69 - 0.80 |



SCALE 4:1
RECOMMENDED PCB LAYOUT,
COMPONENT SIDE
(SHOWN BESIDE A 5 ROW METRAL 1000 HEADER)

- NOTES:
- CONNECTOR MATERIALS:
HOUSING: HIGH TEMPERATURE THERMOPLASTIC, BLACK,)
UL94V-0 COMPLIANT.
CONTACT: HIGH PERFORMANCE COPPER ALLOY
 - CONTACT PLATING:
PRESS-FIT TAIL: 0.5-1.5 μ m TIN-LEAD OVER NICKEL (LEADED)
: 0.5-1.5 μ m MATTE TIN OVER NICKEL (LEAD FREE)
SEPARABLE INTERFACE: 0.76 μ m MIN GXT OVER NICKEL \triangle
 - PRODUCT SPECIFICATION: GS-12-220
 - APPLICATION SPECIFICATION: GS-20-023
 - PRODUCT MARKING (PRODUCT NUMBER & LOT CODE)
ON THESE SURFACES.
 - INDICATED HOLES ARE UNPLATED.
 - 003 AND -003LF WILL NOT BE TOOLED INITIALLY.
 - "LF" SUFFIX DENOTES LEAD FREE PLATING.
 - PRODUCT MEETS EUROPEAN UNION DIRECTIVES
AND OTHER COUNTRY REGULATIONS AS DESCRIBED
IN FCI SPECIFICATION GS-22-008.
 - PACKAGING MEETS FCI SPECIFICATION GS-14-920.
 - COPPER PLATING THICKNESS AT CENTER OF VIA HOLE
CAN BE NO MORE THAN 0.003 LESS THAN OTHER AREAS.
 - KEEPOUT AREA CORRESPOND TO MATING HEADER OUTLINE
WITH 13.2MM HEIGHT ABOVE TOP SURFACE OF DAUGHTER CARD
AND 4.60MM BELOW TOP SURFACE OF DAUGHTER CARD
 - A \triangle SYMBOL WILL BE NEXT TO ANY DIMENSION, VIEW,
OR NOTE WHICH HAS BEEN MODIFIED WITH THE CURRENT
DRAWING REVISION

| | | | | | | | | | | | | | | | | | | | | |
|---------------|--|-------------|---------------|---|------------|----------|--------------|---------------|-----------|----------|---------|----|-----|------|---------------|------------|----------------|--------|-----------|----------|
| spec ref | - | dr | Chen-Hong Tan | 2005/08/03 | projection | mm | size | A3 | scale | 3:1 | | | | | | | | | | |
| tolerance std | TOLERANCES UNLESS OTHERWISE SPECIFIED | eng | Suzie Nah | 2013/12/25 | | | ecn no | ELX-S-16550-1 | rel level | Released | | | | | | | | | | |
| - | | chr | - | - | | | | | | | | | | | | | | | | |
| surface | <table border="1"> <tr> <td>linear</td> <td>0.X</td> <td>±.3</td> </tr> <tr> <td></td> <td>0.XX</td> <td>±.1</td> </tr> <tr> <td></td> <td>0.XXX</td> <td>±.051</td> </tr> <tr> <td>angular</td> <td>0°</td> <td>±2°</td> </tr> </table> | linear | 0.X | ±.3 | | 0.XX | ±.1 | | 0.XXX | ±.051 | angular | 0° | ±2° | appr | Chen-Hong Tan | 2014/01/14 | product family | XXXXXX | rel level | Released |
| linear | 0.X | ±.3 | | | | | | | | | | | | | | | | | | |
| | 0.XX | ±.1 | | | | | | | | | | | | | | | | | | |
| | 0.XXX | ±.051 | | | | | | | | | | | | | | | | | | |
| angular | 0° | ±2° | | | | | | | | | | | | | | | | | | |
| ASME Y14.5 | | | | RECEPTACLE ASSEMBLY, PRESS-FIT, METRAL VERSION | dwg no | 10009536 | rev | J | | | | | | | | | | | | |
| | | www.fci.com | cat. no. | | | | sheet 2 of 2 | | | | | | | | | | | | | |

Copyright FCI.