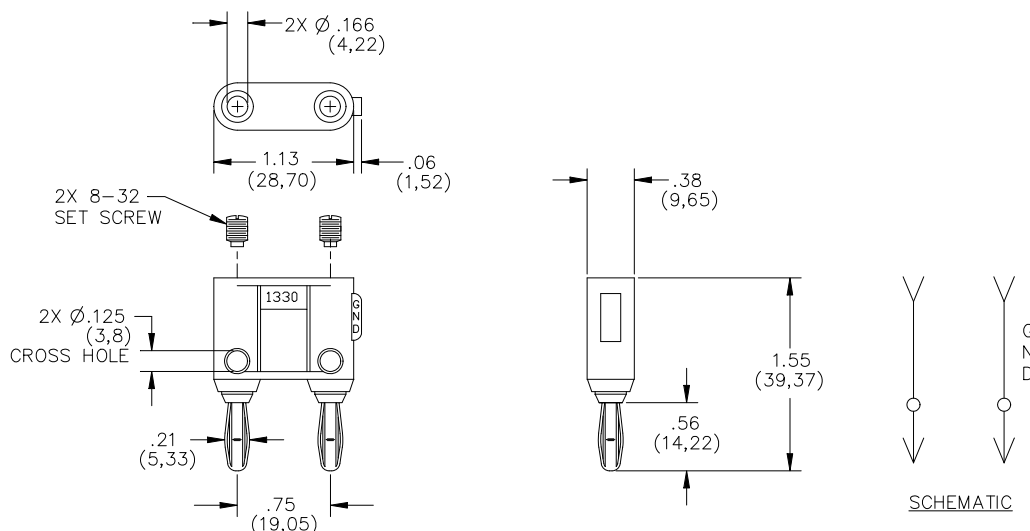


**Model 1330**  
**Double Banana Plug with Component Mounting Area**



**Model 1330**  
**Double Banana Plug with**  
**Component Mounting Area**

**Features**

- Features a recessed area for mounting small discrete components with set screws.
- For test versatility, banana plugs can be vertically and horizontally stacked to the adapter.
- The banana plug features nickel plated beryllium copper for tarnish resistance & long insertion life.

**Materials**

*Banana Plugs/Jacks:*

- Body: Brass, Nickel Plated
- Spring: Beryllium Copper, Nickel Plated

*Insulation:*

- Material: Polypropylene molded to Banana Jack and Banana Plug bodies.

- Marking: "1330, POMONA ELECTRONICS CO., INC, POMONA CALIFORNIA"

- Set Screws: #8-32 Single Slot, Steel, Zinc Plated

**Specifications**

**Operating Voltage:**

Hands free usage in controlled voltage environments: 5000 Vrms maximum.

*For CE compliance:* not intended for hand-held use at voltages above 33 Vrms/70 Vdc.

Operating Temperature: +50°C (+122°F) Max.

Current: 15 Amperes

**Ordering Information**

Model: 1330-\*

\*=Color, Standard Colors: -0 (Black), -2 (Red)

*Ordering Example:* 1330-2 (Color is Red)

**USA:** Sales: 800-490-2361  
Technical Support: [technicalsupport@pomonatest.com](mailto:technicalsupport@pomonatest.com)  
Fax: 425-446-5844

**Europe:** 31-(0) 40 2675 150 **International:** 425-446-5500

**Where to Buy:** [www.pomonaelectronics.com](http://www.pomonaelectronics.com)

All dimensions are in inches. Tolerances (except noted): .xx = ±.02" (.51 mm), .xxx = ±.005" (.127 mm). All specifications are to the latest revisions. Specifications are subject to change without notice. Registered trademarks are the property of their respective companies.