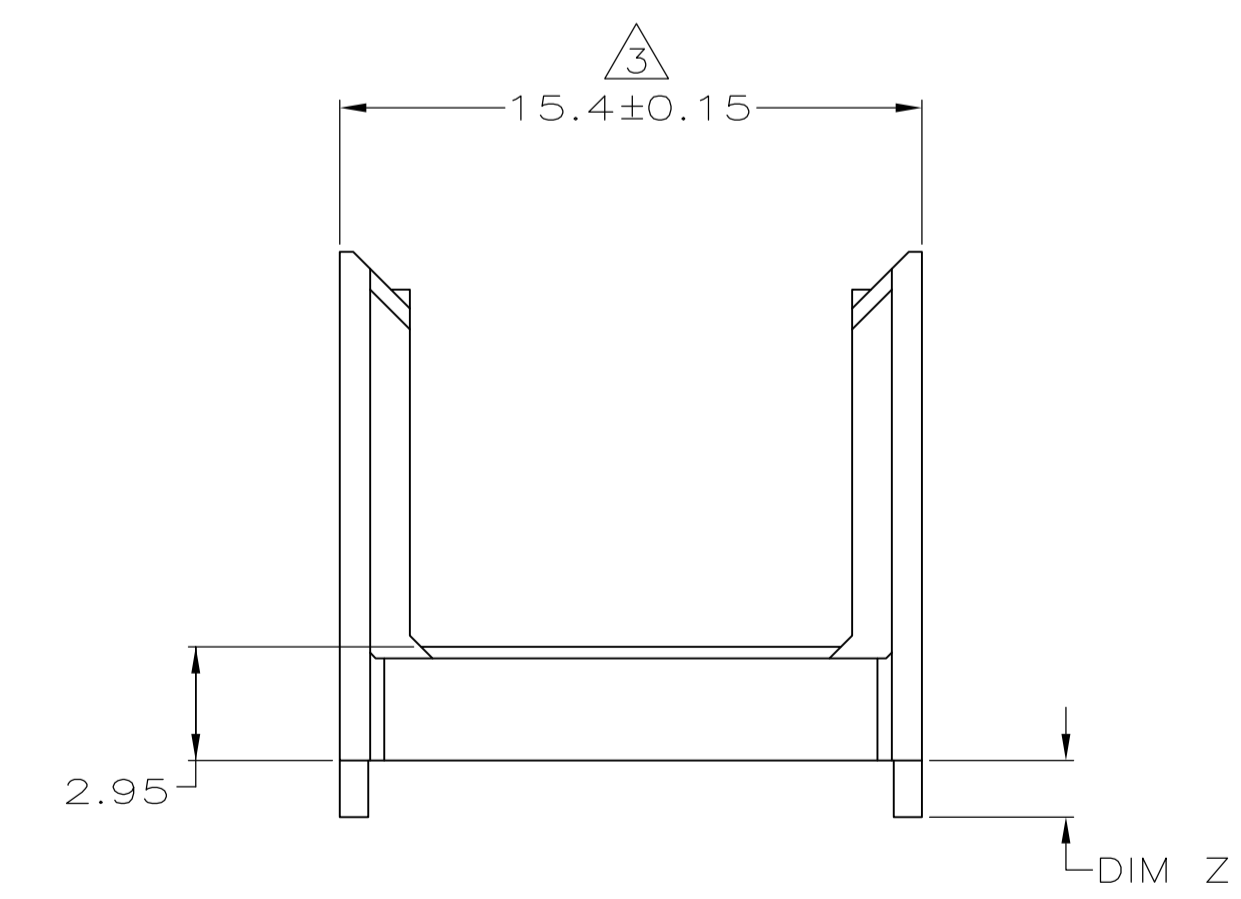
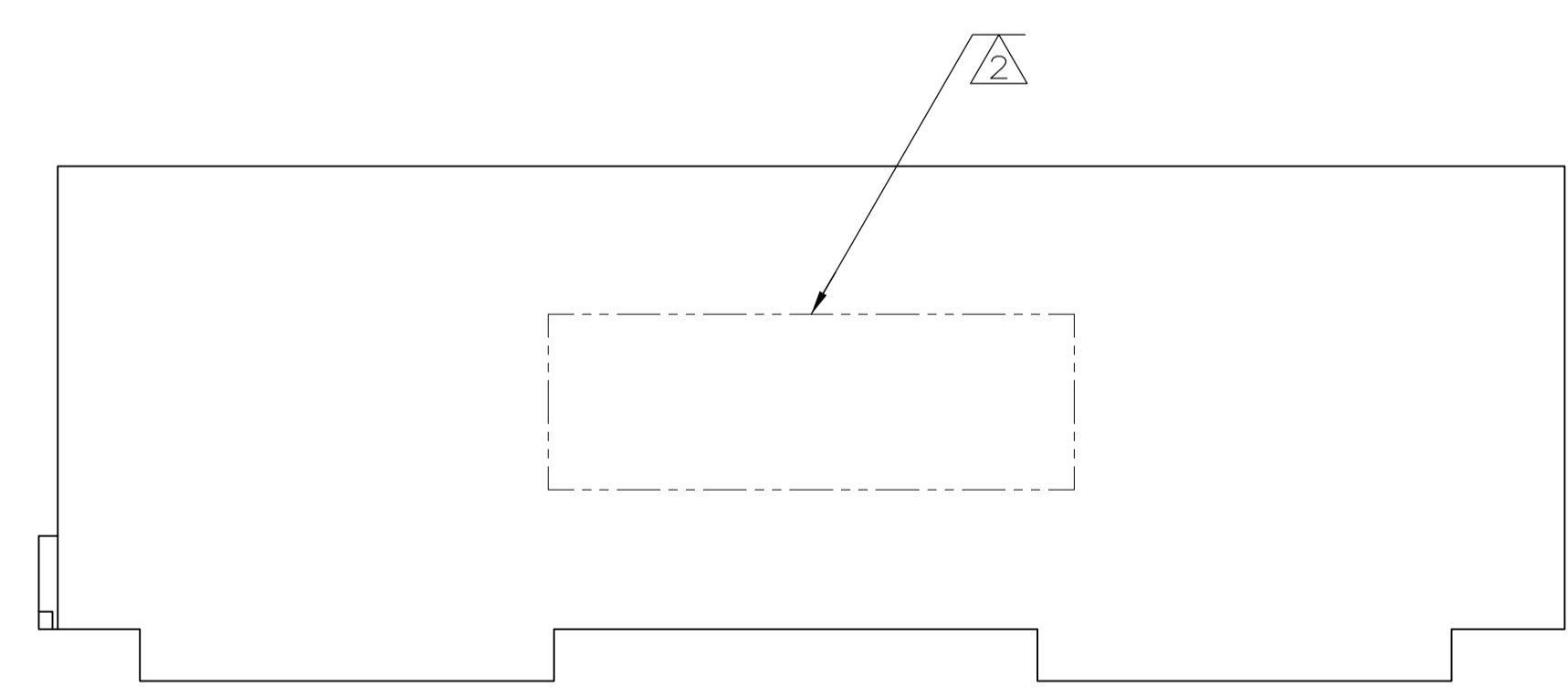
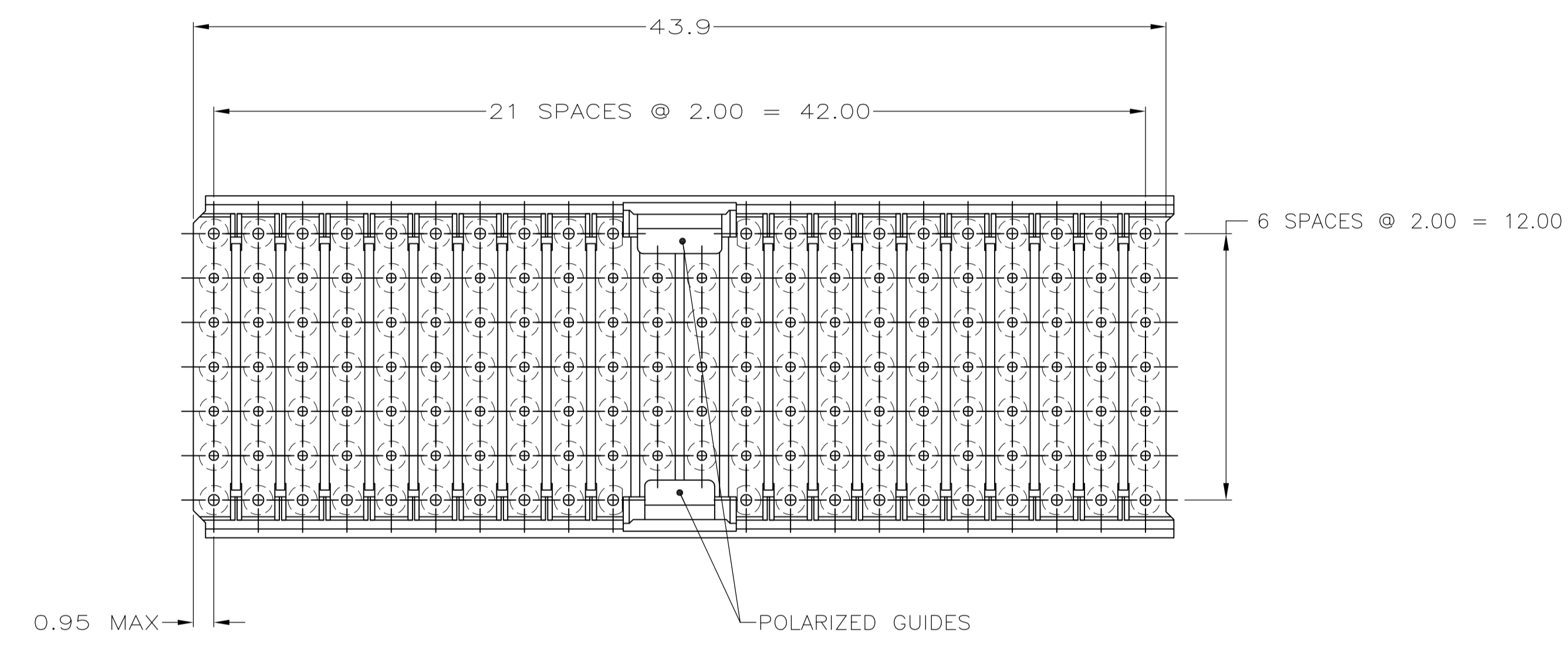
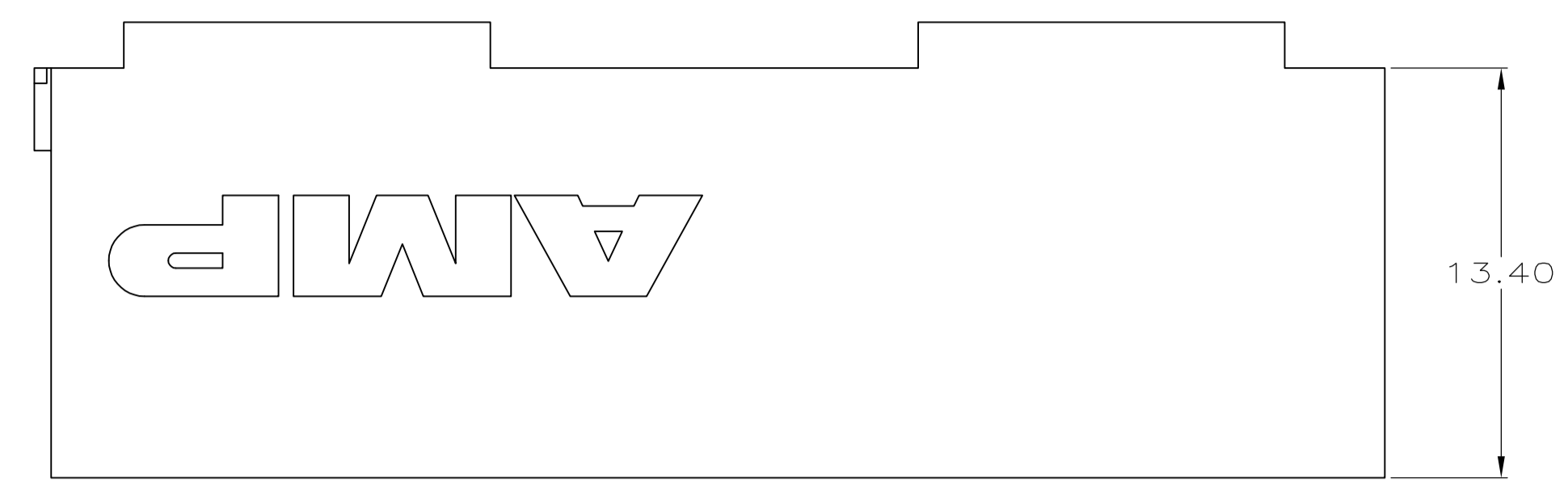


LOC	DIST	REVISIONS				
AD	47	REV	DESCRIPTION	DATE	DWN	APVD
		C	REV PER EC OU1B-0192-01	27 JUN 01	BC	RP
		C1	REVISED PER ECO-10-000443	15JAN10	KK	AEG
		D	ECR-10-019054	15SEP10	DP	MQW

- ⚠ MATERIAL: GLASS FILLED POLYESTER.
- ⚠ PART NUMBER MARKED IN APPROXIMATE AREA SHOWN.
- ⚠ TO BE MEASURED AT BASE OF SHROUD.
- ⚠ OBSOLETE PARTS: OBSOLETE CIS STREAMLINING PER D.RENAUD/D.SINIS



⚠ OBSOLETE	1.90	646484-7
	1.70	646484-6
	1.50	646484-5
	1.30	646484-4
⚠ OBSOLETE	1.10	646484-3
	0.90	646484-2
		646484-1
	DIM Z	PART NUMBER

THIS DRAWING IS A CONTROLLED DOCUMENT.

DIMENSIONS: mm	TOLERANCES UNLESS OTHERWISE SPECIFIED:	DWN: T. SHUEY 6-9-98	CHK: G. SKIPPER 11-23-98	AMP Incorporated Harrisburg, PA 17105-3608
0-PLC ±	±0.2	APVD: G. SKIPPER 11-23-98	NAME: SHROUD,A-B,Z-PACK 2mm HM,5 ROW, 150 POSITION,WITH GUIDE	
1-PLC ±0.1	±0.2	APPLICATION SPEC	SIZE: CAGE CODE: DRAWING NO: A100779	RESTRICTED TO: -
2-PLC ±0.05	±0.2	WEIGHT: -	SCALE: 5:1	SHEET 1 of 1
3-PLC ±	±	CUSTOMER DRAWING		REV 0
4-PLC ±	±			
ANGLES ±	±			
MATERIAL: ⚠	FINISH: -			