

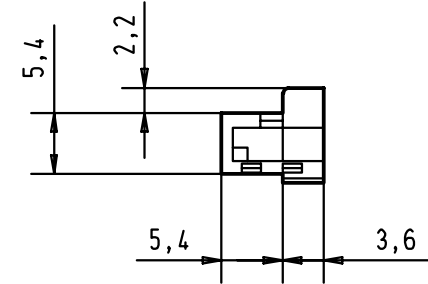
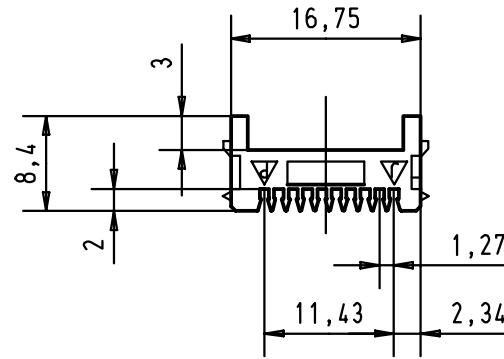
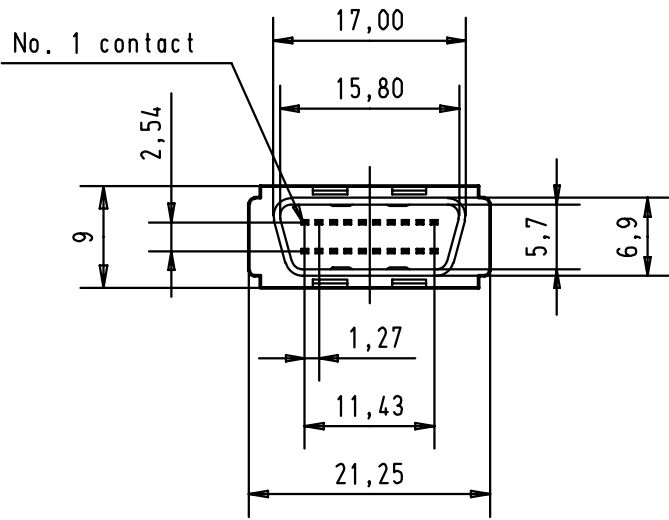
5

4

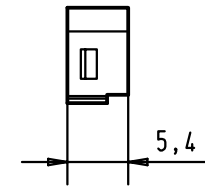
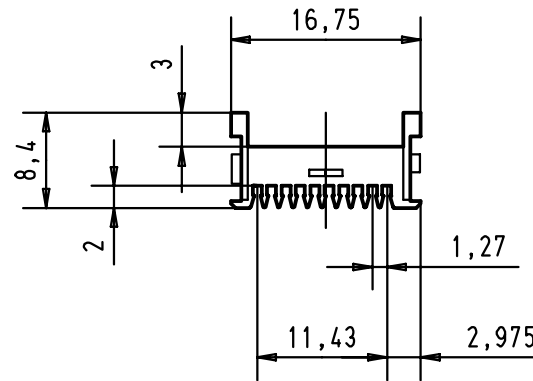
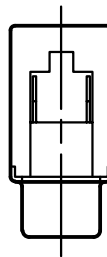
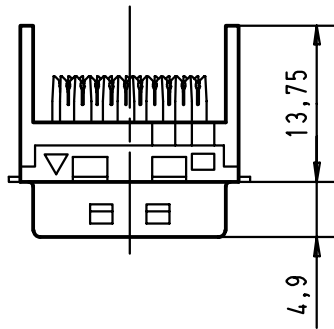
3

2

1



COVER 1

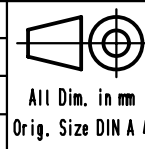


COVER 2

60 03 020 5220
60 03 020 5210
60 03 020 5200

0,80 to 0,88
0,65 to 0,80
0,50 to 0,65

	Dat.	Name
Detail.	30-AUG-00	Alsplace
Insp.		
Stand.		



har.mik® I/O pin/socket
IDC male 20 poles connector

Maßstab/
Scale
1,5:1

Part-No.

cable insulator ϕ

27941	30-AUG-00	Alsplace
Mod.	Dat.	Name

HARTING EURL
F-95972 Paris



TB 60 03 020 52X0
Sub.

Blatt/ Page
1 / 1