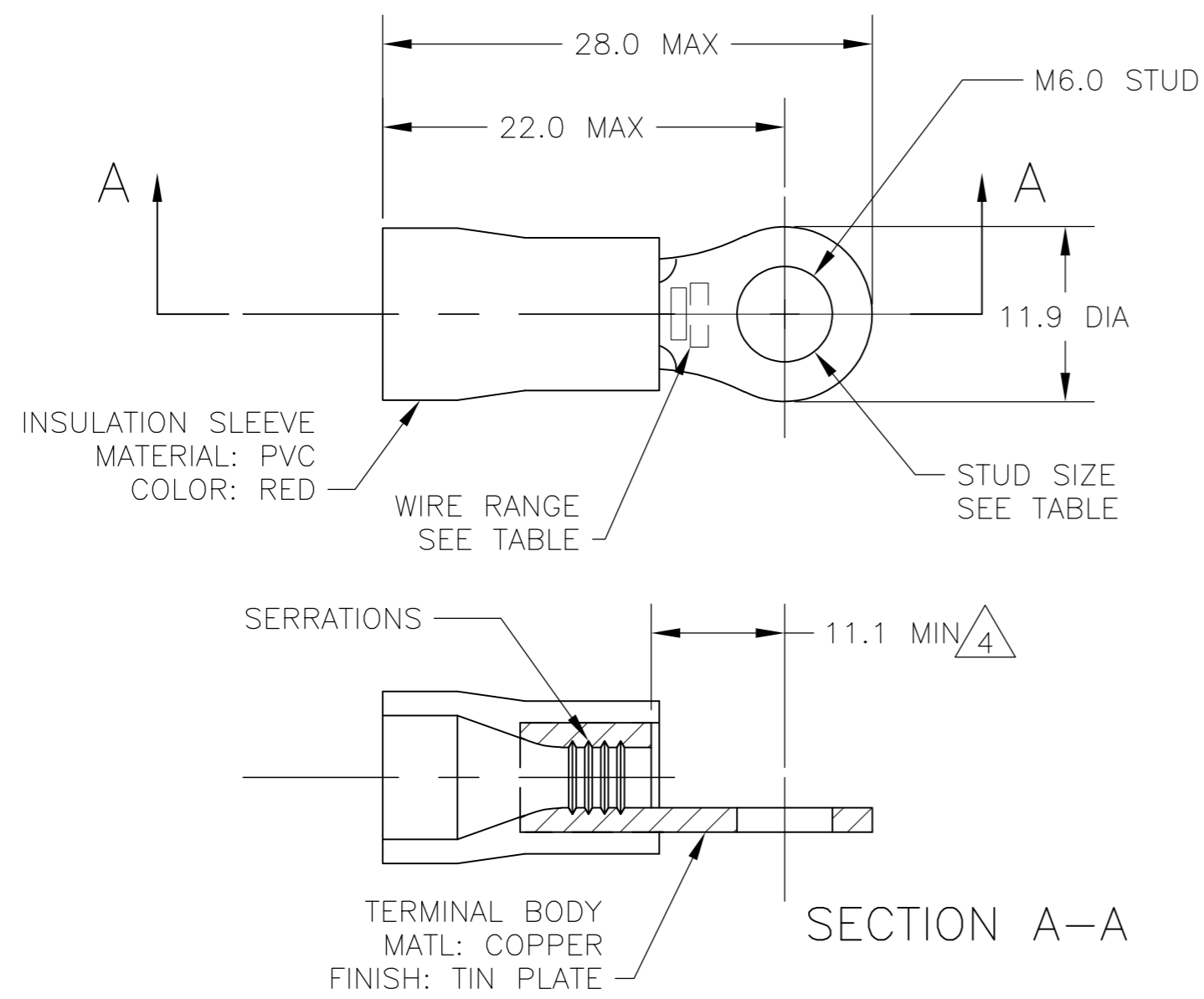


THIS DRAWING IS UNPUBLISHED. RELEASED FOR PUBLICATION  
 © COPYRIGHT BY TYCO ELECTRONICS CORPORATION. ALL RIGHTS RESERVED.

LOC	DIST	REVISIONS					
		P	LTR	DESCRIPTION	DATE	DWN	APVD
G	02		R2	REV PER ECR-07-011456	11JUN07	JR	TM



- 1 WIRE SIZE IS 22-16 AWG
- 2 WIRE INSULATION DIA: 2.7-3.6
- 3 MATERIAL THICKNESS IS 0.8
- 4 DIMENSION APPLIES FROM EDGE OF METAL WIRE BARREL TO END OF PIN.
- 5 SUPERSEDED BY 324105-1
- 6 OBSOLETE - NO REPLACEMENT

POLY BAG WITH HEADER	STANDARD	100	5	7-342105-1
PLASTIC BOX	STANDARD	100	5	6-342105-1
TAPED MOUNTED	STANDARD	5000	6	2-342105-1
PLASTIC BAG	STANDARD	100		342105-1
PACKAGING	LABELLING	QTY		PART NO

THIS DRAWING IS A CONTROLLED DOCUMENT.		DWN jr ruth	02DEC05	Tyco Electronics Corporation Harrisburg, PA 17105-3608	
DIMENSIONS: INCHES		CHK T MICHIELUTTI	02DEC05	NAME TERMINAL, RING TONGUE, PLASTI-GRIP,	
TOLERANCES UNLESS OTHERWISE SPECIFIED:		APVD T MICHIELUTTI	02DEC05	PRODUCT SPEC -	
0 PLC ± -		APPLICATION SPEC -		SIZE A2	
1 PLC ± 0.5		WEIGHT -		CAGE CODE 00779	
2 PLC ± -		CUSTOMER DRAWING		DRAWING NO 342105	
3 PLC ± -		SCALE 5:1		SHEET 1 of 1	
4 PLC ± -		REV R2		RESTRICTED TO -	
ANGLES ± 1°					
FINISH -					

342105