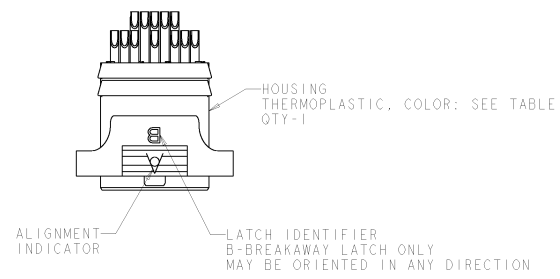
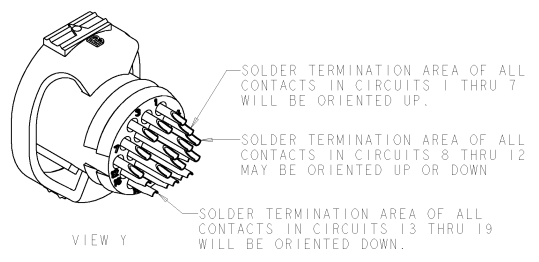
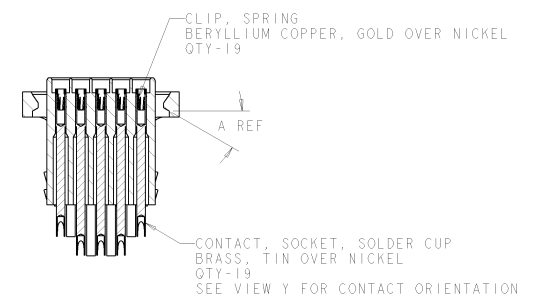
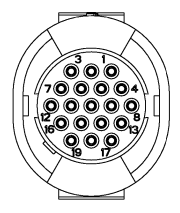
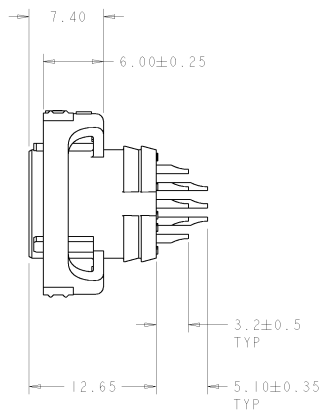
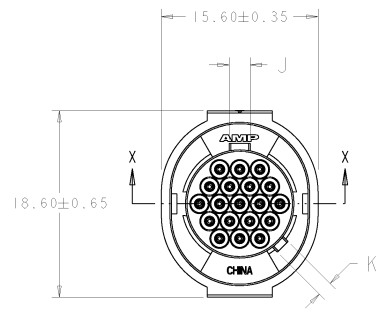


REV	DATE	REVISIONS		
		DESCRIPTION	DATE	DWG APP'D
0				
B	23JUN2004	REVISED EC 0030-0400-04	23JUN2004	SW HW



△ PRELIMINARY PART NUMBER



9	1-3, 9-11, 17-19	A	1.5	2.1	0°	POSITIVE	BLACK	2-1445782-1
19	ALL	B	2.1	1.5	0°	POSITIVE	BLACK	1-1445782-7
12	1-4, 7, 8, 12, 13, 16-19	A	1.5	2.1	30°	BREAKAWAY	WHITE	1-1445782-6 △
12	1-4, 7, 8, 12, 13, 16-19	A	1.5	2.1	0°	POSITIVE	BLACK	1-1445782-5 △
13	1-4, 7, 8, 10, 12, 13, 16-19	A	1.5	2.1	30°	BREAKAWAY	WHITE	1-1445782-4
13	1-4, 7, 8, 10, 12, 13, 16-19	A	1.5	2.1	0°	POSITIVE	BLACK	1-1445782-3 △
14	1-4, 7-9, 11-13, 16-19	A	1.5	2.1	30°	BREAKAWAY	WHITE	1-1445782-2 △
14	1-4, 7-9, 11-13, 16-19	A	1.5	2.1	0°	POSITIVE	BLACK	1-1445782-1
15	1-4, 7-13, 16-19	A	1.5	2.1	30°	BREAKAWAY	WHITE	1-1445782-0 △
15	1-4, 7-13, 16-19	A	1.5	2.1	0°	POSITIVE	BLACK	1445782-09 △
16	1-8, 12-19	A	1.5	2.1	30°	BREAKAWAY	WHITE	1445782-08 △
16	1-8, 12-19	A	1.5	2.1	0°	POSITIVE	BLACK	1445782-07 △
17	1-8, 10, 12-19	A	1.5	2.1	30°	BREAKAWAY	WHITE	1445782-06 △
17	1-8, 10, 12-19	A	1.5	2.1	0°	POSITIVE	BLACK	1445782-05 △
18	1-9, 11-19	A	1.5	2.1	30°	BREAKAWAY	WHITE	1445782-04 △
18	1-9, 11-19	A	1.5	2.1	0°	POSITIVE	BLACK	1445782-03 △
19	ALL	A	1.5	2.1	30°	BREAKAWAY	WHITE	1445782-02
19	ALL	A	1.5	2.1	0°	POSITIVE	BLACK	1445782-01

QTY	SELECT LOADED IN CIRCUITS	CODE	K	J	A	DESCRIPTION	HOUSING COLOR	PART NUMBER
CONTACTS		KEYING CONFIGURATION			LATCH CONFIGURATION			

DIMENSIONS: mm 	OPERATING TEMPERATURE: °C 0 PLC 2 PLC 4 PLC 6 PLC 8 PLC 10 PLC 12 PLC 14 PLC 16 PLC 18 PLC 20 PLC	DRAWING NO.: 0445782-001 DATE: 23JUN2004 REVISIONS: 0445782-001 DRAWN BY: J. DODDY CHECKED BY: J. BRADEN PRODUCT SPEC: 1445782-001 APPLICATION SPEC:	MATERIAL: SEE CALLOUT FINISH: SEE CALLOUT	DRAWN BY: J. DODDY DATE: 23JUN2004 REVISIONS: 0445782-001 DRAWN BY: J. BRADEN CHECKED BY: J. BRADEN PRODUCT SPEC: 1445782-001 APPLICATION SPEC:	SIZE: A CASE CODE: 00779 DRAWING NO.: 1445782 SCALE: 4:1 SHEET: 1 OF 1 REV: B	CUSTOMER DRAWING
-----------------------	---	--	--	---	--	------------------