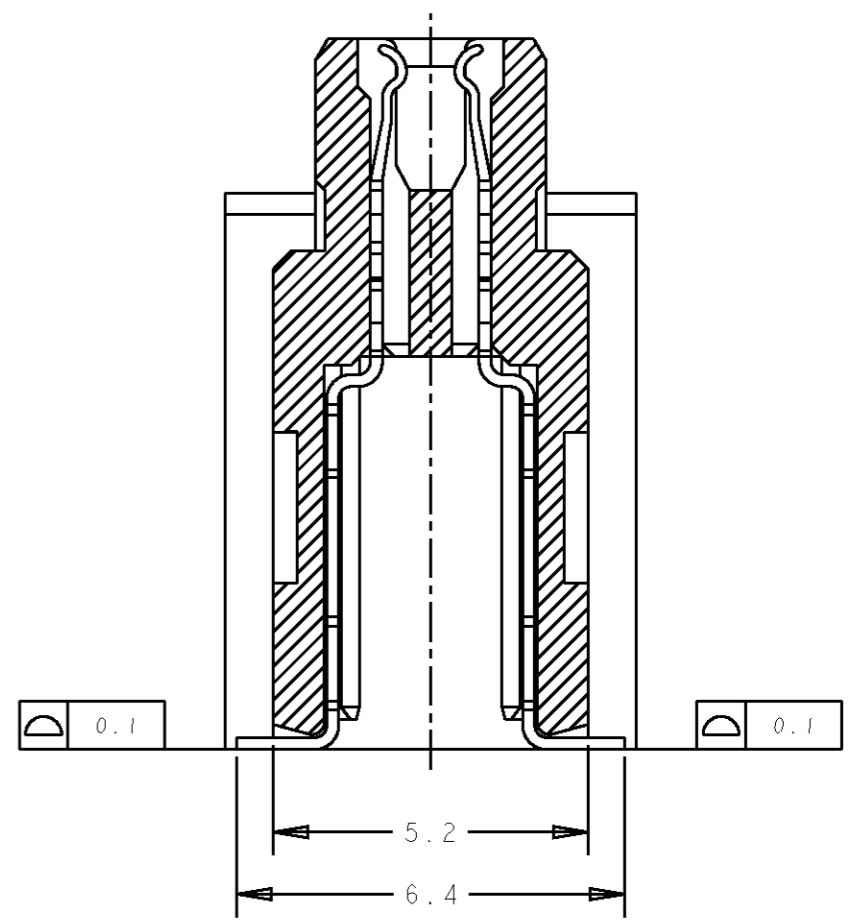
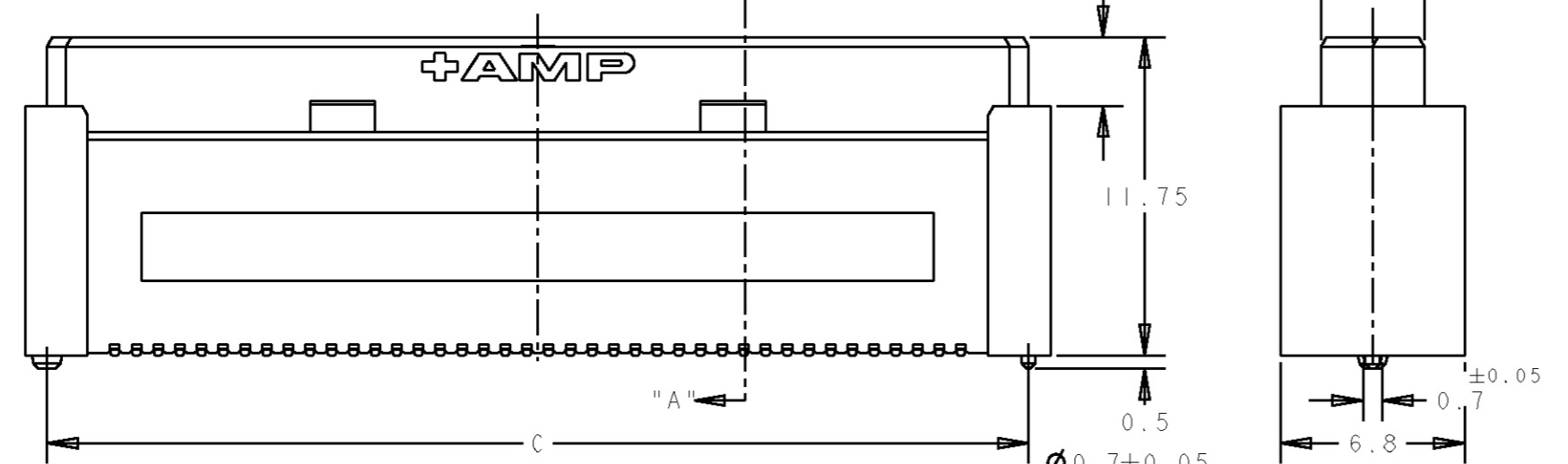
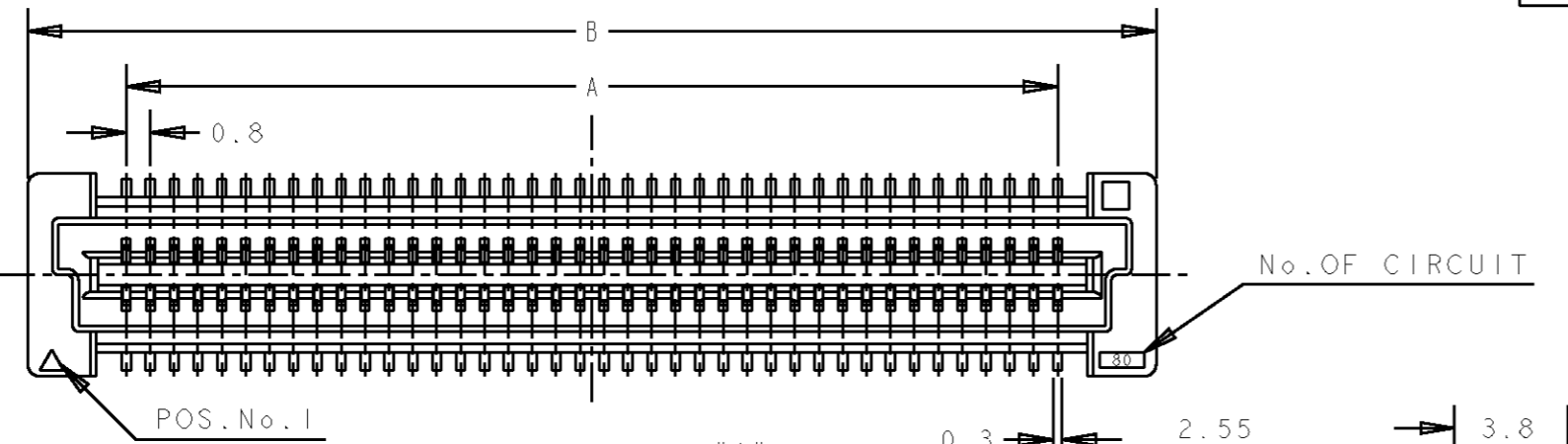


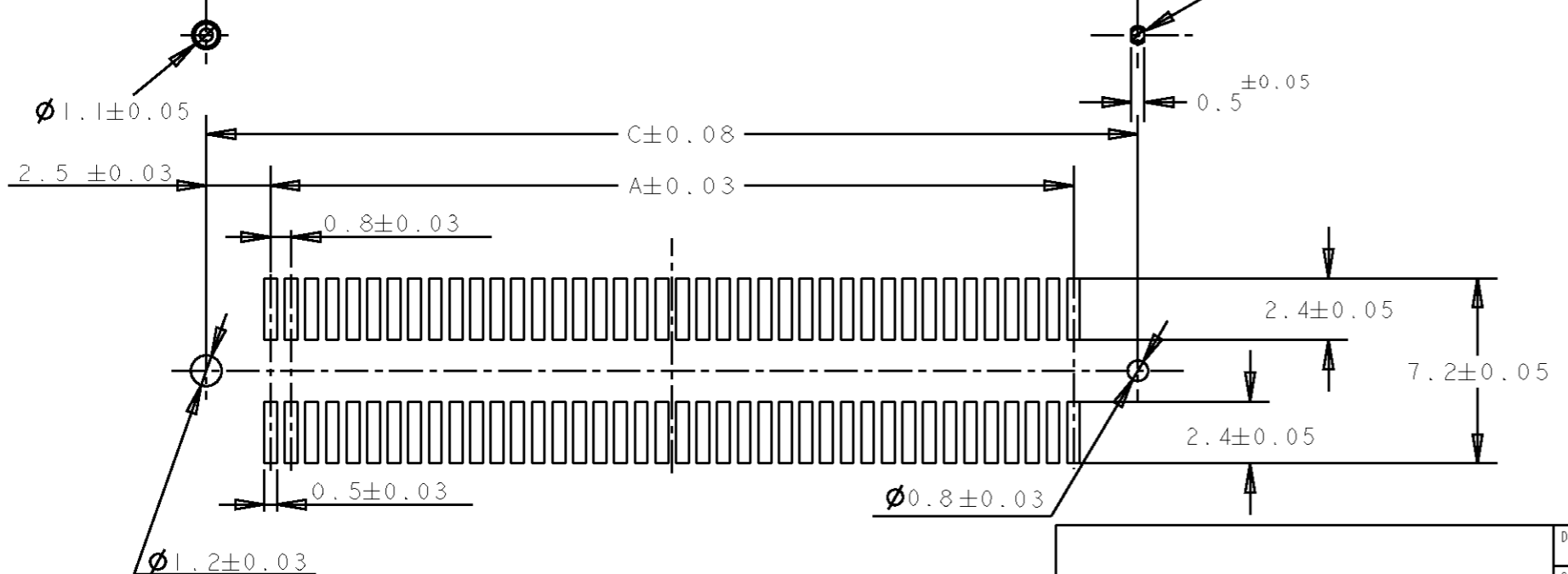
THIS DRAWING IS UNPUBLISHED. RELEASED FOR PUBLICATION .19 .
 BY - ALL RIGHTS RESERVED.

LOC DY	DIST -	REVISIONS		
P	LTR	DESCRIPTION	DATE	DWN APVD
P		REVISED PER ECO-11-005139	19MAR11	RK HMR



SECT "A" - "A"
(SCALE: 8-1)

- NOTES:
- △ MATERIALS:
HOUSING: L.C.P (HIGH TEMP THERMO-PLASTIC)
UL 94V-0, NATURAL.
CONTACT: COPPER ALLOY.
 - △ FINISH:
ENGAGEMENT AREA: 0.0002 MIN GOLD
SOLDERING AREA: 0.0020 MIN MATTE TIN
UNDERCOAT: 0.0013 MIN NICKEL ALL OVER
 - 3. POSITION SERIES; SEE TABLE. (SHEET 2)
 - 4. CONN STACK HEIGHT COMBINE OF PLUG "Y"H VS REC "X"H.
STACK HEIGHT = Y + X - 5
 - △ OBSOLETE PARTS: OBSOLETE CIS STREAMLINING PER D.RENAUD/D.SINISI



RECOMMENDED P.C. BOARD LAYOUT

DIMENSIONS: mm		TOLERANCES UNLESS OTHERWISE SPECIFIED:		DWN FLORENCE 16AUG04	STE TE Connectivity
		0 PLC ±- 1 PLC ±0.30 2 PLC ±0.25 3 PLC ±0.20 4 PLC ±- ANGLES ±3°		CHK ERIC TNG	
MATERIAL		FINISH		APVD SEIFONG	NAME RECEPTACLE ASSEMBLY 13H TYPE FOR FH 0.8mm PITCH B-T-B CONNECTOR
△		△		PRODUCT SPEC 108-5390	SIZE A3
				APPLICATION SPEC 114-5254	CAGE CODE 00779
				WEIGHT -	DRAWING NO C-5179010
CUSTOMER DRAWING				SCALE 4:1	SHEET 1 OF 2
				REV P	

PROJ NO. 593-312

A

4

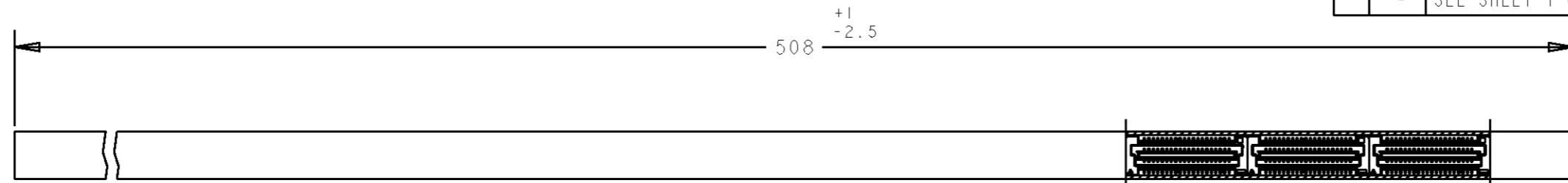
3

2

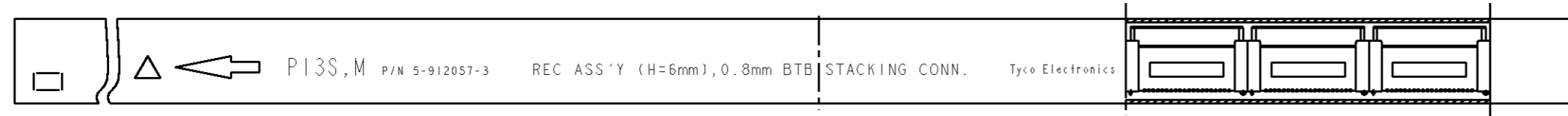
1

THIS DRAWING IS UNPUBLISHED. RELEASED FOR PUBLICATION .19 .
 BY - ALL RIGHTS RESERVED.

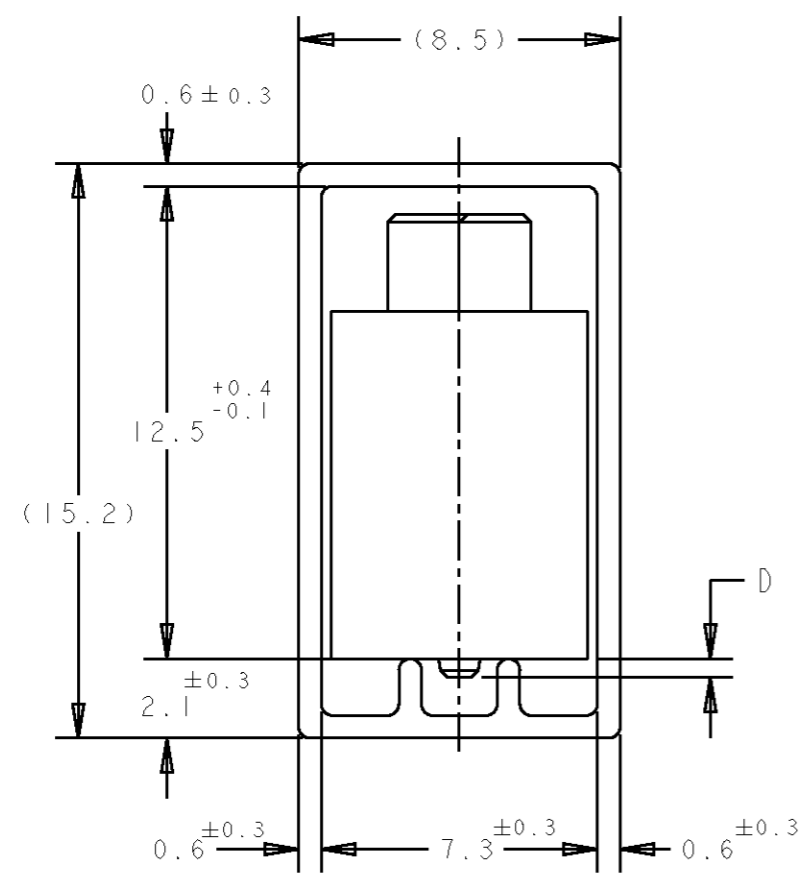
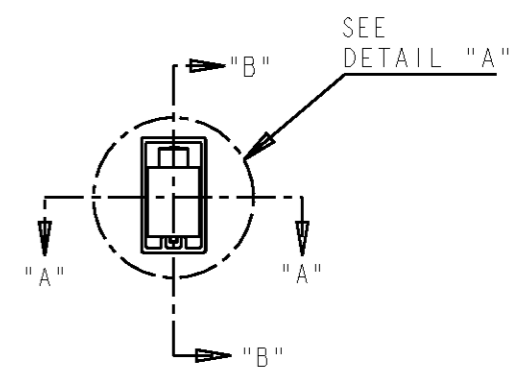
LOC	DIST	REVISIONS					
DY	-	P	LTR	DESCRIPTION	DATE	DWN	APVD
		-		SEE SHEET 1 OF 2	-	-	-



SECT "A"-"A"



SECT "B"-"B"



DETAIL "A"
(SCALE 5-1)

5 OBSOLETE

	84.20	85.80	79.20	200	6-	-0
	76.20	77.80	71.20	180	5-	-9
	68.20	69.80	63.20	160	5-	-8
	60.20	61.80	55.20	140	5-	-6
	52.20	53.80	47.20	120	5-	-5
	44.20	45.80	39.20	100	5-	-4
	36.20	37.80	31.20	80	5-	-3
	28.20	29.80	23.20	60	5-	-2
0.5	20.20	21.80	15.20	40	5-	-1
	84.20	85.80	79.20	200	1-	-0
	76.20	77.80	71.20	180		-9
	68.20	69.80	63.20	160		-8
	60.20	61.80	55.20	140		-6
	52.20	53.80	47.20	120		-5
	44.20	45.80	39.20	100		-4
	36.20	37.80	31.20	80		-3
	28.20	29.80	23.20	60		-2
0.8	20.20	21.80	15.20	40		5179010-1
D	C	B	A	POS.	PART No.	

DIMENSIONS: mm		TOLERANCES UNLESS OTHERWISE SPECIFIED:		DWN FLORENCE TAN 16AUG04		STE TE Connectivity	
		0 PLC ±-	1 PLC ±0.30	CHK ERIC TNG			
MATERIAL		2 PLC ±0.25	3 PLC ±0.20	APVD SEI FONG		SIZE A3	CAGE CODE 00779
		4 PLC ±-	ANGLES ±3°	PRODUCT SPEC 108-5390		DRAWING NO C-5179010	
		FINISH		APPLICATION SPEC 114-5254		SCALE 4:1	
				WEIGHT -		SHEET 2 OF 2	
				CUSTOMER DRAWING		REV P	